



# DCM-500B\_H


## SANITARY CUBELET ICE MACHINE/DISPENSER




DCM-500B\_H  
11/03/17  
Item # 13226

Item #: \_\_\_\_\_  
Project: \_\_\_\_\_  
Qty: \_\_\_\_\_  
AIA#: \_\_\_\_\_

### Features

- ▶ Durable stainless steel exterior
- ▶ Advanced CleanCycle24™ design 
- ▶ Stainless steel auger with greaseless bearing

- Up to 618 lbs. of ice production per 24 hours
- Built-in storage capacity of 1.3ft<sup>3</sup>/40 lbs.\*
- Every 12 hours, unit performs 20 minute purge to rid itself of impurities
- Corrosion resistant stainless steel exterior
- Easy to chew, cubelet ice
- Self-contained design reduces opportunities for cross contamination
- Protected by H-GUARD Plus Antimicrobial Agent 
- Dispenses ice and water
- R-404A Refrigerant

#### Warranty:

3 Year Parts & Labor on entire machine.  
5 Year Parts on Compressor; air-cooled condenser coil.  
Valid in United States, Canada, Puerto Rico and U.S. Territories. Contact factory for warranty in other countries.  
\*Rated in accordance with AHRI Standard 820(I-P). Capacity based on 100% of total volume x 30 lb/ft<sup>3</sup> average density of ice.

<b>W x D x H</b> 26" x 22 <sup>1</sup> / <sub>2</sub> " x 40"
<b>SD-450</b> 26 <sup>1</sup> / <sub>4</sub> " x 22" x 32 <sup>1</sup> / <sub>2</sub> "
<b>SD-500</b> 25 <sup>9</sup> / <sub>10</sub> " x 22" x 32 <sup>3</sup> / <sub>4</sub> "



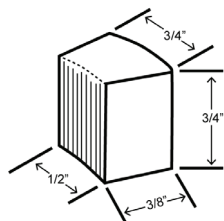
**DCM-500BAH**  
Air-Cooled  
Shown with optional  
SD-450 Stand

**DCM-500BWH**  
Water-Cooled



Condenser	Model	ICE PRODUCTION			WATER USAGE			ELECTRICAL			Heat Rejection BTU/hr.	Shipping Weight	ENERGY STAR®
		Air / Water Temp Lbs. per 24 hours 70°/ 50°F	90°/ 70°F	Type of Ice (Hardness Rating)	Potable Gal. per 100 lbs. 90°/ 70°F	Condenser Gal. per 100 lbs. 90°/ 70°F	kWh Used per 100 lbs. 90°/ 70°F	Max. Fuse Size or HACR Circuit Breaker	Amperage	Voltage			
Air-Cooled	DCM-500BAH	618	450	Cubelet (88)	12.0	N/A	5.62	20A	12.9A	115V/60/1	7,000	253 lbs.	
Water-Cooled	DCM-500BWH	590	512	Cubelet (88)	12.0	112	4.48	20A	12.6A	115V/60/1	6,000	253 lbs.	

### Cubelet Dimensions\*



\* approximate size in inches, image not to scale

### Operating Limits

- Ambient Temp Range 45 - 100°F
- Water Temp Range 45 - 90°F
- Water Pressure 10 - 113 PSIG
- Voltage Range 104 - 127V

### Service

- Allow 6" (15 cm) clearance at rear and sides for proper air circulation and ease of maintenance/ service should they be required. Allow 24" (61 cm) clearance at top to allow for removal of the auger.

### Plumbing

- Icemaker Water Supply Line: Minimum 1/4" Nominal ID Copper Water Tubing or Equivalent
  - Icemaker Drain Line: Minimum 3/4" Nominal ID Hard Pipe or Equivalent
- Water-Cooled Model (Lines Must Be Independent of Icemaker)
- Condenser Water Supply Line: Minimum 1/4" Nominal ID Copper Water Tubing or Equivalent
  - Condenser Drain/Return Line: Minimum 1/4" Nominal ID Hard Pipe (open drain system) or Copper Water Tubing (closed loop system) or Equivalent



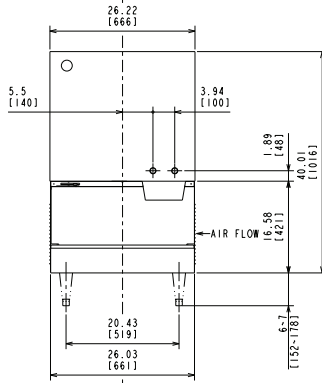
# DCM-500B\_H

## SANITARY CUBELET ICE MACHINE/DISPENSER

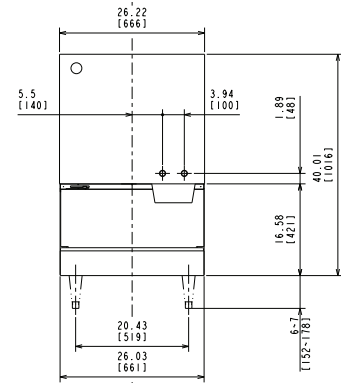


DCM-500B\_H  
11/03/17  
Item # 13226

FRONT VIEW



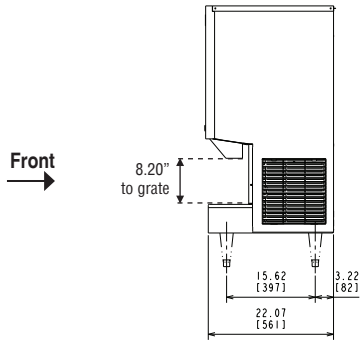
AIR-COOLED



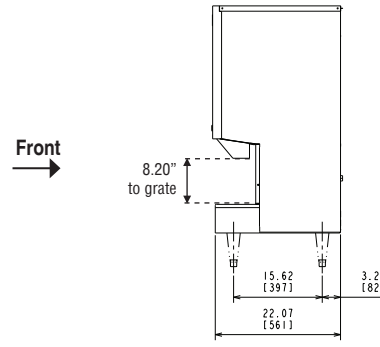
WATER-COOLED

inch  
[mm]

SIDE VIEW

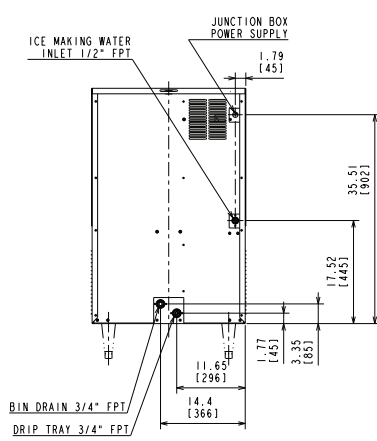


AIR-COOLED

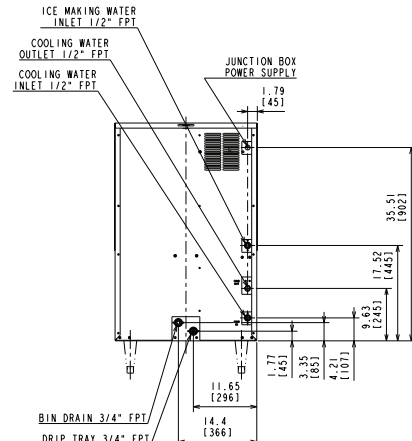


WATER-COOLED

REAR VIEW

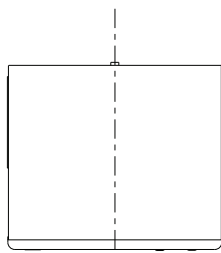


AIR-COOLED

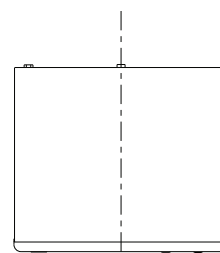


WATER-COOLED

TOP VIEW



AIR-COOLED



WATER-COOLED