



# F-2001M\_J(3)(-C)

## Modular Ice Machine



F-2001M\_J(3)(-C)  
06/01/18  
Item # 13255

**W x D x H**  
30" x 27<sup>1/2</sup>" x 34<sup>7/16</sup>"

**F-2001MWJ**  
Water-Cooled Flaker


**F-2001MRJ**  
Remote Air-Cooled Flaker 1-Phase  
Shown on optional bin B-700


**F-2001MRJ3**  
Remote Air-Cooled Flaker 3-Phase

**F-2001MRJ-C**  
Remote Air-Cooled Cubelet



## Features

- ▶ Durable stainless steel exterior
- ▶ Advanced CleanCycle24™ design 
- ▶ Stainless steel auger with greaseless bearing

- Flaker - Up to 2098 lbs. of ice production per 24 hours
- Cubelet - Up to 1832 lbs. of ice production per 24 hours
- Mount two units, side-by-side, in only 60" of floor space for double the amount of ice production
- 2-second flush cycle every hour
- Flush cycle removes sediment for cleaner ice
- Protected by H-GUARD Plus Antimicrobial Agent 
- R-404A Refrigerant

### Available on Bins:

**B-250PF B-700PF/SF B-900PF/SF B-1300SS B-1650SS\***  
**B-500PF/SF B-800PF/SF B-1150SS B-1500SS\***

*Top kit may be required. See Bin Spec Sheets. \*Two unit application only.*

### Warranty:

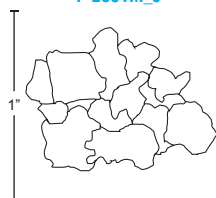
3 Year Parts & Labor on entire machine. 5 Year Parts on Compressor; air-cooled condenser coil. Valid in United States, Canada, Puerto Rico and U.S. Territories. Contact factory for warranty in other countries.

	Condenser	Model	ICE PRODUCTION		WATER USAGE			ELECTRICAL						
			Air / Water Temp Lbs. per 24 hours 70°/ 50°F	90°/ 70°F	Potable Gal. per 100 lbs. 90°/ 70°F	Condenser Gal. per 100 lbs. 90°/ 70°F	kWh Used per 100 lbs. 90°/ 70°F	Max. Fuse Size or HACR Circuit Breaker	Amperage	Voltage	Circuit Wires (including ground)	Heat Rejection BTU/hr.	Refrigerant Charge Amount	Net / Ship Weight (lbs.)
1 Phase	Water Flaker	F-2001MWJ	2043	1840	12.0	109	3.19	30A	16.4A	208-230V/60/1	4	19,500	2 lbs. 0.1 oz.	310 / 342
	Remote Flaker	F-2001MRJ	2073	1660	12.0	N/A	3.81	30A	19.9A	208-230V/60/1	4	16,500	8 lbs. 2.5 oz. (15 lbs. 14 oz.) <sup>†</sup>	326 / 360
	Remote Cubelet	F-2001MRJ-C	1832	1500	12.0	N/A	4.35	30A	19.9A	208-230V/60/1	4	20,300	8 lbs. 2.5 oz. (15 lbs. 14 oz.) <sup>†</sup>	326 / 360
3 Phase	Remote Flaker	F-2001MRJ3	2098	1675	12.0	N/A	3.90	20A	18.1A	208-230V/60/3	4	19,500	8 lbs. 2.5 oz. (15 lbs. 14 oz.) <sup>†</sup>	326 / 360

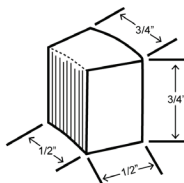
<sup>†</sup> (with condenser)

*Power cord not included. Must be hard-wired at site.*

### Cube Dimensions\* Flaked F-2001M\_J



### Cubelet F-2001MRJ-C



\* approximate size in inches, image not to scale

### Operating Limits

- Ambient Temp Range 45 - 100°F
- Water Temp Range 45 - 90°F
- Water Pressure 10 - 113 PSIG
- Voltage Range 187-253V

### Service

- Panels easily removed and all components accessible for service.
- Allow 6" (15 cm) clearance at rear and sides for proper air circulation and ease of maintenance/service. Allow 24" (61 cm) clearance at top for removal of auger.

### Plumbing

- Icemaker Water Supply Line: Minimum 1/4" Nominal ID Copper Water Tubing or Equivalent
- Icemaker Drain Line: Minimum 3/4" Nominal ID Hard Pipe or Equivalent
- Water-Cooled Model (Lines Must Be Independent of Icemaker)
- Condenser Water Supply Line: Minimum 1/4" Nominal ID Copper Water Tubing or Equivalent
- Condenser Drain/Return Line: Minimum 1/4" Nominal ID Hard Pipe (open drain system) or Copper Water Tubing (closed loop system) or Equivalent



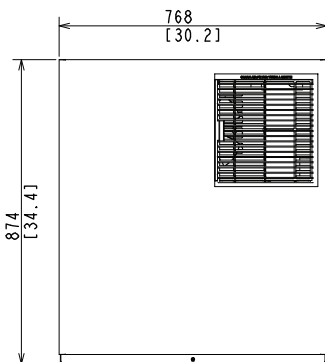
# F-2001M\_J(3)(-C)

## Modular Ice Machine

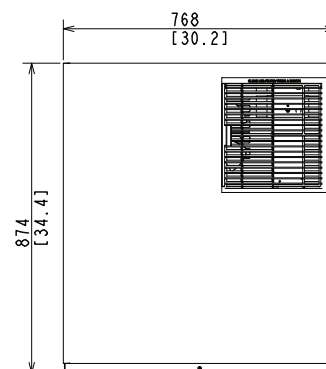


F-2001M\_J(3)(-C)  
06/01/18  
Item # 13255

FRONT VIEW



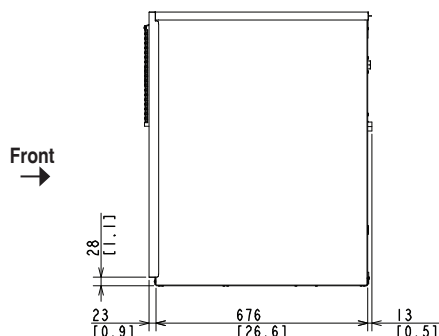
WATER-COOLED



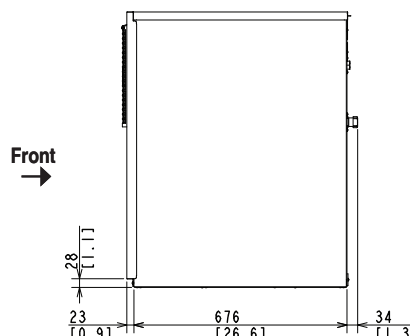
REMOTE AIR-COOLED

mm  
[inch]

SIDE VIEW

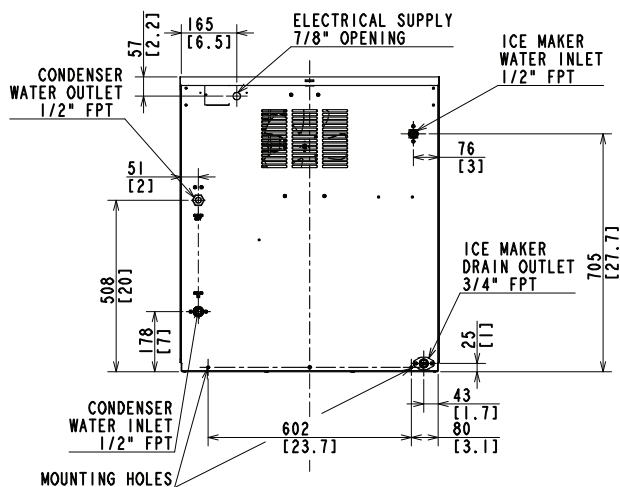


WATER-COOLED

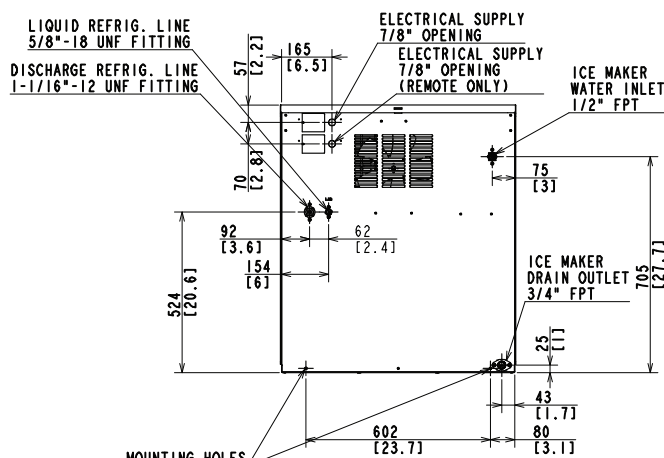


REMOTE AIR-COOLED

REAR VIEW



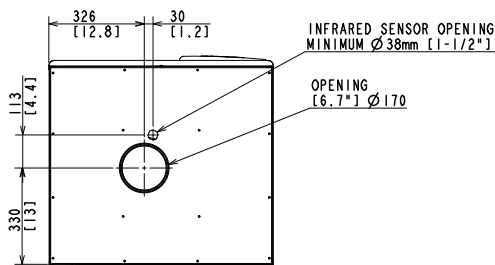
WATER-COOLED



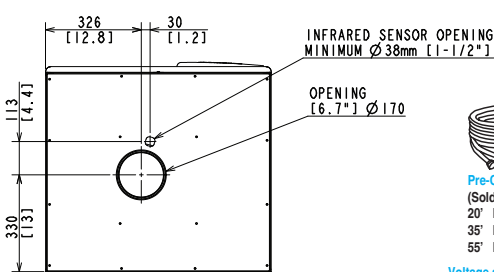
REMOTE AIR-COOLED

URC-22F Remote Condenser (Sold Separately)  
(W x D x H) 46<sup>3/8</sup> x 14<sup>1/16</sup> x 40<sup>1/2</sup>  
For Use with F-2001MRJ(3)(-C)

BOTTOM VIEW



WATER-COOLED



REMOTE AIR-COOLED



Pre-Charged Tubing Kits  
(Sold Separately)  
20' R404-20610  
35' R404-35610  
55' R404-55610

Voltage supply for the URC  
Remote Condenser is supplied  
from the Ice Maker.  
No additional circuit is required.

