



# KM-151B\_H

**SELF-CONTAINED CUBER  
WITH BUILT-IN STORAGE BIN**



KM-151B\_H  
01/18/18  
Item # 13236

**W x D x H**  
**23<sup>3/4</sup>" x 28<sup>1/4</sup>" x 39"** \*  
\*including 6" legs

Shipping Dimensions  
27" x 31<sup>1/2</sup>" x 39<sup>1/2</sup>"


**KM-151BAH**  
Air-Cooled  
Shown


**KM-151BWH**  
Water-Cooled



Item #: \_\_\_\_\_  
Project: \_\_\_\_\_  
Qty: \_\_\_\_\_  
AIA#: \_\_\_\_\_

## Features

- ▶ Individual crescent cube
- ▶ Stainless steel evaporator
- ▶ CycleSaver™ design 

- Up to 146 lbs. of ice production per 24 hours
- Built-in storage capacity of 2.6ft<sup>3</sup>/78 lbs.\*
- Durable stainless steel exterior
- Front in, front out airflow
- Slide in door
- EverCheck™ alert system 
- Removable air filter
- Power switch accessible without panel removal
- Built-in install without legs is 33"H
- R-134a Refrigerant

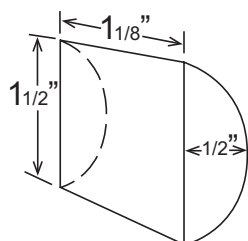
### Warranty:

3 Year Parts & Labor on entire machine. 5 Year Parts & Labor on Evaporator. 5 Year Parts on Compressor; air-cooled condenser coil. Valid in United States, Canada, Puerto Rico and U.S. Territories. Contact factory for warranty in other countries. \*Rated in accordance with AHRI Standard 820(I-P). Capacity based on 100% of total volume x 30 lb/ft<sup>3</sup> average density of ice.



Condenser	Model	ICE PRODUCTION		WATER USAGE		ELECTRICAL						
		Air / Water Temp Lbs. per 24 hours 70°/ 50°F	90°/ 70°F	Potable Gal. per 100 lbs. 90°/ 70°F	Condenser Gal. per 100 lbs. 90°/ 70°F	kWh Used per 100 lbs. 90°/ 70°F	Max. Fuse Size or HACR Circuit Breaker	Amperage	Voltage	Heat Rejection BTU/hr.	Refrigerant Charge Amount	Net / Ship Weight (lbs.)
Air-Cooled	KM-151BAH	146	121	17.8	N/A	8.4	15A	7.0A	115V/60/1	3,290	8.5 oz.	117 / 156
Water-Cooled	KM-151BWH	146	130	25.0	140	7.3	15A	6.8A	115V/60/1	3,220	7.9 oz.	117 / 156

### KM Cube Dimensions\*



\* approximate size in inches, image not to scale

### Operating Limits

- Ambient Temp Range 45 - 100°F
- Water Temp Range 45 - 90°F
- Water Pressure 10 - 113 PSIG
- Voltage Range 104 - 127V

### Service

- Allow enough space at rear for water supply and drain connections, at least 12" (30 cm) clearance at front and at least 0.6" (15 mm) clearance at top for maintenance.

### Plumbing

- Icemaker Water Supply Line: Minimum 1/4" Nominal ID Copper Water Tubing or Equivalent
- Icemaker Drain Line: Minimum 3/4" Nominal ID Hard Pipe or Equivalent
- Water-Cooled Model (Lines Must Be Independent of Icemaker)
- Condenser Water Supply Line: Minimum 1/4" Nominal ID Copper Water Tubing or Equivalent
- Condenser Drain/Return Line: Minimum 1/4" Nominal ID Hard Pipe (open drain system) or Copper Water Tubing (closed loop system) or Equivalent



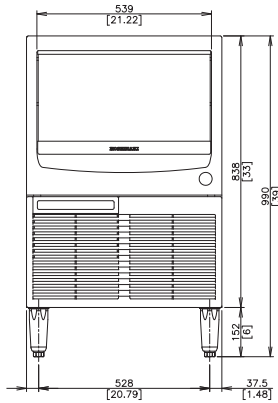
# KM-151B\_H

## SELF-CONTAINED CUBER WITH BUILT-IN STORAGE BIN

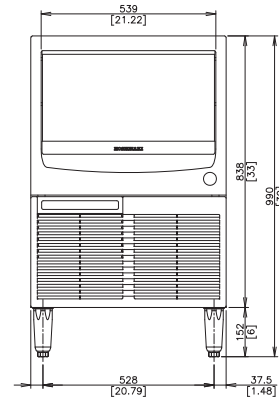


KM-151B\_H  
01/18/18  
Item # 13236

FRONT VIEW



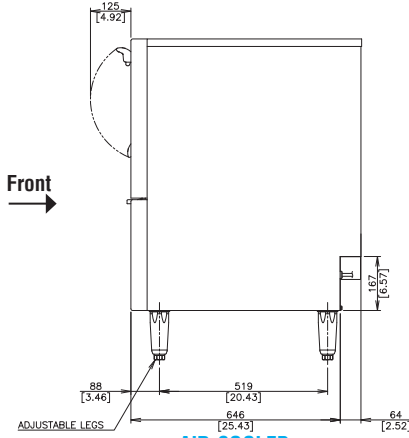
AIR-COOLED



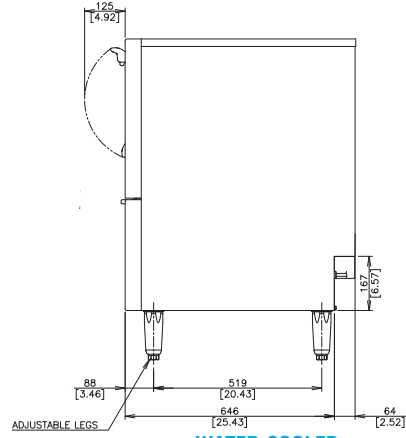
WATER-COOLED

mm  
[inch]

SIDE VIEW

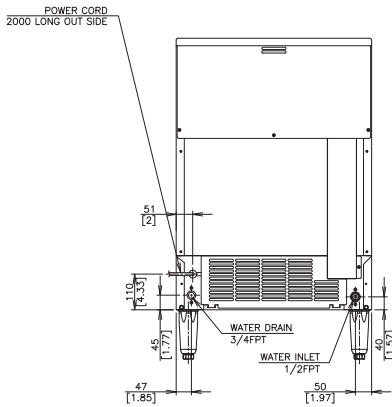


AIR-COOLED

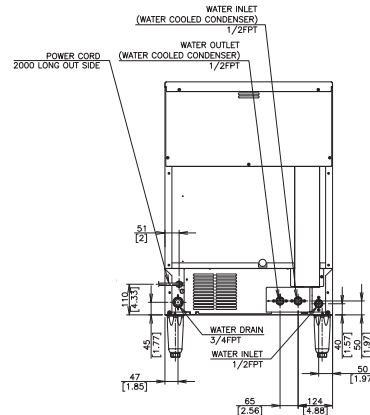


WATER-COOLED

REAR VIEW

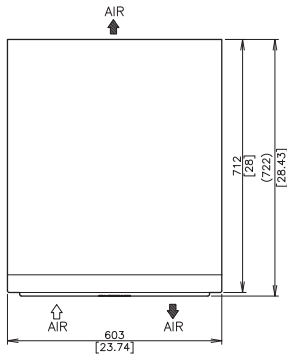


AIR-COOLED

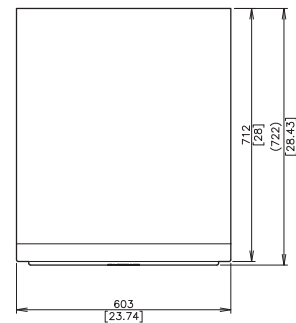


WATER-COOLED

TOP VIEW



AIR-COOLED



WATER-COOLED