

# Hoshizaki America, Inc.

## Stackable Crescent Cuber

### Models

KM-2100SWJ3

KM-2000SRJ3



“A Superior Degree  
of Reliability”

[www.hoshizaki.com](http://www.hoshizaki.com)

## PARTS LIST



Number: 71368  
Issued: 3-10-2016

## CONTENTS

|                                                     |    |
|-----------------------------------------------------|----|
| Auxiliary Codes.....                                | 3  |
| Note About Ordering Parts .....                     | 3  |
| A. Ice Cuber Assembly & Refrigeration Circuit ..... | 4  |
| KM-2100SWJ3 .....                                   | 4  |
| KM-2100SRJ3 .....                                   | 6  |
| B. Water Circuit .....                              | 8  |
| C. Control Box Assembly .....                       | 11 |
| D. Accessories & Labels .....                       | 12 |

## **Auxiliary Codes**

### **KM-2100SWJ3**

E-0 September 2015

F-0 January 2016

### **KM-2100SRJ3**

E-0 August 2015

F-0 January 2016

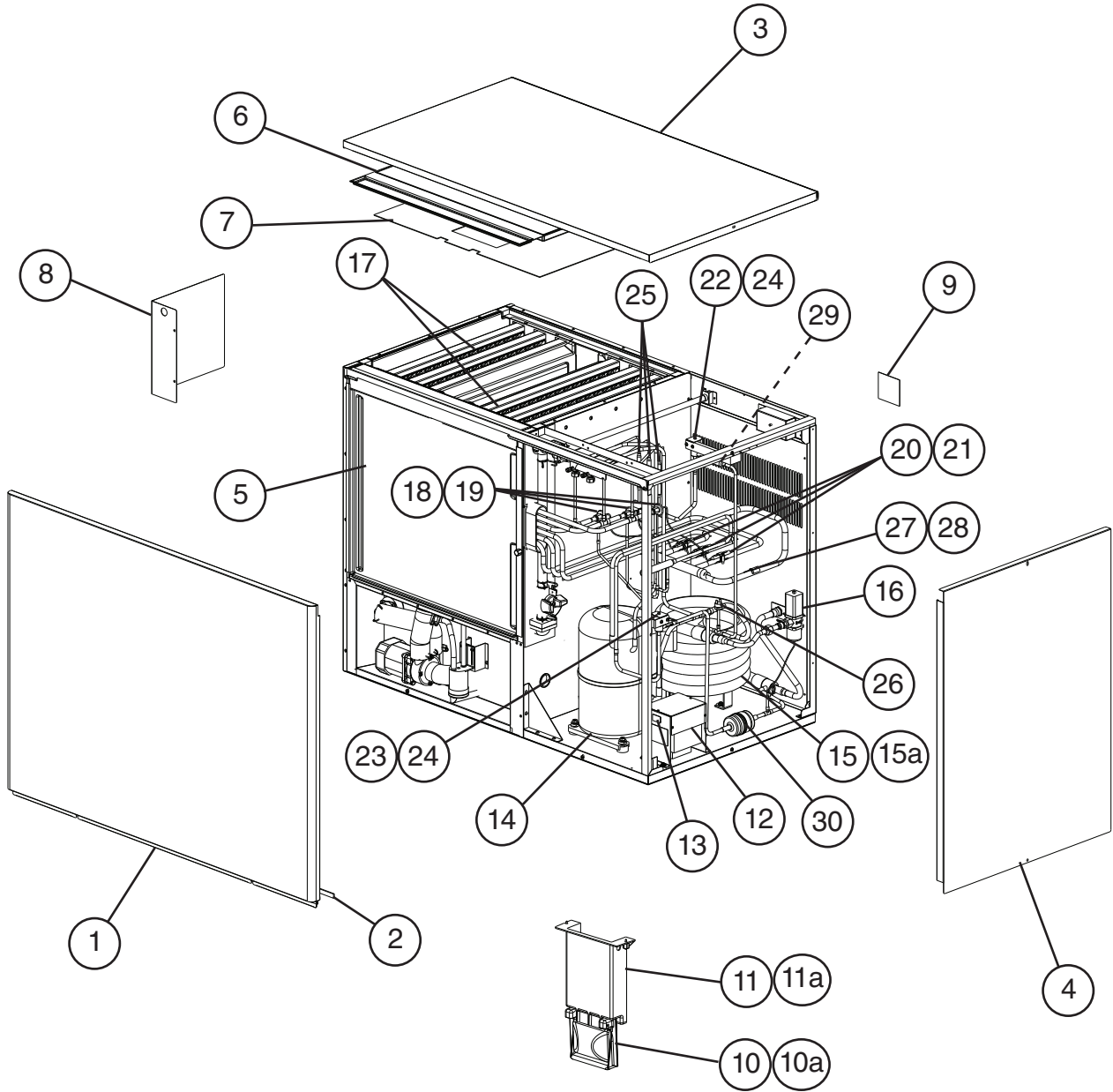
## **Auxiliary Code Breakdown**

The auxiliary code is the first two characters in the serial number. The first character indicates the year. Years progress or regress in alphabetical order. The series runs from "A" through "V" and the letters "I" and "O" are skipped. The second character indicates significant part changes within a year. Base is "0" and this number advances for each change. In cases where there is a letter in parentheses, this designates the month. This is the last character in the serial number. The series runs from "(A)" through "(M)" and the letter "(I)" is skipped. This designation is only included when identifying a parts change within an auxiliary code.

## **Note About Ordering Parts**

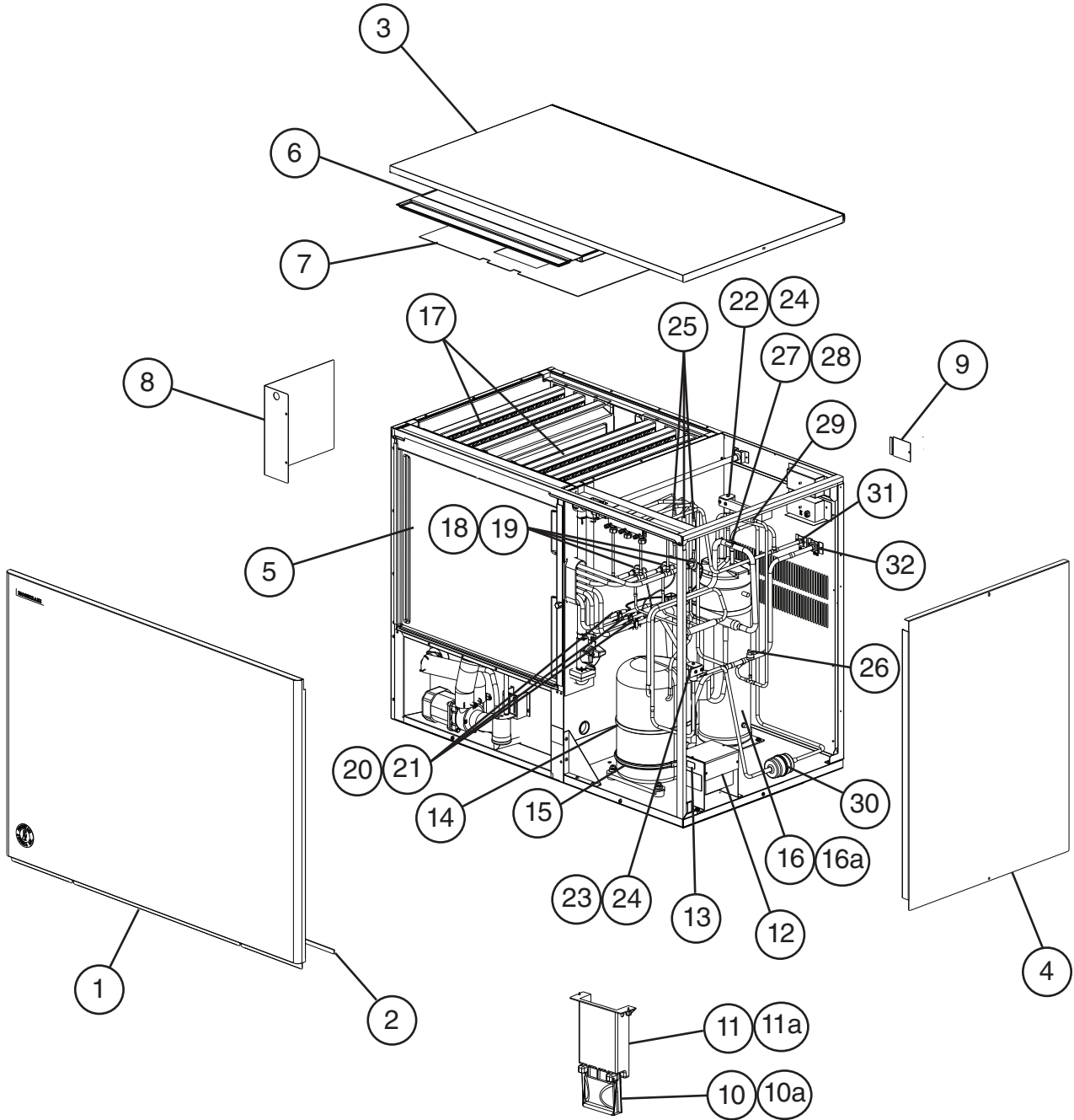
Most assemblies cannot be ordered as complete units; parts in the assemblies generally must be ordered separately.

**A. Ice Cuber Assembly & Refrigeration Circuit**  
**KM-2100SWJ3**  
 E-0, F-0



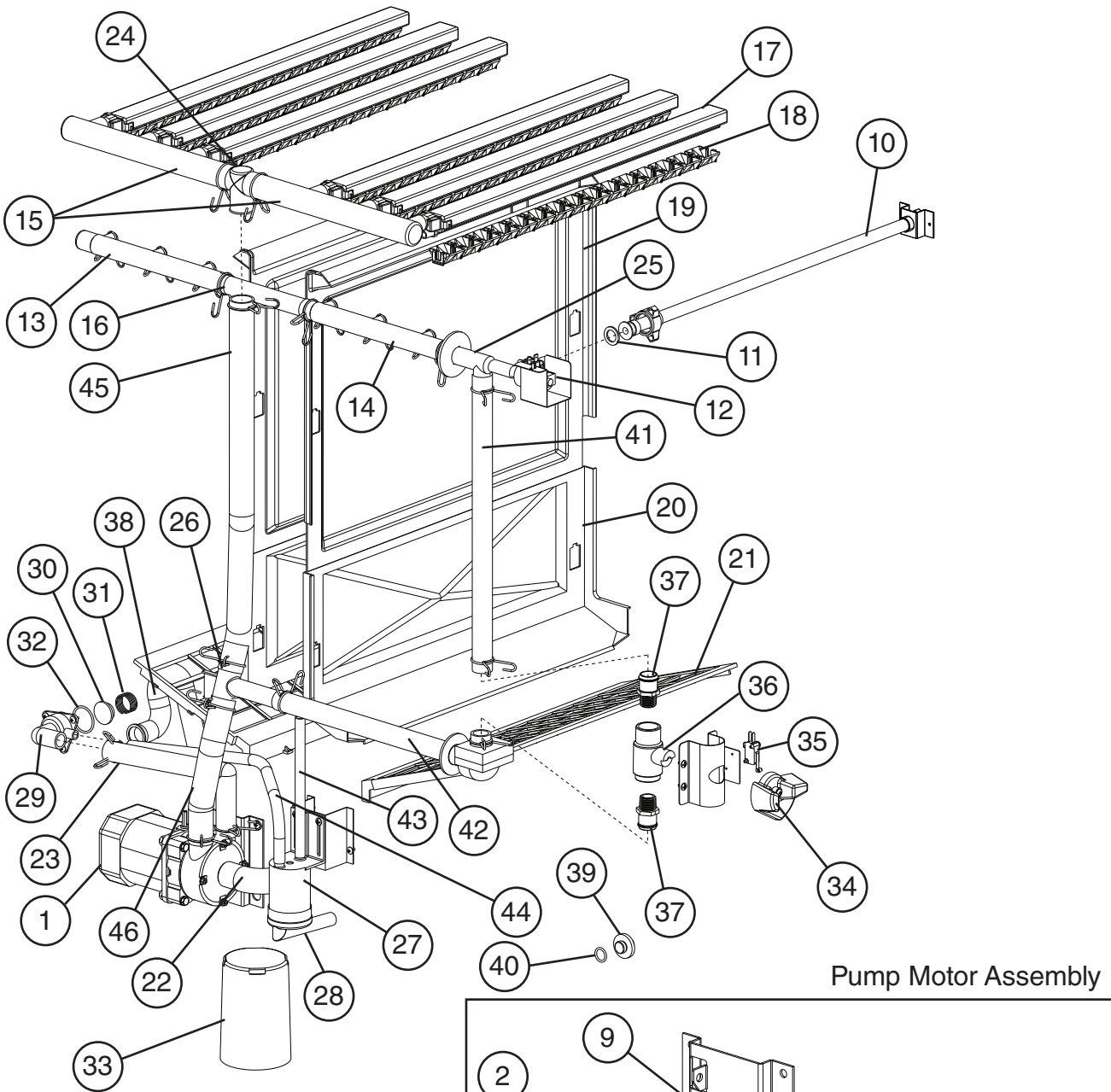
| Title: A. Ice Cuber Assembly & Refrigeration Circuit Model: KM-2100SWJ3 |                                          |                          |             |                 |  |  |  |  |  |  |  |  |
|-------------------------------------------------------------------------|------------------------------------------|--------------------------|-------------|-----------------|--|--|--|--|--|--|--|--|
| Index No.                                                               | Description                              | Material or Model Number | Part Number | Required Number |  |  |  |  |  |  |  |  |
|                                                                         |                                          |                          |             | E-0             |  |  |  |  |  |  |  |  |
| <b>Ice Cuber Assembly</b>                                               |                                          |                          |             |                 |  |  |  |  |  |  |  |  |
| 1                                                                       | Front Panel                              |                          | 3A1838G01   | 1               |  |  |  |  |  |  |  |  |
| 2                                                                       | Gasket                                   |                          | 4A0808L02   | 1               |  |  |  |  |  |  |  |  |
| 3                                                                       | Top Panel                                |                          | 2A2255-01   | 1               |  |  |  |  |  |  |  |  |
| 4                                                                       | Right Side Panel                         |                          | 215381G02   | 1               |  |  |  |  |  |  |  |  |
| 5                                                                       | Front Insulation                         |                          | 326041G01   | 1               |  |  |  |  |  |  |  |  |
| 6                                                                       | Top Insulation                           |                          | 324216G01   | 1               |  |  |  |  |  |  |  |  |
| 7                                                                       | Spacer                                   |                          | 324321-01   | 1               |  |  |  |  |  |  |  |  |
| 8                                                                       | Control Box Cover                        |                          | 3A2386-01   | 1               |  |  |  |  |  |  |  |  |
| 9                                                                       | Junction Box Cover                       |                          | 433410-01   | 1               |  |  |  |  |  |  |  |  |
| 10                                                                      | Bin Control                              |                          | 2A4393G01   | 1               |  |  |  |  |  |  |  |  |
| 10a                                                                     | Thumbscrews                              |                          | 415949-12   | 2               |  |  |  |  |  |  |  |  |
| 11                                                                      | Bin Control Mounting Bracket             |                          | 3A5726-01   | 1               |  |  |  |  |  |  |  |  |
| 11a                                                                     | Thumbscrews                              |                          | 415949-12   | 2               |  |  |  |  |  |  |  |  |
| 12                                                                      | Main Transformer                         |                          | 4a0817-01   | 1               |  |  |  |  |  |  |  |  |
| 13                                                                      | Voltage Tap Switch                       |                          | 4A1477-01   | 1               |  |  |  |  |  |  |  |  |
| <b>Refrigeration Circuit</b>                                            |                                          |                          |             |                 |  |  |  |  |  |  |  |  |
| 14                                                                      | Compressor                               |                          | 4A1419-01   | 1               |  |  |  |  |  |  |  |  |
|                                                                         |                                          |                          | 4A4891-01   |                 |  |  |  |  |  |  |  |  |
| 15                                                                      | Condenser                                |                          | 3A7324-01   | 1               |  |  |  |  |  |  |  |  |
| 15a                                                                     | Hex Head Bolt w/Washer                   | 5x12                     | 7B0130512   | 2               |  |  |  |  |  |  |  |  |
| 16                                                                      | Water Regulating Valve                   |                          | 4A0911-07   | 1               |  |  |  |  |  |  |  |  |
| 17                                                                      | Evaporator Bank (3 plates each)          | SP-5182                  | 2A7965G01   | 2               |  |  |  |  |  |  |  |  |
| 18                                                                      | Thermostatic Expansion Valve             |                          | 4A4008-01   | 3               |  |  |  |  |  |  |  |  |
| 19                                                                      | Thermostatic Expansion Valve Cover       |                          | 3A0944-01   | 3               |  |  |  |  |  |  |  |  |
| 20                                                                      | Thermostatic Expansion Valve Bulb Holder |                          | 3A0107-01   | 3               |  |  |  |  |  |  |  |  |
| 21                                                                      | Clamp                                    |                          | 443461-02   | 3               |  |  |  |  |  |  |  |  |
| 22                                                                      | Hot Gas Valve Body                       |                          | 4A3978-01   | 1               |  |  |  |  |  |  |  |  |
| 23                                                                      | Liquid Line Valve Body                   |                          | 4A3276-01   | 1               |  |  |  |  |  |  |  |  |
| 24                                                                      | Valve Coil                               |                          | 4A3277-01   | 2               |  |  |  |  |  |  |  |  |
| 25                                                                      | Check Valve                              |                          | 4A1373-01   | 3               |  |  |  |  |  |  |  |  |
| 26                                                                      | High-Pressure Switch                     |                          | 463180-05   | 1               |  |  |  |  |  |  |  |  |
| 27                                                                      | Thermistor                               |                          | 429006-03   | 1               |  |  |  |  |  |  |  |  |
| 28                                                                      | Thermistor Holder                        |                          | 438247-01   | 1               |  |  |  |  |  |  |  |  |
| 29                                                                      | Strainer                                 |                          | 441569-02   | 1               |  |  |  |  |  |  |  |  |
| 30                                                                      | Drier                                    |                          | 4A2663-01   | 1               |  |  |  |  |  |  |  |  |

**A. Ice Cuber Assembly & Refrigeration Circuit**  
**KM-2100SRJ3**  
 E-0, F-0

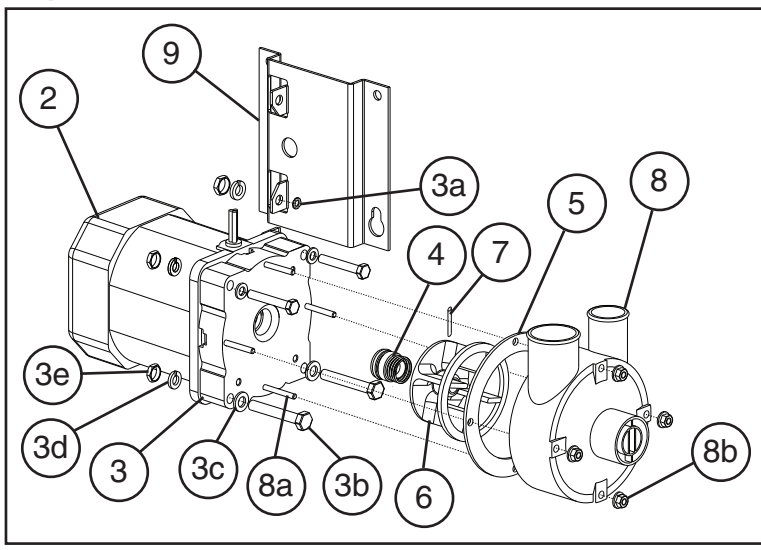


| Title: A. Ice Cuber Assembly & Refrigeration Circuit Model: KM-2100SRJ3 |                                             |                          |             |                 |  |  |  |  |  |  |  |  |
|-------------------------------------------------------------------------|---------------------------------------------|--------------------------|-------------|-----------------|--|--|--|--|--|--|--|--|
| Index No.                                                               | Description                                 | Material or Model Number | Part Number | Required Number |  |  |  |  |  |  |  |  |
|                                                                         |                                             |                          |             | E-0             |  |  |  |  |  |  |  |  |
| <b>Ice Cuber Assembly</b>                                               |                                             |                          |             |                 |  |  |  |  |  |  |  |  |
| 1                                                                       | Front Panel                                 |                          | 3A1838G01   | 1               |  |  |  |  |  |  |  |  |
| 2                                                                       | Gasket                                      |                          | 4A0808L02   | 1               |  |  |  |  |  |  |  |  |
| 3                                                                       | Top Panel                                   |                          | 2A2255-01   | 1               |  |  |  |  |  |  |  |  |
| 4                                                                       | Right Side Panel                            |                          | 215381G02   | 1               |  |  |  |  |  |  |  |  |
| 5                                                                       | Front Insulation                            |                          | 326041G01   | 1               |  |  |  |  |  |  |  |  |
| 6                                                                       | Top Insulation                              |                          | 324216G01   | 1               |  |  |  |  |  |  |  |  |
| 7                                                                       | Spacer                                      |                          | 324321-01   | 1               |  |  |  |  |  |  |  |  |
| 8                                                                       | Control Box Cover                           |                          | 3A2386-01   | 1               |  |  |  |  |  |  |  |  |
| 9                                                                       | Junction Box Cover                          |                          | 433410-01   | 1               |  |  |  |  |  |  |  |  |
| 10                                                                      | Bin Control                                 |                          | 2A4393G01   | 1               |  |  |  |  |  |  |  |  |
| 10a                                                                     | Thumbscrews                                 |                          | 415949-12   | 2               |  |  |  |  |  |  |  |  |
| 11                                                                      | Bin Control Mounting Bracket                |                          | 3A5726-01   | 1               |  |  |  |  |  |  |  |  |
| 11a                                                                     | Thumbscrews                                 |                          | 415949-12   | 2               |  |  |  |  |  |  |  |  |
| 12                                                                      | Main Transformer                            |                          | 4A0817-01   | 1               |  |  |  |  |  |  |  |  |
| 13                                                                      | Voltage Tap Switch                          |                          | 4A1477-01   | 1               |  |  |  |  |  |  |  |  |
| <b>Refrigeration Circuit</b>                                            |                                             |                          |             |                 |  |  |  |  |  |  |  |  |
| 14                                                                      | Compressor                                  |                          | 4A4891-01   | 1               |  |  |  |  |  |  |  |  |
| 15                                                                      | Crankcase Heater                            |                          | 4A5397-02   | 1               |  |  |  |  |  |  |  |  |
| 16                                                                      | Receiver                                    |                          | 440366-01   | 1               |  |  |  |  |  |  |  |  |
| 16a                                                                     | Hex Head Bolt w/Washer                      | 5x10                     | 7B0130510   | 2               |  |  |  |  |  |  |  |  |
| 17                                                                      | Evaporator Bank<br>(3 plates each)          | SP-5182                  | 2A7965G01   | 2               |  |  |  |  |  |  |  |  |
| 18                                                                      | Thermostatic Expansion Valve                |                          | 4A4008-01   | 3               |  |  |  |  |  |  |  |  |
| 19                                                                      | Thermostatic Expansion Valve<br>Cover       |                          | 3A0944-01   | 3               |  |  |  |  |  |  |  |  |
| 20                                                                      | Thermostatic Expansion Valve<br>Bulb Holder |                          | 3A0107-01   | 3               |  |  |  |  |  |  |  |  |
| 21                                                                      | Clamp                                       |                          | 443461-02   | 3               |  |  |  |  |  |  |  |  |
| 22                                                                      | Hot Gas Valve Body                          |                          | 4A3978-01   | 1               |  |  |  |  |  |  |  |  |
| 23                                                                      | Liquid Line Valve Body                      |                          | 4A3276-01   | 1               |  |  |  |  |  |  |  |  |
| 24                                                                      | Valve Coil                                  |                          | 4A3277-01   | 2               |  |  |  |  |  |  |  |  |
| 25                                                                      | Check Valve                                 |                          | 4A1373-01   | 3               |  |  |  |  |  |  |  |  |
| 26                                                                      | High-Pressure Switch                        |                          | 463180-04   | 1               |  |  |  |  |  |  |  |  |
| 27                                                                      | Thermistor                                  |                          | 429006-03   | 1               |  |  |  |  |  |  |  |  |
| 28                                                                      | Thermistor Holder                           |                          | 438247-01   | 1               |  |  |  |  |  |  |  |  |
| 29                                                                      | Strainer                                    |                          | 441569-02   | 1               |  |  |  |  |  |  |  |  |
| 30                                                                      | Drier                                       |                          | 4A2663-01   | 1               |  |  |  |  |  |  |  |  |
| 31                                                                      | Liquid Line Coupling                        |                          | 426554-01   | 1               |  |  |  |  |  |  |  |  |
| 32                                                                      | Discharge Line Coupling                     |                          | 434072-01   | 1               |  |  |  |  |  |  |  |  |

**B. Water Circuit**  
**KM-2100SWJ3, KM-2100SRJ3**  
 E-0, F-0



Pump Motor Assembly

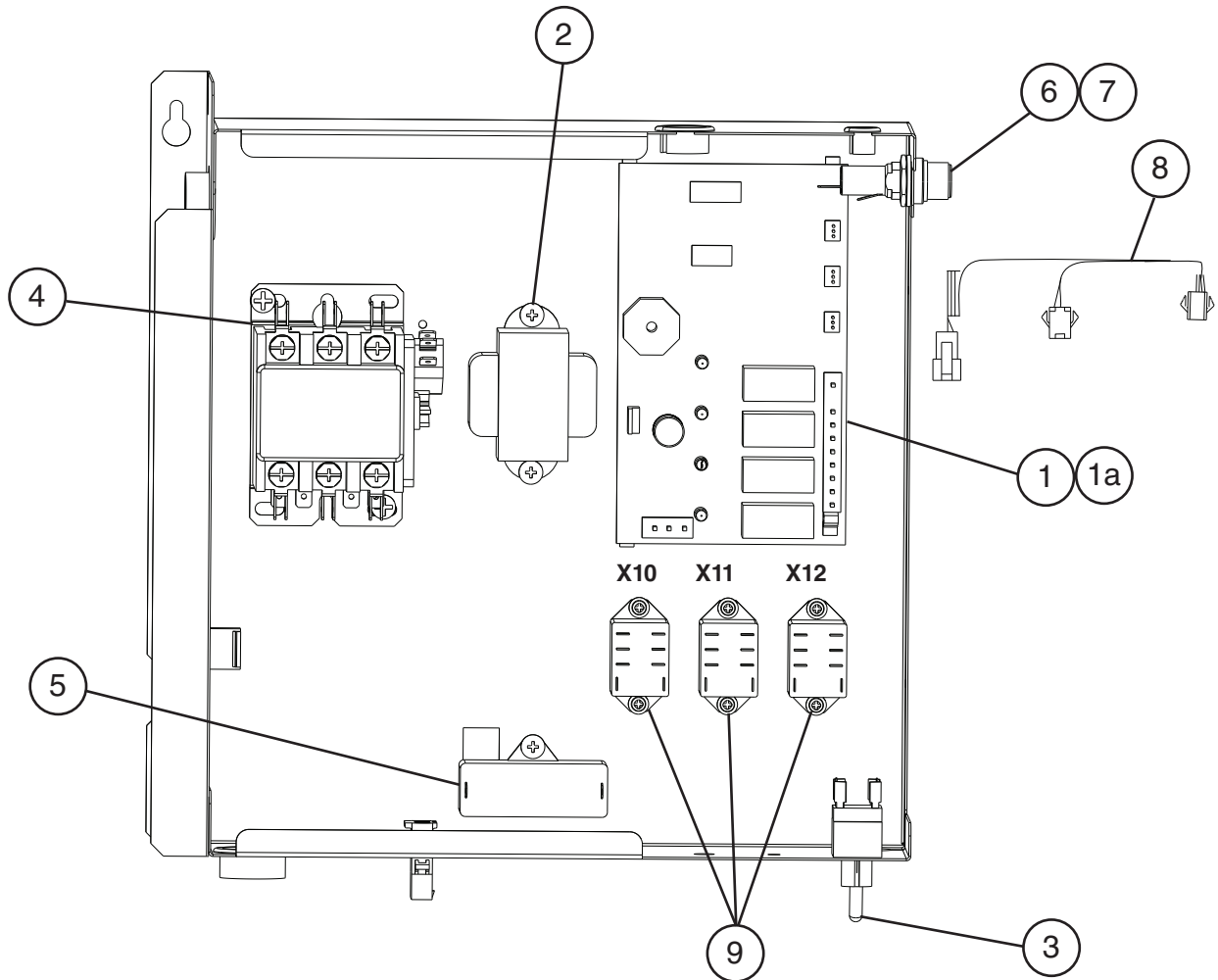




| Title: B. Water Circuit Model: KM-2100SWJ3, KM-2100SRJ3 |                                                  |                          |             |                 |     |  |  |  |  |  |  |
|---------------------------------------------------------|--------------------------------------------------|--------------------------|-------------|-----------------|-----|--|--|--|--|--|--|
| Index No.                                               | Description                                      | Material or Model Number | Part Number | Required Number |     |  |  |  |  |  |  |
|                                                         |                                                  |                          |             | E-0             | F-0 |  |  |  |  |  |  |
| 1                                                       | Pump Motor Assembly (includes items 2 through 8) | S-0730                   | 215692A03   | 1               |     |  |  |  |  |  |  |
| 2                                                       | Pump Motor                                       |                          | 2U0106-01   | 1               |     |  |  |  |  |  |  |
| 3                                                       | Pump Flange                                      |                          | 215662-01   | 1               |     |  |  |  |  |  |  |
| 3a                                                      | Tooth Washer                                     |                          | 7R22-0600   | 2               |     |  |  |  |  |  |  |
| 3b                                                      | Hex Head Bolt                                    | 6x40                     | 7B02-0640   | 4               |     |  |  |  |  |  |  |
| 3c                                                      | Flat Washer                                      |                          | 7W22-0600   | 4               |     |  |  |  |  |  |  |
| 3d                                                      | Split Lock Washer                                |                          | 7L22-0600   | 4               |     |  |  |  |  |  |  |
| 3e                                                      | Hex Nut                                          |                          | 7N12-0600   | 4               |     |  |  |  |  |  |  |
| 4                                                       | Mechanical Seal                                  |                          | 4A3820-01   | 1               |     |  |  |  |  |  |  |
| 5                                                       | Packing                                          |                          | 428547-01   | 1               |     |  |  |  |  |  |  |
| 6                                                       | Impeller                                         |                          | 436584-01   | 1               |     |  |  |  |  |  |  |
| 7                                                       | Pin                                              |                          | 4A0648-01   | 1               |     |  |  |  |  |  |  |
| 8                                                       | Pump Housing                                     |                          | 213687-01   | 1               |     |  |  |  |  |  |  |
| 8a                                                      | Hex Head Bolt                                    | 4x55                     | 7B02-0455   | 4               |     |  |  |  |  |  |  |
| 8b                                                      | Hex Flange Nut                                   |                          | 7J02-0400   | 4               |     |  |  |  |  |  |  |
| 9                                                       | Pump Motor Bracket                               |                          | 323904-01   | 1               |     |  |  |  |  |  |  |
| 10                                                      | Water Supply Pipe                                |                          | 4A0768G04   | 1               |     |  |  |  |  |  |  |
| 11                                                      | Rubber Gasket                                    |                          | 413854-03   | 1               |     |  |  |  |  |  |  |
| 12                                                      | Inlet Water Valve                                |                          | 3U0111-01   | 1               |     |  |  |  |  |  |  |
| 13                                                      | Distributor Hose A                               |                          | 325738-01   | 1               |     |  |  |  |  |  |  |
| 14                                                      | Distributor Hose B                               |                          | 325738-02   | 1               |     |  |  |  |  |  |  |
| 15                                                      | Distributor Hose C                               |                          | 325739-01   | 2               |     |  |  |  |  |  |  |
| 16                                                      | Joint Pipe                                       |                          | 439297-01   | 1               |     |  |  |  |  |  |  |
| 17                                                      | Spray Tube                                       |                          | 437049G01   | 6               |     |  |  |  |  |  |  |
| 18                                                      | Spray Guide                                      |                          | 2A4282-02   | 6               |     |  |  |  |  |  |  |
| 19                                                      | Separator A                                      |                          | 215046-01   | 2               |     |  |  |  |  |  |  |
| 20                                                      | Separator B                                      |                          | 2A0100-01   | 2               |     |  |  |  |  |  |  |
| 21                                                      | Cube Guide                                       |                          | 214243-01   | 2               |     |  |  |  |  |  |  |
| 22                                                      | Hose A                                           |                          | 435091-01   | 1               |     |  |  |  |  |  |  |
| 23                                                      | Hose B                                           |                          | 325867-01   | 1               |     |  |  |  |  |  |  |
| 24                                                      | Distributor A (Tee)                              |                          | 439266-01   | 1               |     |  |  |  |  |  |  |
| 25                                                      | Distributor B (Tee)                              |                          | 439239-01   | 1               |     |  |  |  |  |  |  |
| 26                                                      | Distributor C (Tee)                              |                          | 439238-01   | 1               |     |  |  |  |  |  |  |
| 27                                                      | Float Switch                                     |                          | 4A3624-01   | 1               |     |  |  |  |  |  |  |
| 28                                                      | Float Switch Connector                           |                          | 426799-04   | 1               |     |  |  |  |  |  |  |
| 29                                                      | Drain Valve Housing                              |                          | 323613-01   | 1               |     |  |  |  |  |  |  |
| 30                                                      | Drain Valve Seat                                 |                          | 433705-01   | 1               |     |  |  |  |  |  |  |
| 31                                                      | Drain Valve Spring                               |                          | 322110-01   | 1               |     |  |  |  |  |  |  |
| 32                                                      | Drain Valve O-Ring                               |                          | 7611-G035   | 1               |     |  |  |  |  |  |  |
| 33                                                      | Overflow Cap                                     |                          | 325866-01   | 1               |     |  |  |  |  |  |  |
| 34                                                      | Cleaning Valve Handle                            |                          | 215383-01   | 1               |     |  |  |  |  |  |  |
| 35                                                      | Cleaning Valve Microswitch                       |                          | 4A2546-01   | 1               |     |  |  |  |  |  |  |
| 36                                                      | Cleaning Valve Ball Valve                        |                          | 439293-01   | 1               |     |  |  |  |  |  |  |
| 37                                                      | Cleaning Valve Male Adaptor                      |                          | 325826-01   | 2               |     |  |  |  |  |  |  |
| 38                                                      | Drain Hose                                       |                          | 325869-01   | 1               |     |  |  |  |  |  |  |
| 39                                                      | Drain Plug                                       |                          | 309246-01   | 1               |     |  |  |  |  |  |  |
| 40                                                      | Drain Plug O-Ring                                |                          | 7611-P015   | 1               |     |  |  |  |  |  |  |

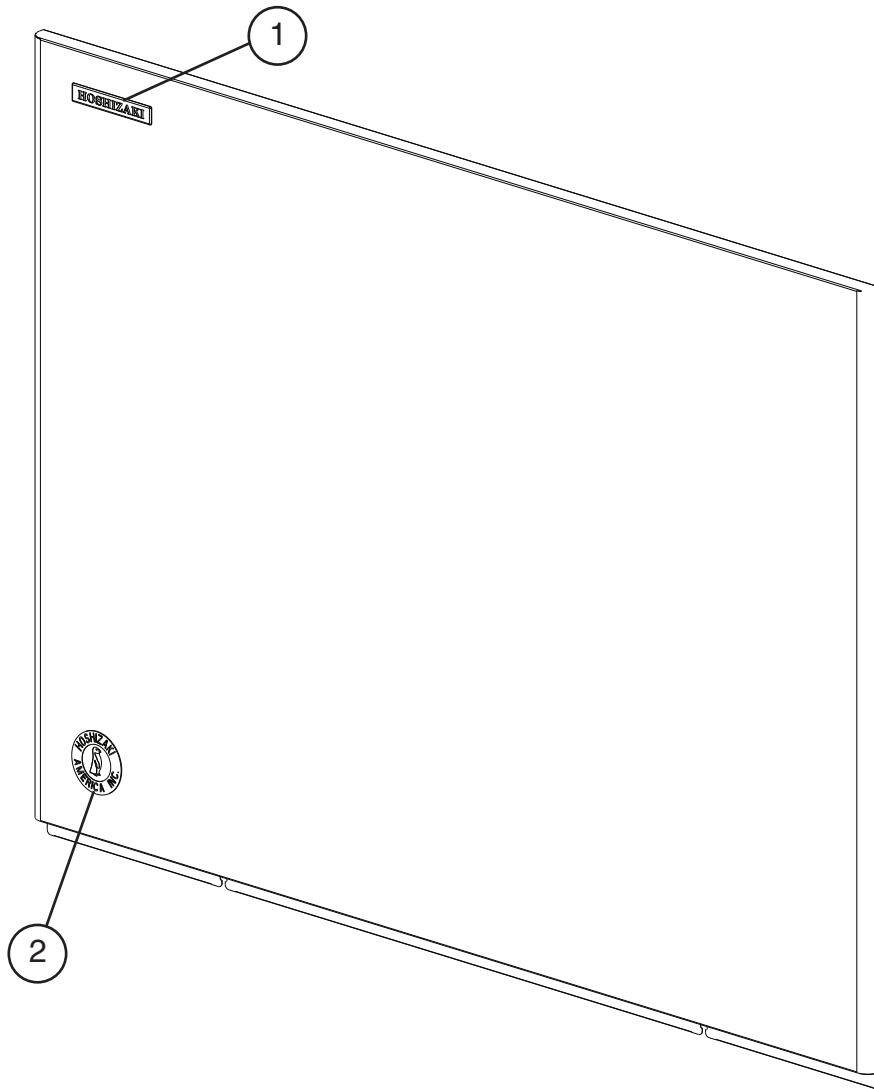
| <b>Title: B. Water Circuit Model: KM-2100SWJ3, KM-2100SRJ3</b> |               |                          |             |                 |  |  |  |  |  |  |  |  |
|----------------------------------------------------------------|---------------|--------------------------|-------------|-----------------|--|--|--|--|--|--|--|--|
| Index No.                                                      | Description   | Material or Model Number | Part Number | Required Number |  |  |  |  |  |  |  |  |
|                                                                |               |                          |             | E-0<br>F-0      |  |  |  |  |  |  |  |  |
| 41                                                             | Joint Hose    |                          | 439309-01   | 1               |  |  |  |  |  |  |  |  |
| 42                                                             | Bypass Hose   |                          | 439237-02   | 1               |  |  |  |  |  |  |  |  |
| 43                                                             | Silicone Hose | L= 190                   | 7730I3812   | 1               |  |  |  |  |  |  |  |  |
| 44                                                             | Silicone Hose | L= 430                   | 7730I3896   | 1               |  |  |  |  |  |  |  |  |
| 45                                                             | Vinyl Hose    | L= 550                   | 7716-2732   | 1               |  |  |  |  |  |  |  |  |
| 46                                                             | Vinyl Hose    | L= 230                   | 7716-2732   | 1               |  |  |  |  |  |  |  |  |
| <b>Hose Clamps</b>                                             |               |                          |             |                 |  |  |  |  |  |  |  |  |
|                                                                | Hose Clamp    | 25 mm                    | 427443-03   | 9               |  |  |  |  |  |  |  |  |
|                                                                | Hose Clamp    | 13.5 mm                  | 427443-07   | 6               |  |  |  |  |  |  |  |  |
|                                                                | Hose Clamp    | 32 mm                    | 427443-09   | 6               |  |  |  |  |  |  |  |  |

**C. Control Box Assembly**  
**KM-2100SWJ3, KM-2100SRJ3**  
 E-0, F-0



| Title: C. Control Box Assembly Model: KM-2100SWJ3, KM-2100SRJ3 |                          |                          |             |                 |     |  |  |  |  |  |  |  |  |  |  |  |  |  |  |  |
|----------------------------------------------------------------|--------------------------|--------------------------|-------------|-----------------|-----|--|--|--|--|--|--|--|--|--|--|--|--|--|--|--|
| Index No.                                                      | Description              | Material or Model Number | Part Number | Required Number |     |  |  |  |  |  |  |  |  |  |  |  |  |  |  |  |
|                                                                |                          |                          |             | E-0             | F-0 |  |  |  |  |  |  |  |  |  |  |  |  |  |  |  |
| 1                                                              | "J" Control Board        |                          | 2A7664-01   | 1               |     |  |  |  |  |  |  |  |  |  |  |  |  |  |  |  |
| 1a                                                             | Control Board Support    |                          | 4A0336-03   | 4               |     |  |  |  |  |  |  |  |  |  |  |  |  |  |  |  |
| 2                                                              | Control Transformer      |                          | 3A0172-01   | 1               |     |  |  |  |  |  |  |  |  |  |  |  |  |  |  |  |
| 3                                                              | Control Switch           |                          | 443119-01   | 1               |     |  |  |  |  |  |  |  |  |  |  |  |  |  |  |  |
| 4                                                              | Magnetic Contactor       | <b>KM-2100SWJ3</b>       | 4A0794-02   | 1               |     |  |  |  |  |  |  |  |  |  |  |  |  |  |  |  |
|                                                                |                          | <b>KM-2100SRJ3</b>       | 4A0794-01   | 1               |     |  |  |  |  |  |  |  |  |  |  |  |  |  |  |  |
| 5                                                              | Pump Motor Capacitor     | 10MFD, 250VAC            | 443192-01   | 1               |     |  |  |  |  |  |  |  |  |  |  |  |  |  |  |  |
| 6                                                              | Fuse Holder              |                          | 4A5443-01   | 1               |     |  |  |  |  |  |  |  |  |  |  |  |  |  |  |  |
| 7                                                              | Fuse                     | ACG-10A<br>250VAC        | 4A0893-07   | 1               |     |  |  |  |  |  |  |  |  |  |  |  |  |  |  |  |
| 8                                                              | Bin Control Wire Harness |                          | 4A5197G01   | 1               |     |  |  |  |  |  |  |  |  |  |  |  |  |  |  |  |
| 9                                                              | Relay (x10, x11, x12)    |                          | 406132-07   | 3               |     |  |  |  |  |  |  |  |  |  |  |  |  |  |  |  |

**D. Accessories & Labels**  
**KM-2100SWJ3, KM-2100SRJ3**  
 E-0, F-0



| Title: D. Accessories & Labels Model: KM-2100SWJ3, KM-2100SRJ3 |                  |                          |             |                 |     |  |  |  |  |  |  |  |
|----------------------------------------------------------------|------------------|--------------------------|-------------|-----------------|-----|--|--|--|--|--|--|--|
| Index No.                                                      | Description      | Material or Model Number | Part Number | Required Number |     |  |  |  |  |  |  |  |
|                                                                |                  |                          |             | E-0             | F-0 |  |  |  |  |  |  |  |
| 1                                                              | Hoshizaki Emblem |                          | 4A0560-01   | 1               |     |  |  |  |  |  |  |  |
| 2                                                              | Penguin Label    |                          | 4A0526-01   | 1               |     |  |  |  |  |  |  |  |
| 3                                                              | Universal Brace  |                          | 4A0363-01   | 2               |     |  |  |  |  |  |  |  |
| 4                                                              | Hex Head Bolt    | 5x12                     | 7B02-0512   | 4               |     |  |  |  |  |  |  |  |
| 5                                                              | Thumbscrews      |                          | 415949G12   | 1               |     |  |  |  |  |  |  |  |