



# KM-340M\_J

## SLIM-LINE MODULAR CRESCENT CUBER



KM-340M\_J  
6/05/18  
Item # 13169

**W x D x H**  
22" x 27<sup>3/8</sup>" x 30<sup>5/16</sup>"

Shipping Dimensions  
25<sup>1/4</sup>" x 33" x 36"


**KMEdge**  
DESIGN



**KM-340MAJ** ★  
Air-Cooled 1 Phase  
Shown on optional Bin: B-300

**KM-340MWJ**  
Water-Cooled 1 Phase



## Features

- ▶ Individual crescent cube
- ▶ Stainless steel evaporator
- ▶ CycleSaver™ design 

- Up to 404 lbs. of ice production per 24 hours
- Durable stainless steel exterior
- Protected by H-GUARD Plus  Antimicrobial Agent
- EverCheck™ alert system 
- Mount two units side-by-side for 808 lbs. per 24 hours (in only 44" of floor space)
- Removable air filters (Air-cooled model only)
- R-404A Refrigerant

### Available on Bins:

B-250PF B-500PF/SF B-800PF/SF B-1150SS DB-130H DM-200B  
B-300PF/SF B-700PF/SF B-900PF/SF B-1300SS DB-200H

Top kit may be required. See Bin Spec Sheets.

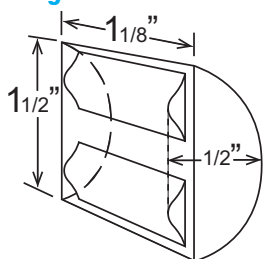
### Warranty:

3 Year Parts & Labor on entire machine. 5 Year Parts & Labor on Evaporator. 5 Year Parts on Compressor; air-cooled condenser coil. Valid in United States, Canada, Puerto Rico and U.S. Territories. Contact factory for warranty in other countries.



Condenser	Model	ICE PRODUCTION		WATER USAGE		ELECTRICAL							
		Air / Water Temp Lbs. per 24 hours 70°/ 50°F 90°/ 70°F	Potable Gal. per 100 lbs. 90°/ 70°F	Condenser Gal. per 100 lbs. 90°/ 70°F	kWh Used per 100 lbs. 90°/ 70°F	Max. Fuse Sz or HACR Circuit Bkr	Amperage	Voltage	Circuit Wires (including ground)	Heat Rejection BTU/hr.	Refrigerant Charge Amount	Net / Ship Weight (lbs.)	
Air	KM-340MAJ	404	315	17.1	N/A	5.7	15A	9.2A	115V/60/1	3	7,500	1 lb. 4.8 oz.	129 / 159
Water	KM-340MWJ	402	344	18.1	86	4.8	15A	7.5A	115V/60/1	3	7,500	1 lb. 0.9 oz.	142 / 166

### KM Edge Cube Dimensions†



† approximate size in inches, image not to scale

### Operating Limits

- Ambient Temp Range 45 - 100°F
- Water Temp Range 45 - 90°F
- Water Pressure 10 - 113 PSIG
- Voltage Range 104 - 127V

### Service

- Panels easily removed and all components accessible for service.
- Removable/cleanable air filters. (Air-cooled model only)
- Allow 6" (15 cm) clearance at rear, sides, and top for proper air circulation and ease of maintenance/service.

### Plumbing

- Icemaker Water Supply Line: Min. 1/4" Nominal ID Copper Water Tubing or Equivalent
- Icemaker Drain Line: Min. 3/4" Nominal ID Hard Pipe or Equivalent
- Water-Cooled Model (Lines Must Be Independent of Icemaker)
- Condenser Water Supply Line: Minimum 1/4" Nominal ID Copper Water Tubing or Equivalent
- Condenser Drain/Return Line: Minimum 1/4" Nominal ID Hard Pipe (open drain system) or Copper Water Tubing (closed loop system) or Equivalent

### Water Filter

Please refer to water filter specification sheet for recommendations.

Hoshizaki reserves the right to change specifications without notice.



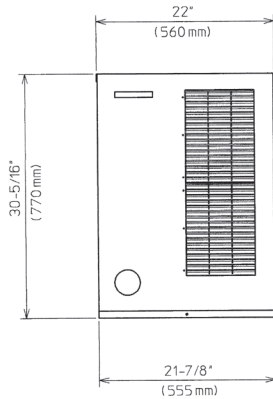
# KM-340M\_J

## SLIM-LINE MODULAR CRESCENT CUBER

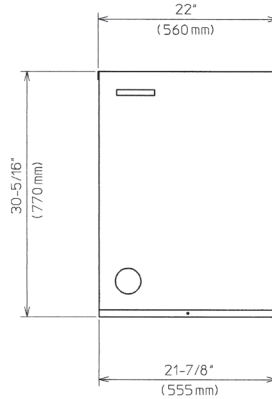


KM-340M\_J  
6/05/18 Item #  
13169

FRONT VIEW



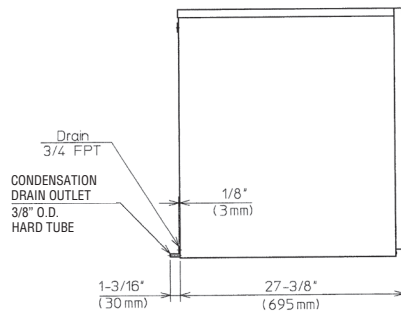
**AIR-COOLED**



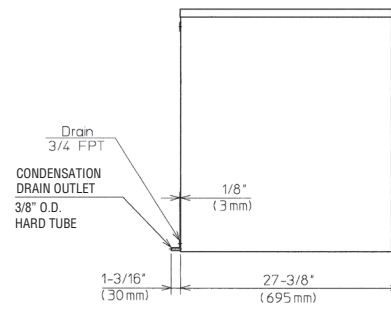
**WATER-COOLED**

inch  
[mm]

SIDE VIEW

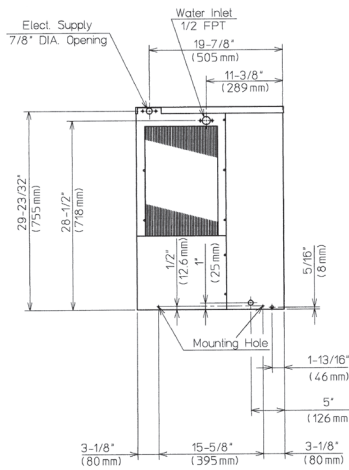


**AIR-COOLED**

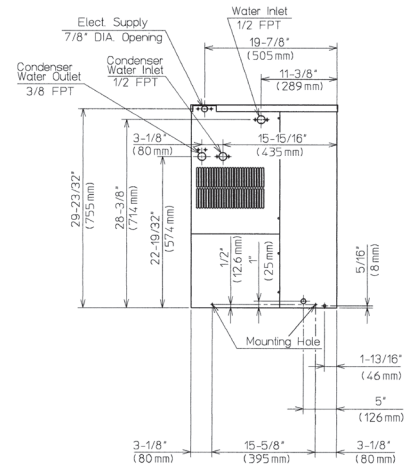


**WATER-COOLED**

BACK VIEW

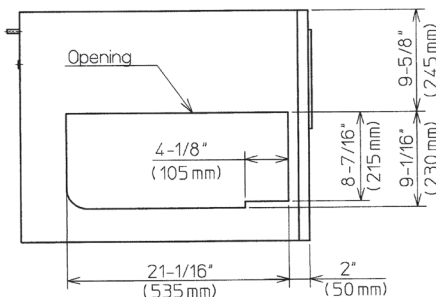


**AIR-COOLED**

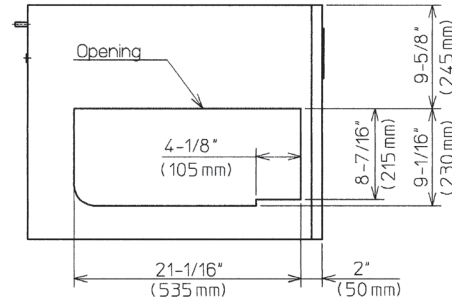


**WATER-COOLED**

BOTTOM VIEW



**AIR-COOLED**



**WATER-COOLED**