



# KM-350/520/660M\_J

SLIM-LINE MODULAR CRESCENT CUBER



KM-350/520/660M\_J  
12/05/18  
Item # 13260

Item #: \_\_\_\_\_  
Project: \_\_\_\_\_  
Qty: \_\_\_\_\_  
AIA#: \_\_\_\_\_

**W x D x H**  
22" x 27<sup>3/8</sup>" x 28"

**KM|EDGE**  
ICE MACHINE SERIES

### Air-Cooled

- KM-350MAJ ★
- KM-520MAJ ★
- KM-660MAJ

Air-cooled model  
shown on optional bin: B-300



### Water-Cooled

- KM-350MWJ
- KM-520MWJ
- KM-660MWJ

### Remote Air-Cooled

- KM-520MRJ ★
- KM-660MRJ


#### Available on Bins/Dispensers:




- B-250PF B-700PF/SF B-1150SS DB-200H  
B-300PF/SF B-800PF/SF B-1300SS DM-200B  
B-500PF/SF B-900PF/SF DB-130H

Top kit may be required. See bin spec sheets.



## Features

- ▶ Individual crescent cube
- ▶ Factory-installed ultrasonic bin control can be adjusted on site
- ▶ Simple, one-hour cleaning process 

- Durable construction with fewer parts
- Self-diagnostic programming automatically adjusts to changing conditions
- Snap fit parts for easy cleaning
- Stainless steel double-sided evaporator
- CycleSaver™ design 
- Protected by H-GUARD Plus  Antimicrobial Agent
- EverCheck™ alert system 
- Removable air filters (air-cooled model only)
- R-404A Refrigerant

#### Warranty:

3 Year Parts & Labor on entire machine 5 Year Parts & Labor on evaporator  
5 Year Parts on Compressor; air-cooled condenser coil  
Valid in United States, Canada, Puerto Rico and U.S. Territories. Contact factory for warranty in other countries.

Shipping: (LxWxH) 33" x 25.25" X 34" Volume: 16.39ft<sup>3</sup>



Condenser	Model	ICE PRODUCTION		WATER USAGE		ELECTRICAL					Heat Rejection BTU/hr.	Refrigerant Charge Amount	Net / Ship Weight (lbs.)
		Air / Water Temp Lbs. per 24 hours 70°/50°F 90°/70°F	Potable Gal. per 100 lbs. 90°/70°F	Condenser Gal. per 100 lbs. 90°/70°F	kWh Used per 100 lbs. 90°/70°F	Min. Circuit Amp - Max. Fuse/Breaker	Amperage	Voltage	Circuit Wires (including ground)				
Air	KM-350MAJ ★	489 393	14.5	N/A	5.42	15A	9.05A	115V/60/1	3	5,700	1 lb. 3.4 oz.	125 / 145	
Water	KM-350MWJ	414 383	15.5	109	4.90	15A	7.5A	115V/60/1	3	6,600	11.6 oz.	126 / 146	
Air	KM-520MAJ ★	556 480	14.7	N/A	4.68	20A	10.6A	115V/60/1	3	6,600	1 lb. 10.8 oz.	131 / 175	
Water	KM-520MWJ	474 444	14.8	75	4.65	20A	8.45A	115V/60/1	3	6,300	12.7 oz.	127 / 173	
Remote	KM-520MRJ ★	547 495	13.6	N/A	4.80	20A	12.05A	115V/60/1	3	6,200	2 lb. 4.7 oz. 4 lb. 2.7 oz. <sup>†</sup>	122 / 170	
Air	KM-660MAJ	665 617	14.8	N/A	5.12	20A	15.2A	115V/60/1	3	8,000	1 lb. 9.8 oz.	131 / 151	
Water	KM-660MWJ	669 668	16.1	152	4.28	20A	12.35A	115V/60/1	3	8,900	15.2 oz.	130 / 146	
Remote	KM-660MRJ	646 602	14.7	N/A	5.60	20A	16.1A	115V/60/1	3	8,100	2 lb. 4.7 oz. 4 lb. 2.7 oz. <sup>†</sup>	122 / 142	

<sup>†</sup> (with condenser)

Power cord not included. Must be hard-wired at site.  
Hoshizaki reserves the right to change specifications without notice.



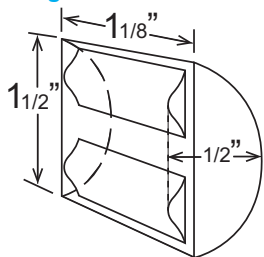
# KM-350/520/660M\_J

## SLIM-LINE MODULAR CRESCENT CUBER



KM-350/520/660M\_J  
12/05/18  
Item # 13260

### KM Edge Cube Dimensions†



† approximate size in inches, image not to scale

### Operating Limits

- Ambient Temp Range 45 - 100°F
- Water Temp Range 45 - 90°F
- Water Pressure 10 - 113 PSIG
- Voltage Range 104 - 127V

### Service

- Panels easily removed and all components accessible for service.
- Removable/cleanable air filters. (Air-cooled model only)
- Allow 6" (15 cm) clearance at rear, sides, and top for proper air circulation and ease of maintenance/service.

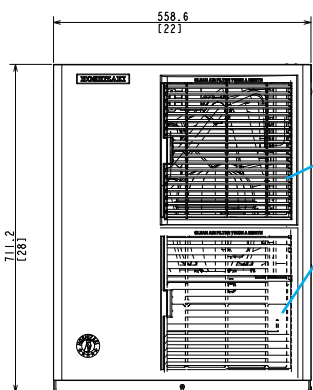
### Plumbing

- Icemaker water supply line: minimum 1/4" nominal ID copper water tubing or equivalent
- Icemaker drain line: minimum 3/4" nominal ID hard pipe or equivalent Water-Cooled Model (Lines Must Be Independent of Icemaker)
- Condenser water supply line: minimum 1/4" nominal ID copper water tubing or equivalent
- Condenser drain/return line: minimum 1/4" nominal ID hard pipe (open drain system) or copper water tubing (closed loop system) or equivalent

### Water Filter

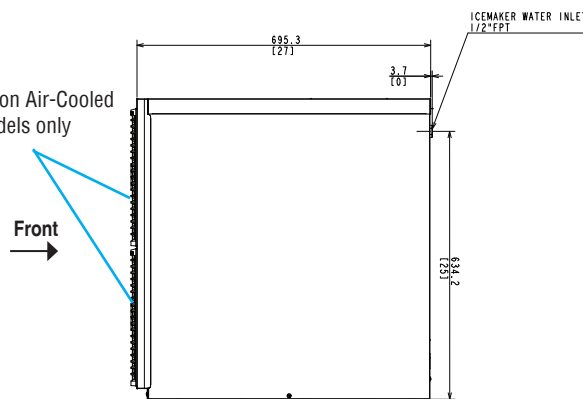
Please refer to water filter specification sheet for recommendations.

FRONT VIEW



Louvers on Air-Cooled models only

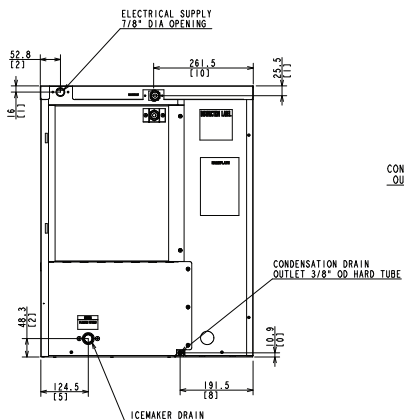
SIDE VIEW



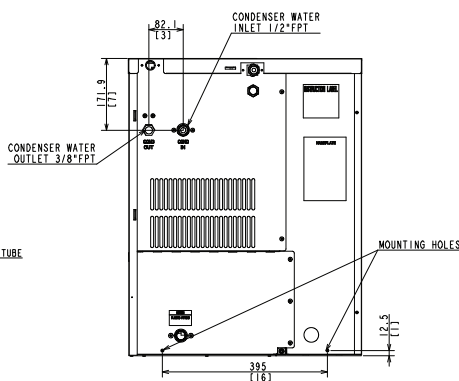
Louvers on Air-Cooled models only

Front

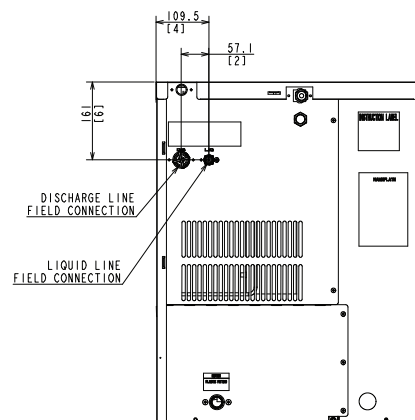
REAR VIEW



AIR-COOLED

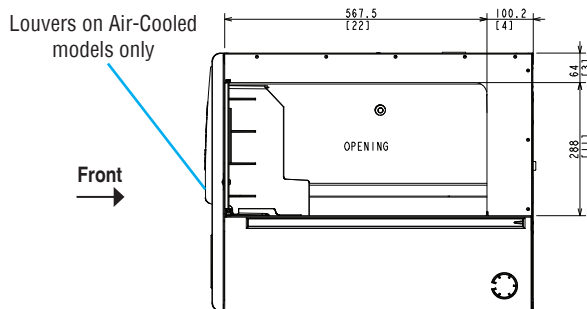


WATER-COOLED



REMOTE AIR-COOLED

BOTTOM VIEW



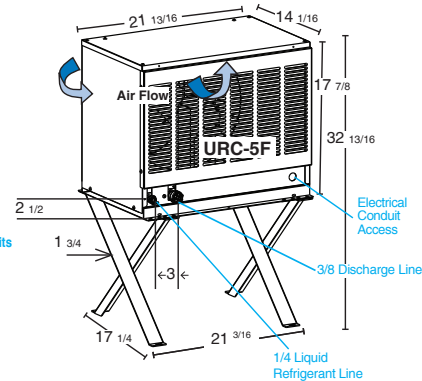
Louvers on Air-Cooled models only

Front

### URC-5F Remote Condenser (Sold Separately)

(W x D x H) 21 13/16 x 14 1/16 x 32 13/16

For Use with KM-520MRJ and KM-660MRJ



Pre-Charged Tubing Kits (Sold Separately)  
20' R404-2046-2  
35' R404-3546-2  
Voltage supply for the URC Remote Condenser is supplied from the Ice Maker. No additional circuit is required.