



# KMD-850MAH

MODULAR CRESCENT CUBER



KMD-850MAH  
03/31/17  
Item # 13230


Item #: \_\_\_\_\_  
Project: \_\_\_\_\_  
Qty: \_\_\_\_\_  
AIA#: \_\_\_\_\_



**W x D x H**  
30" x 24<sup>5/8</sup>" x 28"

**KMD-850MAH**  
Air-Cooled  
Shown on optional  
Lancer 30" dispenser



## Features

- ▶ Individual crescent cube
- ▶ Stainless steel evaporator
- ▶ CycleSaver™ design 

- Up to 772 lbs. of ice production per 24 hours
- Durable stainless steel exterior
- Protected by H-Guard Plus  Antimicrobial Agent
- EverCheck™ alert system 
- Removable air filters
- R-404A Refrigerant

### Available on Bins:

**B-250PF BD-500PF/SF B-800PF/SF B-1150SS B-1500SS\***  
**B-500PF/SF B-700PF/SF B-900PF/SF B-1300SS B-1650SS\***

*Top kit may be required. See Bin Spec Sheets. \*Two unit application only.*

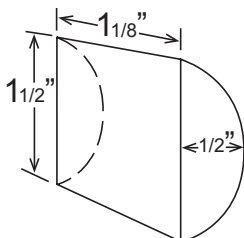
### Warranty:

3 Year Parts & Labor on entire machine. 5 Year Parts & Labor on Evaporator. 5 Year Parts on Compressor; air-cooled condenser coil. Valid in United States, Canada, Puerto Rico and U.S. Territories. Contact factory for warranty in other countries.



Condenser	Model	ICE PRODUCTION				WATER USAGE			ELECTRICAL			Heat Rejection BTU/hr.	Shipping Weight	ENERGY STAR®
		Air / Water Temp Lbs. per 24 hours		Per Cycle		Potable Gal. per 100 lbs.	Condenser Gal. per 100 lbs.	kWh Used per 100 lbs.	Max. Fuse Size or HACR Circuit Breaker	Amperage	Voltage			
		70°/50°F	90°/70°F	Lbs.	Cubes	90°/70°F	90°/70°F	90°/70°F						
Air-Cooled	KMD-850MAH	772	625	11.7	624	34.0	N/A	6.2	20A	9.8A	208-230V/60/1	14,100	249 lbs.	

### KM Cube Dimensions\*



\* approximate size in inches, image not to scale

### Operating Limits

- Ambient Temp Range 45 - 100°F
- Water Temp Range 45 - 90°F
- Water Pressure 10 - 113 PSIG
- Voltage Range 187 - 253V

### Service

- Panels easily removed and all components accessible for service.
- Allow 6" (15cm) clearance at rear, sides, and top for proper air circulation and ease of maintenance/service.

### Plumbing

- Icemaker Water Supply Line: Minimum 1/4" Nominal ID Copper Water Tubing or Equivalent
- Icemaker Drain Line: Minimum 3/4" Nominal ID Hard Pipe or Equivalent



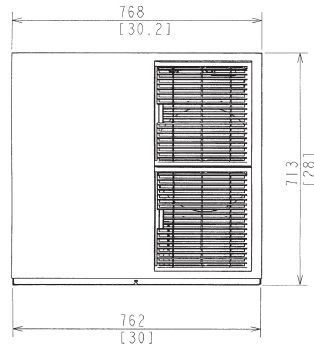
# KMD-850MAH

MODULAR CRESCENT CUBER



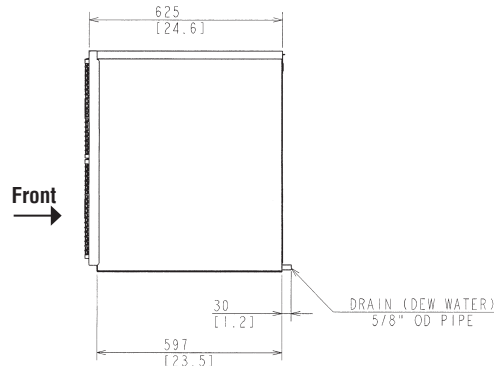
KMD-850MAH  
03/31/17  
Item # 13230

FRONT VIEW



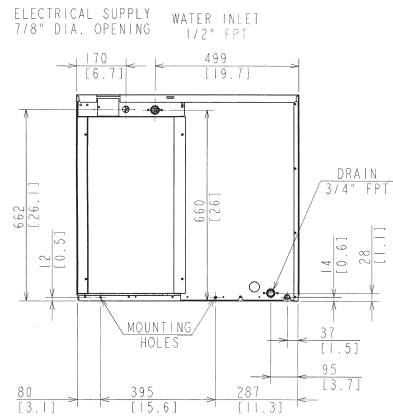
AIR-COOLED

SIDE VIEW



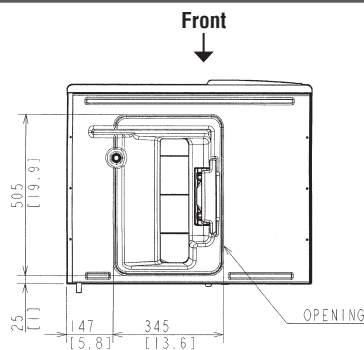
AIR-COOLED

REAR VIEW



AIR-COOLED

BOTTOM VIEW



AIR-COOLED