

# Hoshizaki America, Inc.

## Modular Crescent Cuber

### Models

KMD-90 IMAH

KMD-90 IMWH

KMD-90 IMRH



“A Superior Degree  
of Reliability”

[www.hoshizaki.com](http://www.hoshizaki.com)

## SERVICE MANUAL



Number: 73154  
Issued: 3-28-2008

**IMPORTANT**

Only qualified service technicians should attempt to install, service, or maintain this icemaker. No service or maintenance should be undertaken until the technician has thoroughly read this Service Manual. Failure to service and maintain the equipment in accordance with this manual may adversely affect safety, performance, and warranty coverage.

HOSHIZAKI provides this manual primarily to assist qualified service technicians in the service and maintenance of the icemaker.

Should the reader have any questions or concerns which have not been satisfactorily addressed, please call, write, or send an e-mail message to the HOSHIZAKI Technical Support Department for assistance.

HOSHIZAKI AMERICA, INC.  
618 Highway 74 South  
Peachtree City, GA 30269

Attn: HOSHIZAKI Technical Support Department

Phone: 1-800-233-1940 Technical Service  
(770) 487-2331

Fax: 1-800-843-1056  
(770) 487-3360

E-mail: techsupport@hoshizaki.com

Web Site: [www.hoshizaki.com](http://www.hoshizaki.com)

NOTE: To expedite assistance, all correspondence/communication MUST include the following information:

- Model Number \_\_\_\_\_
- Serial Number \_\_\_\_\_
- Complete and detailed explanation of the problem.

## IMPORTANT

This manual should be read carefully before the icemaker is serviced or maintenance operations are performed. Only qualified service technicians should install, service, and maintain the icemaker. Read the warnings contained in this booklet carefully as they give important information regarding safety. Please retain this booklet for any further reference that may be necessary.

## CONTENTS

I. Specifications.....	5
A. Icemaker .....	5
1. KMD-901MAH (air-cooled) .....	5
2. KMD-901MWH (water-cooled) .....	6
3. KMD-901MRH (remote air-cooled) .....	7
B. Condenser Unit .....	8
1. URC-9F .....	8
II. General Information .....	10
A. Construction .....	10
1. KMD-901MAH (air-cooled) .....	10
2. KMD-901MWH (water-cooled) .....	11
3. KMD-901MRH (remote air-cooled) .....	12
B. Sequence of Operation .....	13
1. One Minute Fill Cycle .....	13
2. Initial Harvest Cycle .....	13
3. Freeze Cycle .....	13
4. Pump-Out Cycle .....	13
5. Normal Harvest Cycle .....	14
C. Control Board .....	16
1. Control Board Layout .....	17
2. Features.....	18
a) Maximum Water Supply Period – 6 minutes .....	18
b) Harvest Backup Timer and Freeze Timer .....	18
c) High Temperature Safety .....	18
d) Low Water Safety .....	18
e) High Voltage and Low Voltage Cut-outs .....	18
f) LED Lights and Audible Alarm Safeties .....	19
3. Controls and Adjustments.....	20
a) Default Dip Switch Settings .....	20
b) Harvest Timer (S4 dip switch 1 & 2) .....	20
c) Pump-Out Timer (S4 dip switch 3 & 4).....	21
d) Pump-Out Frequency Control (S4 dip switch 5 & 6) .....	21
e) S4 Dip Switch 7 & 8 .....	22
f) Freeze Timer (S4 dip switch 9 & 10).....	22
g) Float Switch Control (S5 dip switch 1 through 5).....	22
4. Control Board Check Procedure .....	22
5. Control Board Replacement .....	23
D. Harvest Control – Thermistor .....	23

E. Bin Control .....	24
1. Explanation of Operation.....	24
2. Bin Control Check Procedure .....	24
III. Technical Information .....	25
A. Water Circuit and Refrigeration Circuit .....	25
1. KMD-901MAH (air-cooled) .....	25
2. KMD-901MWH (water-cooled) .....	26
3. KMD-901MRH (remote air-cooled) .....	27
B. Wiring Diagrams.....	28
1. KMD-901MAH and KMD-901MWH .....	28
2. KMD-901MRH .....	29
C. Performance Data .....	30
1. KMD-901MAH (air-cooled) .....	30
2. KMD-901MWH (water-cooled) .....	31
3. KMD-901MRH (remote air-cooled) .....	32
IV. Service Diagnosis.....	33
A. 10-Minute Diagnostic Procedure .....	33
B. Diagnostic Charts.....	34
1. No Ice Production.....	34
2. Evaporator is Frozen Up .....	38
3. Low Ice Production .....	39
4. Abnormal Ice .....	39
5. Other.....	40
V. Removal and Replacement of Components .....	41
A. Service for Refrigerant Lines.....	41
1. Refrigerant Recovery .....	41
2. Brazing .....	41
3. Evacuation and Recharge (R-404A).....	42
B. Removal and Replacement of Compressor.....	43
C. Removal and Replacement of Expansion Valve.....	44
D. Removal and Replacement of Hot Gas Valve or Line Valve .....	45
E. Removal and Replacement of Evaporator.....	46
F. Removal and Replacement of Water Regulating Valve - Water-Cooled Model Only ....	46
G. Adjustment of Water Regulating Valve - Water-Cooled Model Only .....	47
H. Removal and Replacement of Headmaster (Condensing Pressure Regulator - C.P.R.) - Remote Air-Cooled Model Only.....	48
I. Removal and Replacement of Thermistor .....	49
J. Removal and Replacement of Fan Motor.....	50
K. Removal and Replacement of Inlet Water Valve or Drain Valve .....	50
L. Removal and Replacement of Pump Motor .....	51
M. Removal and Replacement of Bin Control.....	52
VI. Cleaning and Maintenance.....	53
A. Cleaning and Sanitizing Instructions.....	53
1. Cleaning Procedure.....	54
2. Sanitizing Procedure - Following Cleaning Procedure .....	55
B. Maintenance.....	56
C. Preparing the Icemaker for Long Storage .....	57

# I. Specifications

## A. Ice maker

### 1. KMD-901MAH (air-cooled)

AC SUPPLY VOLTAGE	208-230/60/1 (3 wire with neutral for 115V)			
AMPERAGE	10.8 A ( 5 Min. Freeze AT 104°F / WT 80°F)			
MINIMUM CIRCUIT AMPACITY	20 A			
MAXIMUM FUSE SIZE	20 A			
APPROXIMATE ICE PRODUCTION PER 24 HR. lbs./day ( kg/day ) Reference without *marks	Ambient Temp.(°F)	WATER TEMP. (°F)		
		50	70	90
	70	*890 (404)	864 (392)	803 (364)
	80	870 (395)	830 (376)	754 (342)
	90	864 (392)	*801 (363)	730 (331)
	100	843 (382)	784 (356)	665 (302)
SHAPE OF ICE	Crescent Cube			
ICE PRODUCTION PER CYCLE	11.6 lbs. (5.3 kg) 624pcs.			
APPROXIMATE STORAGE CAPACITY	N/A			
ELECTRIC & WATER CONSUMPTION	90/70°F	70/50°F		
ELECTRIC W (kWH/100 lbs.)	1940(5.8)	1810(4.9)		
WATER gal./24HR (gal./100 lbs.)	160(20.0)	372(41.8)		
EXTERIOR DIMENSIONS (WxDxH)	42" x 24-5/8" x 28" (1067 x 625 x 713 mm)			
EXTERIOR FINISH	Stainless Steel, Galvanized Steel (Rear)			
WEIGHT	Net 240 lbs. (109 kg), Shipping 278 lbs. (126 kg)			
CONNECTIONS - ELECTRIC	Permanent - Connection			
- WATER SUPPLY	Inlet	1/2" FPT		
- DRAIN	Outlet	3/4" FPT		
		5/8" OD Tube		
CUBE CONTROL SYSTEM	Float Switch			
HARVESTING CONTROL SYSTEM	Hot Gas and Water, Thermistor and Timer			
ICE MAKING WATER CONTROL	Timer Controlled. Overflow Pipe			
COOLING WATER CONTROL	N/A			
BIN CONTROL SYSTEM	Mechanical Lever Switch and Timer			
COMPRESSOR	Hermetic, Model CS12K6E-PFV-237			
CONDENSER	Air-Cooled , Fin and tube type			
EVAPORATOR	Vertical type, Stainless Steel and Copper			
REFRIGERANT CONTROL	Thermostatic Expansion Valve			
REFRIGERANT CHARGE	R404A, 4 lb. 3 oz. (1900g)			
DESIGN PRESSURE	High 467PSIG, Low 230PSIG			
P.C. BOARD CIRCUIT PROTECTION	High Voltage Cut-out ( Internal )			
COMPRESSOR PROTECTION	Auto-reset Overload Protector ( Internal )			
REFRIGERANT CIRCUIT PROTECTION	Auto-reset High Pressure Control Switch			
LOW WATER PROTECTION	Float Switch			
ACCESSORIES -SUPPLIED	N/A			
-REQUIRED	Ice Dispenser or Ice Storage Bin			
OPERATING CONDITIONS	VOLTAGE RANGE	187 - 253 V		
	AMBIENT TEMP.	45 -100° F		
	WATER SUPPLY TEMP.	45 - 90° F		
	WATER SUPPLY PRESSURE	10 - 113 PSIG		

Note: We reserve the right to make changes in specifications and design without prior notice.

## 2. KMD-901MWH (water-cooled)

AC SUPPLY VOLTAGE	208-230/60/1 (3 wire with netrual for 115V)			
AMPERAGE	7.8A ( 5 Min. Freeze AT 104°F / WT 80°F)			
MINIMUM CIRCUIT AMPACITY	20 A			
MAXIMUM FUSE SIZE	20 A			
APPROXIMATE ICE PRODUCTION PER 24 HR. lbs./day ( kg/day ) Reference without *marks	Ambient Temp.(°F)	WATER TEMP. (°F)		
		50	70	90
	70	*876 (397)	874 (397)	831 (377)
	80	875 (397)	872 (396)	805 (365)
	90	874 (397)	*870 (395)	812 (368)
	100	852 (386)	856 (388)	759 (344)
SHAPE OF ICE	Crescent Cube			
ICE PRODUCTION PER CYCLE	12.3 lbs. (5.6 kg) 624pcs.			
APPROXIMATE STORAGE CAPACITY	N/A			
ELECTRIC & WATER CONSUMPTION	90/70°F	70/50°F		
ELECTRIC W (kWH/100 lbs.)	1520(4.2)	1480(4.1)		
WATER gal./24HR (gal./100 lbs.)	213(24.5)	351(40.1)		
WATER COOLED CONDENSER gal./24HR (gal./100 lbs.)	1088(125)	593(68)		
EXTERIOR DIMENSIONS (WxDxH)	30" x 24-5/8" x 28" (762 x 625 x 713 mm)			
EXTERIOR FINISH	Stainless Steel, Galvanized Steel (Rear)			
WEIGHT	Net 219 lbs. (99 kg), Shipping 251 lbs. (114 kg)			
CONNECTIONS - ELECTRIC	Permanent - Connection			
- WATER SUPPLY	Inlet	1/2" FPT	Cond. Inlet 1/2" FPT	
- DRAIN	Outlet	3/4" FPT	Cond. Outlet 3/8" FPT	
		5/8" OD Tube		
CUBE CONTROL SYSTEM	Float Switch			
HARVESTING CONTROL SYSTEM	Hot Gas and Water, Thermistor and Timer			
ICE MAKING WATER CONTROL	Timer Controlled. Overflow Pipe			
COOLING WATER CONTROL	Pressure Regulator			
BIN CONTROL SYSTEM	Mechanical Lever Switch and Timer			
COMPRESSOR	Hermetic, Model CS10K6E-PFV-237			
CONDENSER	Water-cooled, Tube in tube type			
EVAPORATOR	Vertical type, Stainless Steel and Copper			
REFRIGERANT CONTROL	Thermostatic Expansion Valve			
REFRIGERANT CHARGE	R404A, 2 lb. 3.3 oz. (1000g)			
DESIGN PRESSURE	High 427PSIG, Low 230PSIG			
P.C. BOARD CIRCUIT PROTECTION	High Voltage Cut-out ( Internal )			
COMPRESSOR PROTECTION	Auto-reset Overload Protector ( Internal )			
REFRIGERANT CIRCUIT PROTECTION	Auto-reset High Pressure Control Switch			
LOW WATER PROTECTION	Float Switch			
ACCESSORIES -SUPPLIED	N/A			
-REQUIRED	Ice Dispenser or Ice Storage Bin			
OPERATING CONDITIONS	VOLTAGE RANGE	187 - 253 V		
	AMBIENT TEMP.	45 -100° F		
	WATER SUPPLY TEMP.	45 - 90° F		
	WATER SUPPLY PRESSURE	10 - 113 PSIG		

Note: We reserve the right to make changes in specifications and design without prior notice.

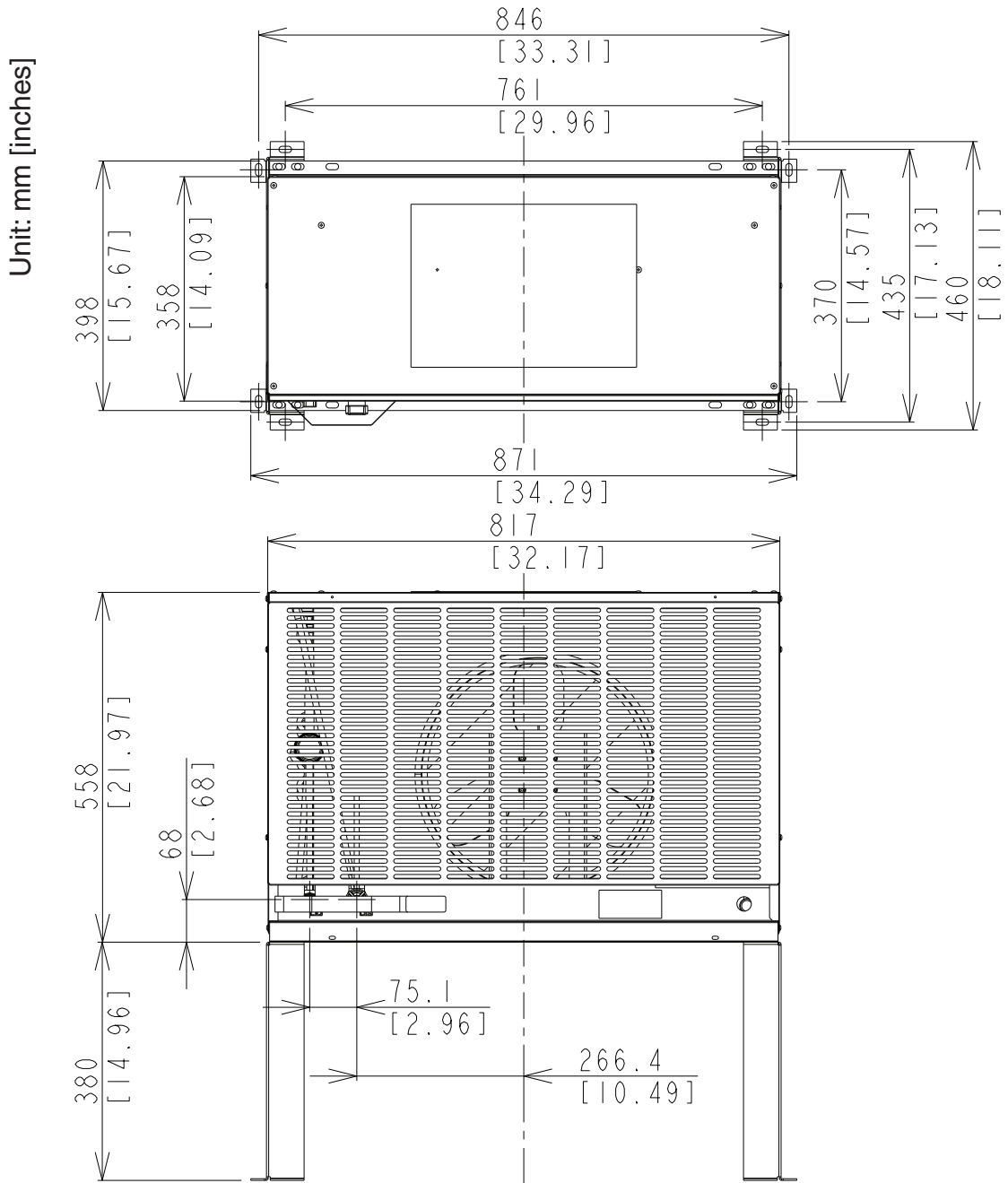
### 3. KMD-901MRH (remote air-cooled)

AC SUPPLY VOLTAGE	208-230/60/1 (3 wire with netrual for 115V)			
AMPERAGE	10.0A ( 5 Min. Freeze AT 104°F / WT 80°F)			
MINIMUM CIRCUIT AMPACITY	20 A			
MAXIMUM FUSE SIZE	20 A			
APPROXIMATE ICE PRODUCTION PER 24 HR. lbs./day ( kg/day ) Reference without *marks	Ambient Temp.(°F)	WATER TEMP. (°F)		
		50	70	90
	70	*848 (385)	827 (375)	768 (348)
	80	832 (377)	798 (362)	723 (328)
	90	827 (375)	*775 (352)	705 (320)
	100	805 (365)	759 (344)	641 (291)
SHAPE OF ICE	Crescent Cube			
ICE PRODUCTION PER CYCLE	12 lbs. (5.4 kg) 624pcs.			
APPROXIMATE STORAGE CAPACITY	N/A			
ELECTRIC & WATER CONSUMPTION	90/70°F	70/50°F		
ELECTRIC W (kWH/100 lbs.)	1710(5.3)	1600(4.5)		
WATER gal./24HR (gal./100 lbs.)	155(20.0)	383(45.2)		
EXTERIOR DIMENSIONS (WxDxH)	30" x 24-5/8" x 28" (762 x 625 x 713 mm)			
EXTERIOR FINISH	Stainless Steel, Galvanized Steel (Rear)			
WEIGHT	Net 226 lbs. (103 kg), Shipping 258 lbs. (117 kg)			
CONNECTIONS - ELECTRIC	Permanent - Connection			
- WATER SUPPLY	Inlet	1/2" FPT		
- DRAIN	Outlet	3/4" FPT		
		5/8" OD Tube		
CUBE CONTROL SYSTEM	Float Switch			
HARVESTING CONTROL SYSTEM	Hot Gas and Water, Thermistor and Timer			
ICE MAKING WATER CONTROL	Timer Controlled. Overflow Pipe			
COOLING WATER CONTROL	N/A			
BIN CONTROL SYSTEM	Mechanical Lever Switch and Timer			
COMPRESSOR	Hermetic, Model CS10K6E-PFV-279			
CONDENSER	Air-Cooled Remote, Condenser Unit URC-9F			
EVAPORATOR	Vertical type, Stainless Steel and Copper			
REFRIGERANT CONTROL	Thermostatic Expansion Valve			
	Condensing Pressure Regulator on URC-9F			
REFRIGERANT CHARGE	R404A, 9 lbs. 14.7 oz. (4500g) (Icemaker 5 lbs. 15.9 oz. Cond. Unit 3 lbs. 14.8 oz.)			
DESIGN PRESSURE	High 467PSIG, Low 230PSIG			
P.C. BOARD CIRCUIT PROTECTION	High Voltage Cut-out ( Internal )			
COMPRESSOR PROTECTION	Auto-reset Overload Protector ( Internal )			
REFRIGERANT CIRCUIT PROTECTION	Auto-reset High Pressure Control Switch			
LOW WATER PROTECTION	Float Switch			
ACCESSORIES -SUPPLIED	N/A			
-REQUIRED	Ice Dispenser or Ice Storage Bin, Remote Condenser Unit			
OPERATING CONDITIONS	VOLTAGE RANGE	187 - 253 V		
	AMBIENT TEMP.	45 -100° F		
	WATER SUPPLY TEMP.	45 - 90° F		
	WATER SUPPLY PRESSURE	10 - 113 PSIG		

Note: We reserve the right to make changes in specifications and design without prior notice.

## B. Condenser Unit

### 1. URC-9F





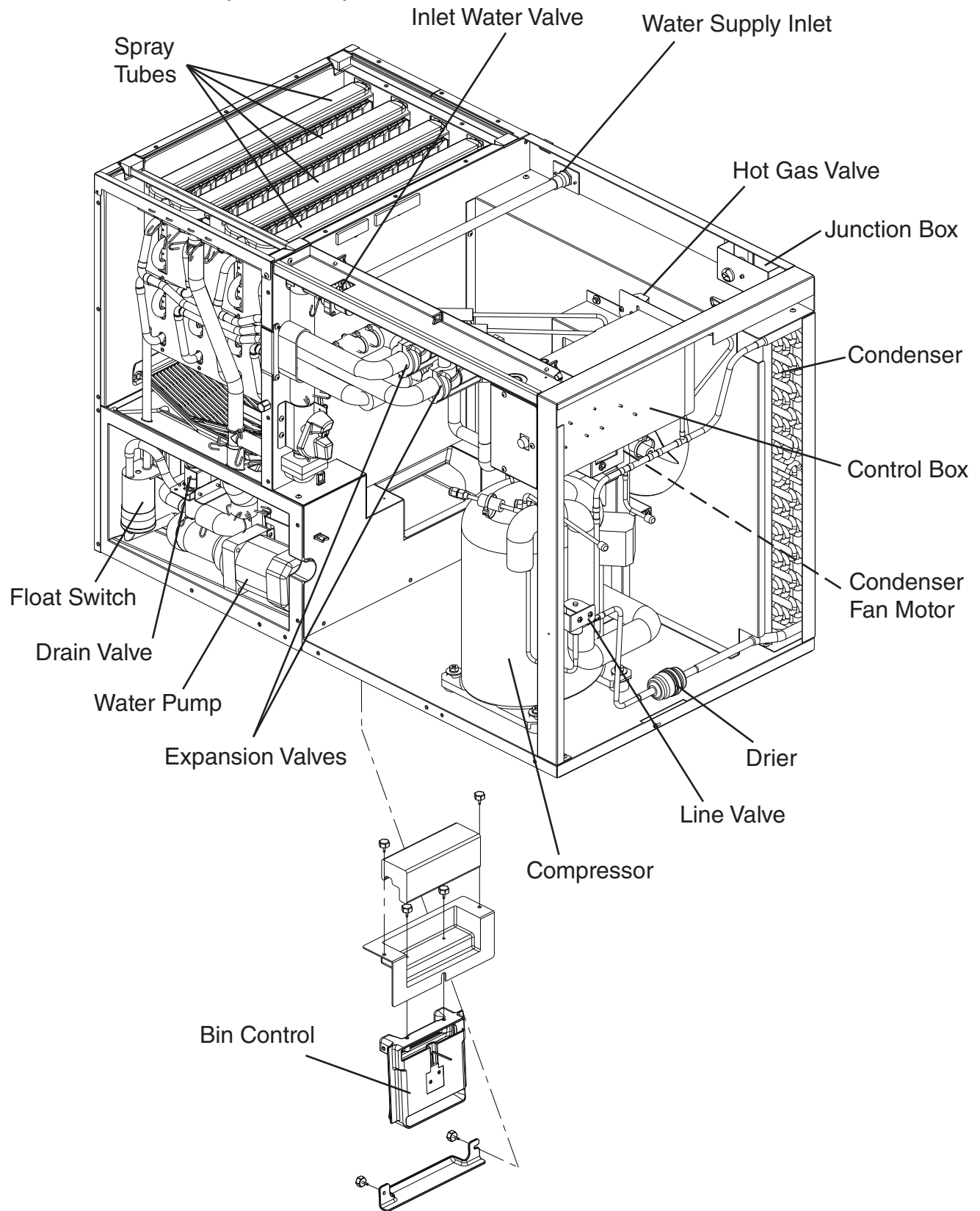
AC SUPPLY VOLTAGE	115/60/1 (Connection to Icemaker)		
FAN MOTOR	115 V	Total 1.3FLA	65W
EXTERIOR DIMENSIONS (WxDxH)	32-3/16" x 15-11/16" x 21-15/16" (817 x 398 x 558 mm)		
DIMENSIONS INCLUDING LEGS (WxDxH)	34-5/16" x 18-1/8" x 36-15/16" (871 x 460 x 938 mm)		
EXTERIOR FINISH	Galvanized Steel		
WEIGHT	Net 81 lbs. ( 37 kg )    Shipping 92 lbs. ( 42 kg )		
CONNECTIONS - ELECTRIC	Permanent - Connection		
- REFRIGERANT	Discharge Line 1-1/16"-12 UNF Fitting (#10 AEROQUIP)		
	Liquid Line    5/8"-18 UNF Fitting (#6 AEROQUIP)		
CONDENSER	Air-cooled, Fin and tube type		
FAN MOTOR PROTECTION	Thermal Protection		
REFRIGERANT CONTROL	Condensing Pressure Regulator		
REFRIGERANT CHARGE	R-404A    3 lbs. 14.8 oz. (1780g)		
DESIGN PRESSURE	High 467 PSIG		
OPERATING CONDITIONS	VOLTAGE RANGE	104 ~ 127 V	
	AMBIENT TEMP.	-20 ~ 122 °F	
ACCESSORIES -SUPPLIED	Leg		2 pcs
	Hex. Head Bolt w/Washer	8 x 16	8 pcs
	Hex. Nut	8	8 pcs

Note: We reserve the right to make changes in specifications and design without prior notice.

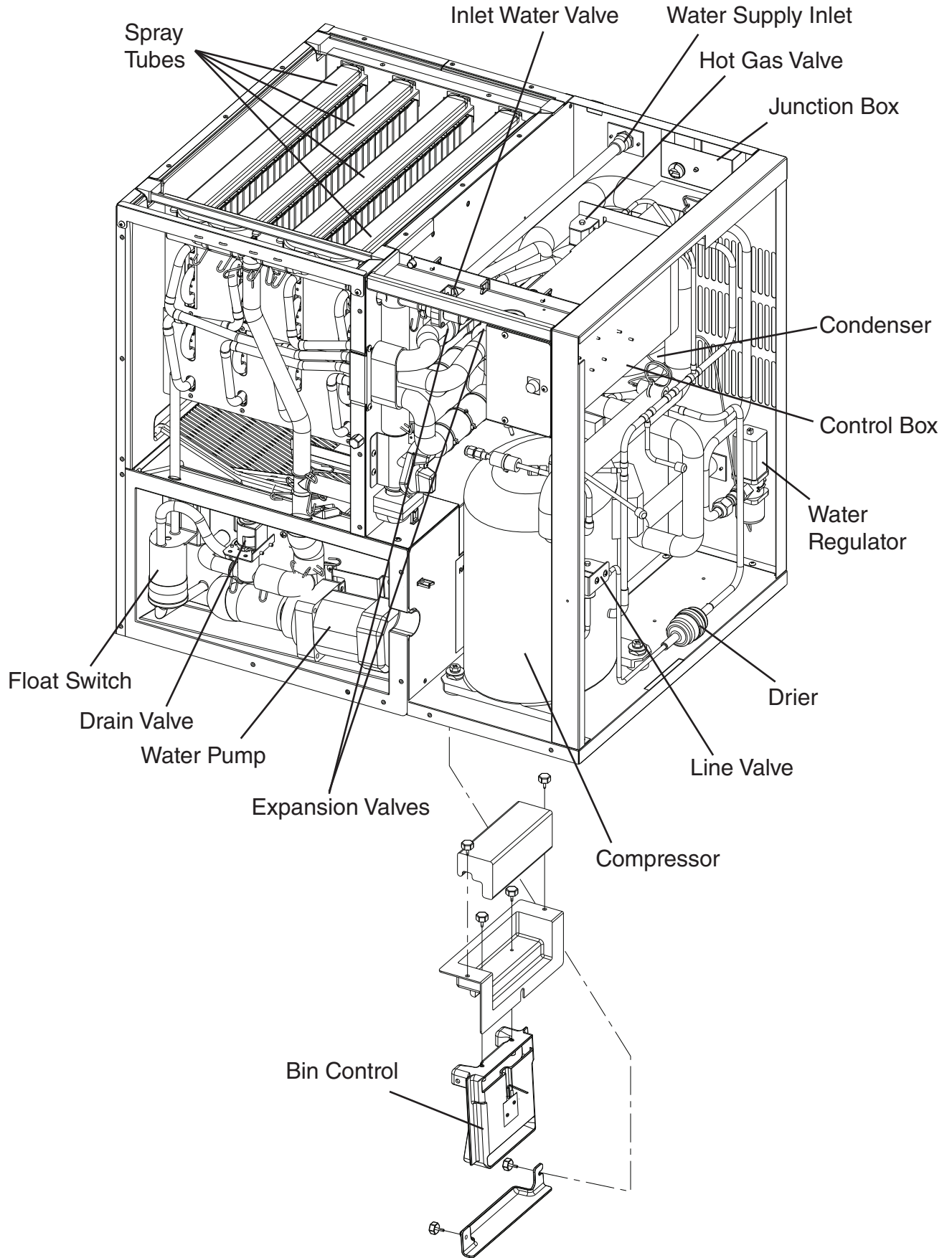
## II. General Information

### A. Construction

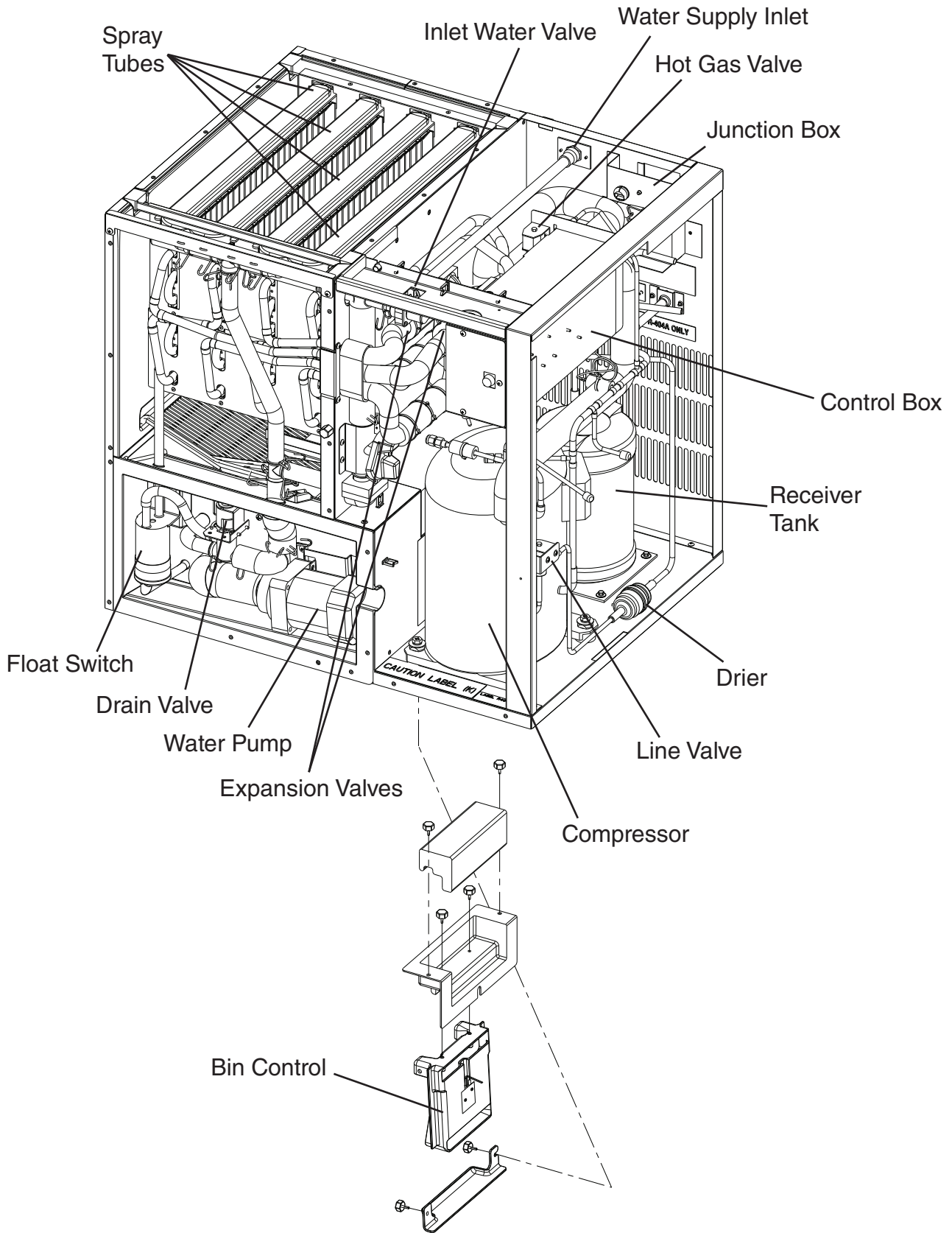
#### 1. KMD-901MAH (air-cooled)



## 2. KMD-901MWH (water-cooled)



### 3. KMD-901MRH (remote air-cooled)



## **B. Sequence of Operation**

The steps in the sequence are as outlined below. When power is supplied, the red "POWER OK" LED and the green "BC CLOSED" LED on the control board come on (If the yellow "BC OPEN" LED is on, the unit will not start. In this case clear ice away from the bin control actuator). A 5-second delay occurs at startup. Note that the order of the green sequence LEDs from the outer edge of the board is 1, 4, 3, 2.

### **1. One Minute Fill Cycle**

LED 4 is on. WV opens and the fill period begins. After 1 minute, the board checks for a closed F/S. If F/S is closed, the harvest cycle begins. If not, WV will remain energized through additional 1 minute cycles until water enters the sump and F/S closes. This serves as a low water safety to protect the water pump.

### **2. Initial Harvest Cycle**

LEDs 1, 4, and 2 are on. WV remains open, Comp, FMR, HGV energize. The control board monitors the warming of the evaporator via the thermistor located on the suction line. When the thermistor reaches 48°F (9°C), the control board reads a 3.9 kΩ signal from the thermistor and turns harvest termination over to the adjustable harvest timer which is factory set for normal conditions. The timer has settings of 60, 90, 120, and 180 seconds (S4 dip switch 1 & 2). For details, see "II.C.3.b) Harvest Timer." When the harvest timer completes its countdown, the harvest cycle is complete and the freeze cycle starts. The minimum total time allowed by the board for a complete harvest cycle is 2 minutes. WV is open during harvest for a maximum of 6 minutes or the length of harvest minus 50 seconds, whichever is shorter. LED 4 goes off when WV closes. PM energizes and runs for the last 50 seconds of harvest. LED 3 comes on when PM energizes. At the end of harvest, the control board checks the position of F/S and proceeds to the freeze cycle if it is closed or calls for a 1-minute fill if it is open.

### **3. Freeze Cycle**

LED 1 is on. Comp, FMR, and PM continue to run, FMS energizes, LLV opens, HGV closes and the freeze cycle starts. For the first 5 minutes the control board will not accept a signal from F/S. This 5 minute minimum freeze acts as a short cycle protection. At the end of 5 minutes, F/S assumes control. As ice builds on the evaporator the water level in the sump lowers. The freeze continues until F/S opens and terminates ice production.

### **4. Pump-Out Cycle**

LEDs 1, 4, 3, and 2 are on. With S4 dip switch 5 and 6 in the factory default position, the 1st pump out occurs after the 11th freeze cycle and every 10th cycle thereafter. Comp and FMR continue to run, DV and WV open, HGV opens, LLV closes, and FMS de-energizes. PM stops for 2 seconds. SR energizes, restarting PM and taking water from the sump and forcing it to go through DV and down the drain. At the same time, water flows through the vent tube to power flush the F/S. After 10 seconds, the pump out is complete. The pump-out frequency control is factory-adjusted to drain the water tank every 10 cycles, and no adjustment is required. However, where water quality is bad and the icemaker needs a pump out more often, the pump-out frequency can be adjusted. The pump-out frequency control can be set to have a pump out occur every cycle, or every 2, 5, or 10 cycles (S4 dip switch 5 & 6). For details, see "II.C.3.d) Pump-Out Frequency Control."

## 5. Normal Harvest Cycle

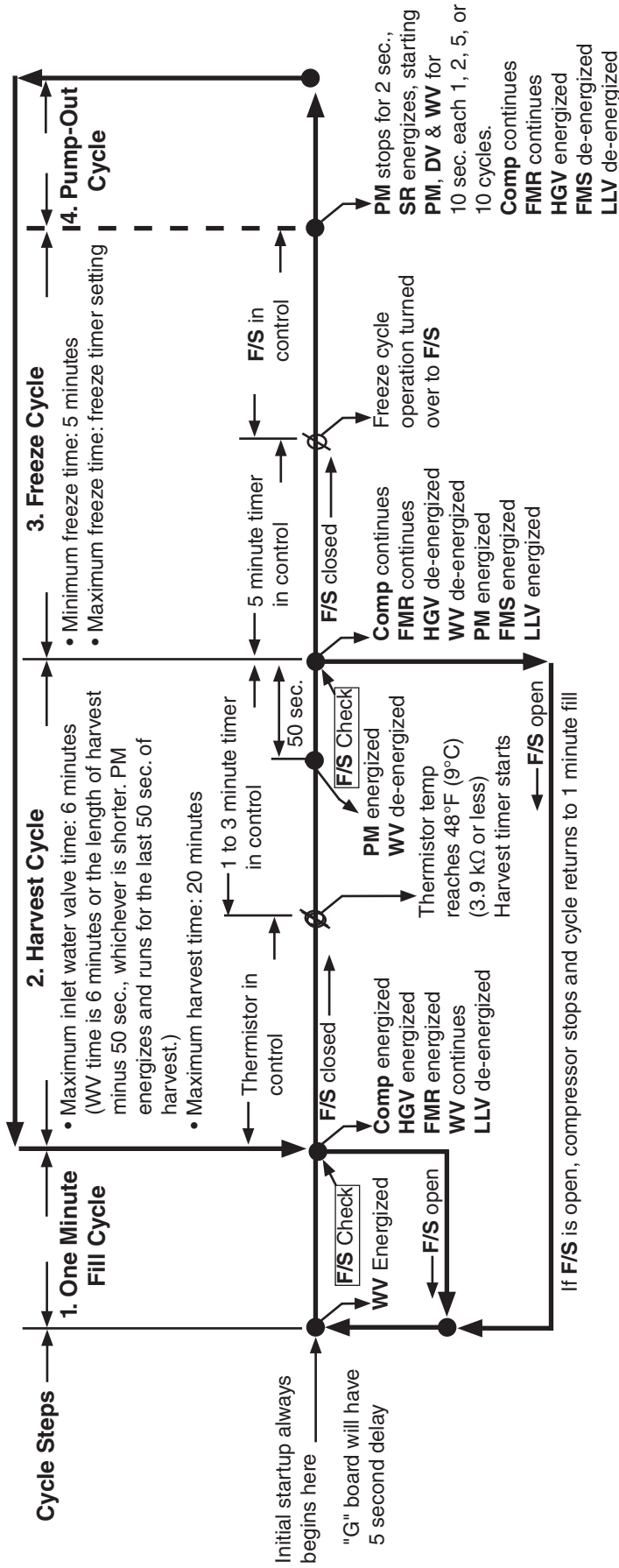
LEDs 1, 4, and 2 are on. Comp, FMR, and HGV remain energized and WV opens. PM stops. As the evaporator warms, the thermistor reaches 48°F (9°C). The control board then receives the thermistor's 3.9 kΩ signal and starts the harvest timer. When the harvest timer completes its countdown, the harvest cycle is complete. The minimum total time allowed by the board for a complete harvest cycle is 2 minutes. WV is energized during harvest for a maximum of 6 minutes or the length of harvest minus 50 seconds, whichever is shorter. LED 4 goes off when WV closes. PM energizes and runs for the last 50 seconds of harvest. LED 3 comes on when PM energizes. At the end of harvest, the control board checks the position of F/S and proceeds to the freeze cycle if it is closed or calls for a 1-minute fill if it is open.

The unit continues to cycle through freeze and harvest cycles until the bin control activates (opens) and shuts the unit down.

Note: To prevent incomplete batches of ice from forming on the evaporator, the control board will only shut down the machine within the first 5 minutes of the freeze cycle. If ice pushes the bin control actuator in (open) after the first five minutes of the freeze cycle, the control board will allow the machine to complete the freeze cycle and the following harvest cycle before shutting down the machine.

Legend: **Comp**—compressor; **DV**—Drain Valve; **FMR**—remote fan motor; **FMS**—self-contained fan motor; **F/S**—float switch; **HGV**—hot gas valve; **LLV**—Liquid Line Valve; **PM**—pump motor; **SR**—service relay; **WV**—inlet water valve

# KMD-901MAH, KMD-901MWH, and KMD-901MRH Sequence Flow Chart and Component Operation



- Legend:**
- Comp—compressor
  - DV—drain valve
  - FMR—remote fan motor
  - FMS—self-contained fan motor
  - F/S—float switch
  - HGV—hot gas valve
  - LLV—liquid line valve
  - PM—pump motor
  - SR—service relay
  - WV—inlet water valve

## Components Energized when the Control Switch is in the "WASH" Position

The "WASH" position on the control switch is used when cleaning and sanitizing the unit. When in the "WASH" position, power is supplied to the pump motor. With the cleaning valve closed, the cleaner and sanitizer flow over the outside of the evaporator plate assembly. With the cleaning valve open, the cleaner and sanitizer flow over both the outside and the inside of the evaporator plate assembly.

Note: Close the cleaning valve after cleaning and sanitizing are complete, otherwise the unit will not re-start when the control switch is placed in the "ICE" position.

## C. Control Board

- A HOSHIZAKI exclusive solid-state control is employed in KMD-901MAH, KMD-901MWH, and KMD-901MRH Modular Crescent Cubers.
- All models are pretested and factory-adjusted.

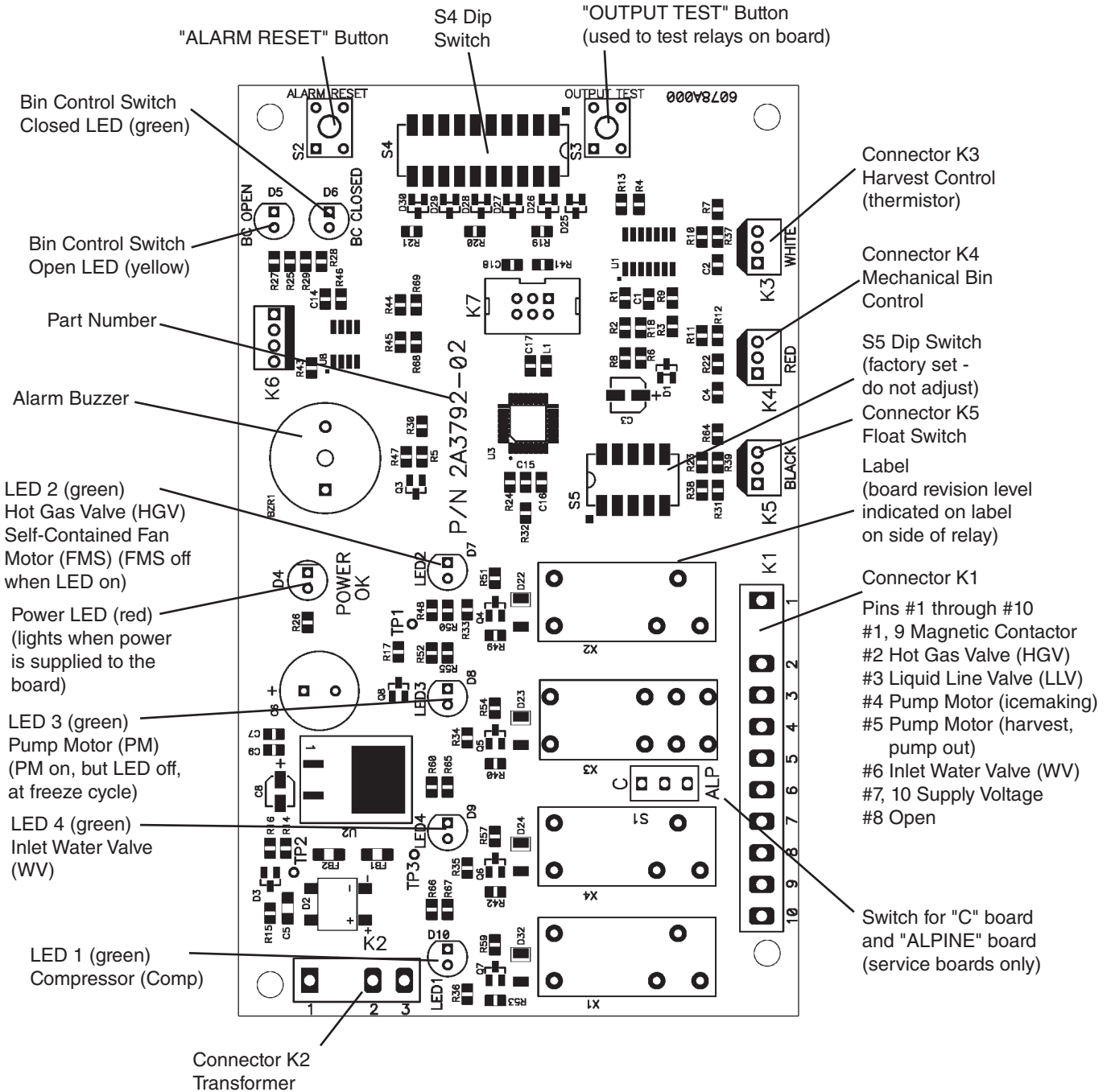
### CAUTION

1. Fragile, handle very carefully.
2. The control board contains integrated circuits, which are susceptible to failure due to static discharge. It is especially important to touch the metal part of the unit before handling or replacing the board.
3. Do not touch the electronic devices on the board or the back of the board to prevent damage to the board.
4. Do not change wiring and connections. Do not misconnect K3, K4, and K5, because the same connector is used for the thermistor, mechanical bin control, and float switch.
5. Always replace the whole board assembly if it goes bad.
6. Do not short out power supply to test for voltage.



# 1. Control Board Layout

## Control Products "G" Control Board



Control Board	
Part Number	2A3792-01 (factory); 2A3792-02 (service)

## 2. Features

### a) **Maximum Water Supply Period – 6 minutes**

The inlet water valve will be open during harvest for 6 minutes or the length of harvest minus 50 seconds, whichever is shorter.

### b) **Harvest Backup Timer and Freeze Timer**

The harvest backup timer shuts down the icemaker if, for two cycles in a row, the harvest cycle takes more than 20 minutes to complete. The control board will signal this problem using 2 beeps every 3 seconds.

The freeze timer shuts down the icemaker if, for two cycles in a row, the freeze cycle takes longer than the time specified to complete. The control board will signal this problem using 3 beeps every 3 seconds. The time is factory set using S4 dip switch 9 & 10.

The "ALARM RESET" button on the control board must be pressed with power on to reset either of these safeties.

### c) **High Temperature Safety**

The temperature of the suction line in the refrigeration circuit is limited by the high temperature safety. This protects the unit from excessively high temperatures. If the evaporator temperature rises above  $127 \pm 7^{\circ}\text{F}$  ( $53 \pm 4^{\circ}\text{C}$ ), the control board reads a .804 k $\Omega$  signal from the thermistor and operates the safety. This shuts down the circuit and the icemaker automatically stops.

The control board will signal this problem using 1 beep every 3 seconds. The "ALARM RESET" button on the control board must be pressed with power on to reset the safety.

### d) **Low Water Safety**

The control board checks the position of the float switch at the end of the initial one minute water fill cycle and at the end of each harvest cycle. If the float switch is in the up position (electrical circuit closed), the control board changes to the ice making cycle. If the float switch is in the down position (electrical circuit open), the control board changes to additional one minute water fill cycles until water enters the sump and the float switch closes. When the float switch closes, the control board changes to the ice making cycle. The unit will not start without adequate water in the sump. This serves as a low water safety to protect the water pump.

For water-cooled model, if the water is shut off, the unit is protected by the high pressure switch.

### e) **High Voltage and Low Voltage Cut-outs**

The maximum and minimum allowable supply voltages of this icemaker are limited by the high voltage and low voltage cut-outs.

If miswiring (especially on single phase 3 wire models) causes excessive voltage (147Vac  $\pm 5\%$  or more) on the control board, the high voltage cut-out shuts down the circuit in 3 seconds and the icemaker automatically stops. The control board will signal this problem using 7 beeps every 3 seconds.

The icemaker also automatically stops in cases of insufficient voltage (92Vac  $\pm 5\%$  or less). The control board will signal this problem using 6 beeps every 3 seconds.

When the proper supply voltage is resumed, the icemaker *automatically* starts running again.

**f) LED Lights and Audible Alarm Safeties**

The red LED indicates proper control voltage and will remain on unless a control voltage problem occurs. At startup a 5 second delay occurs while the board conducts an internal timer check. A beep occurs when the control switch is moved to the "ICE" position.

The green LEDs 1 through 4 energize and sequence from initial startup as listed in the table below. Note that the order of the LEDs from the outer edge of the board is 1, 4, 3, 2. For more information, see "II.B. Sequence of Operation."

Sequence Step	LED	Energized Components	Time LEDs are On		
			Min.	Max.	Avg.
1 Minute Fill Cycle	4	WV			60 seconds
Harvest Cycle	1, 4, and 2	WV, HGV, Comp, FMR	2 minutes	20 minutes	3 to 5 minutes
Last 50 seconds of harvest, WV de-energizes and PM energizes. LEDs 1, 3, and 2 are on.					
Freeze Cycle	1	Comp, PM, FMR/FMS, LLV	5 minutes	freeze timer setting	30 to 35 minutes
Pump-Out Cycle	1, 4, 3, and 2	Comp, HGV, SR, PM, DV, FMR, WV	10 seconds	10 seconds	10 seconds
For proper operation, the pump-out timer must remain in the factory default position.					

The built in safeties shut down the unit and have alarms as listed below.

No. of Beeps (every 3 sec.)	Type of Alarm	Notes
1	High Evaporator Temp. (temperature > 127°F) (53°C)	Check for harvest problem (stuck HGV or relay), hot water entering unit, stuck HM, or shorted thermistor.
2	Harvest Backup Timer (harvest > 20 min. for two cycles in a row)	Check for open thermistor, HGV not opening, TXV leaking by, low charge, or inefficient Comp.
3	Freeze Timer (freeze > specified setting for two cycles in a row) Timer is factory set using S4 dip switch 9 & 10	Check for F/S stuck closed (up), WV leaking by, HGV leaking by, TXV not feeding properly, low charge, HM not bypassing, or inefficient compressor.
To reset the above safeties, press the "ALARM RESET" button with the power supply on.		
6	Low Voltage (92Vac ±5% or less)	Red LED will turn off if voltage protection operates.
7	High Voltage (147Vac ±5% or more)	The control voltage safeties automatically reset when voltage is corrected.

Legend: **Comp**—compressor; **DV**—drain valve; **FMR**—remote fan motor; **FMS**—self-contained fan motor; **F/S**—float switch; **HGV**—hot gas valve; **HM**—headmaster (C.P.R.); **LLV**—liquid line valve; **PM**—pump motor; **TXV**—thermostatic expansion valve; **WV**—inlet water valve

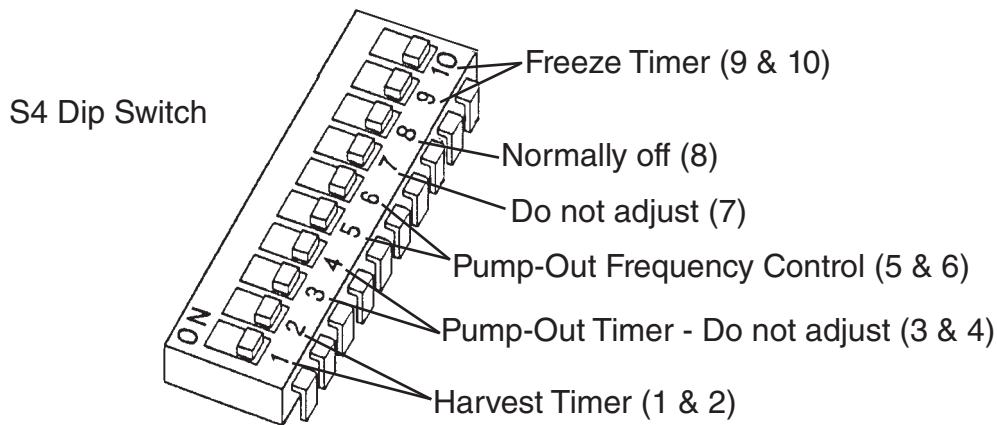
### 3. Controls and Adjustments

#### a) Default Dip Switch Settings

The dip switches are factory-adjusted to the following positions:

S4 Dip Switch										
Dip Switch No.	1	2	3	4	5	6	7	8	9	10
KMD-901MAH	OFF	OFF	OFF	ON	ON	ON	ON	OFF	OFF	OFF
KMD-901MWH	OFF	OFF	OFF	ON	ON	ON	ON	OFF	OFF	OFF
KMD-901MRH	OFF	OFF	OFF	ON	ON	ON	ON	OFF	OFF	OFF

S5 Dip Switch (Do Not Adjust)					
Dip Switch No.	1	2	3	4	5
KMD-901MAH	OFF	OFF	OFF	OFF	OFF
KMD-901MWH	OFF	OFF	OFF	OFF	OFF
KMD-901MRH	OFF	OFF	OFF	OFF	OFF



#### b) Harvest Timer (S4 dip switch 1 & 2)

The harvest timer starts counting when the thermistor reads 48°F (9°C) at the evaporator outlet. No adjustment is required under normal use, as the harvest timer is adjusted to the suitable position. However, a setting longer than the factory setting may be advised in cases where the flush provided at harvest needs to be prolonged for extra cleaning. Before changing this setting, call the HOSHIZAKI Technical Support Department at 1-800-233-1940 for recommendations. Keep in mind that setting the harvest timer to a longer setting will decrease 24 hour production.

Dip Switch Setting		Time (seconds)
No. 1	No. 2	
OFF	OFF	60
ON	OFF	90
OFF	ON	120
ON	ON	180

**c) Pump-Out Timer (S4 dip switch 3 & 4)**

**CAUTION**

Leave in the factory default position; otherwise, the drain valve and water valve will not operate at pump out.

When a freeze cycle is completed, the pump motor stops, and the icemaker resumes operation in 2 seconds. Then, during cycles when a pump out is called for, the pump motor drains the water tank for the time determined by the pump-out timer. The pump-out timer also acts in place of the harvest timer during cycles with a pump out. The pump-out timer setting also determines whether the inlet water valve is open or closed during pump-out.

The pump-out timer is factory-adjusted. Leave in the factory default position; otherwise, the drain valve and inlet water valve will not operate at pump out.

Dip Switch Setting		Time (seconds)		Inlet Water Valve
No. 3	No. 4	T1	T2	
OFF	OFF	10	150	closed
ON	OFF	10	180	closed
OFF	ON	10	120	open
ON	ON	20	180	closed

T1: Time to drain the water tank

T2: Harvest timer at pump out

Depending on the pump-out frequency control setting (dip switch 5 & 6), pump out occurs every cycle, or every 2nd, 5th, or 10th cycle.

**d) Pump-Out Frequency Control (S4 dip switch 5 & 6)**

The pump motor drains the water tank at the frequency set by the pump-out frequency control.

The pump-out frequency control is factory-adjusted to drain the water tank every 10 cycles, and no adjustment is generally required. With dip switches 5 and 6 in the factory default position, the 1st pump out occurs after the 11th freeze cycle and every 10th cycle thereafter. However, where water quality is bad and the icemaker needs a pump out more often, the pump-out frequency can be adjusted as shown in the table below.

Dip Switch Setting		Frequency
No. 5	No. 6	
OFF	OFF	every cycle
ON	OFF	every 2 cycles
OFF	ON	every 5 cycles
ON	ON	every 10 cycles

**e) S4 Dip Switch 7 & 8**

Factory set for optimum performance. Do not adjust.

**f) Freeze Timer (S4 dip switch 9 & 10)**

**CAUTION**  
Adjust to proper specification, or the unit may not operate correctly.

The freeze timer setting determines the maximum allowed freeze time to prevent possible freeze-up issues. Upon termination of freeze timer, the control board initiates the harvest cycle. After 2 consecutive timer terminations, the control board shuts the machine down. In this case, see "IV.B.3. Low Ice Production" for possible solutions. The freeze timer is factory adjusted and no adjustment is required.

Dip Switch Setting		Time (minutes)
No. 9	No. 10	
OFF	OFF	60
OFF	ON	50
ON	OFF	70
ON	ON	60

**g) Float Switch Control (S5 dip switch 1 through 5)**

Do not adjust. These must be left in the factory default position or the unit will not operate properly.

**4. Control Board Check Procedure**

Before replacing a control board that does not show a visible defect and that you suspect is bad, always conduct the following check procedure. This procedure will help you verify your diagnosis.

- 1) Check the S4 dip switch settings to assure that #3, 4, 7, 8, 9, & 10 are in the factory default position. Switches 1, 2, 5, & 6 are cleaning adjustments and the settings are flexible. Check the S5 dip switch settings to assure that they are in the factory default positions. For factory defaults, see "II.C.3.a) Default Dip Switch Settings."
- 2) Move the control switch to the "ICE" position. The red "POWER OK" LED should come on. If the red LED is on, the control voltage is good and you can proceed to step 3. If the red LED is off, check the control transformer secondary circuit. The transformer secondary circuit includes the cleaning valve interlock switch. Make sure the interlock switch is closed; otherwise, no control voltage is supplied to the K2 connector. Transformer output is 10.5V at 115V primary input. If the secondary circuit has proper voltage and the red LED is off, the control board is bad and should be replaced.

If the secondary circuit does not have proper voltage, check the control transformer primary circuit. Check for 115V at the 10-pin connector. Check the brown wire at pin #10 to a white neutral wire for 115V. (Always choose a white neutral wire to establish a good neutral connection when checking voltages.) For additional checks, see "IV.B.1.[1] The icemaker will not start."

3) The "OUTPUT TEST" button provides a relay sequence test. Make sure the control switch is in the "ICE" position, then press the "OUTPUT TEST" button. The correct lighting sequence should be 1, 4, 3, 2. Some components (e.g., the compressor) will cycle during the test. Note that the order of the relays from the outer edge of the board is 1, 4, 3, 2. After checking the sequence, the unit automatically starts at the 1 minute fill cycle. If the LEDs light in a different sequence, the control board is bad and should be replaced.

**5. Control Board Replacement**

The application switch located between relay X3 & X4 must be set to match the original board application. Place this switch in the "ALP" position. The dip switches should be adjusted to the factory default settings. See "II.C.3.a) Default Dip Switch Settings." S4 dip switch #8 must remain off.

**D. Harvest Control – Thermistor**

A thermistor (semiconductor) is used for a harvest control sensor. The resistance varies depending on the suction line temperatures. The thermistor detects the temperature of the evaporator outlet to start the harvest timer. No adjustment is required. If necessary, check for resistance between thermistor leads, and visually check the thermistor mounting, located on the suction line next to the evaporator outlet.

Temperature (°F)	Temperature (°C)	Resistance (kΩ)
0	-18	14.401
10	-12	10.613
32	0	6.000
50	10	3.871
70	21	2.474
90	32	1.633

Check a thermistor for resistance by using the following procedure:

- 1) Disconnect the connector K3 on the board.
- 2) Remove the thermistor. See "V.I. Removal and Replacement of Thermistor."
- 3) Immerse the thermistor sensor portion in a glass containing ice and water for 2 or 3 minutes.
- 4) Check for a resistance between thermistor leads. Normal reading is within 3.5 to 7 kΩ. Replace the thermistor if it exceeds the normal reading.

## E. Bin Control

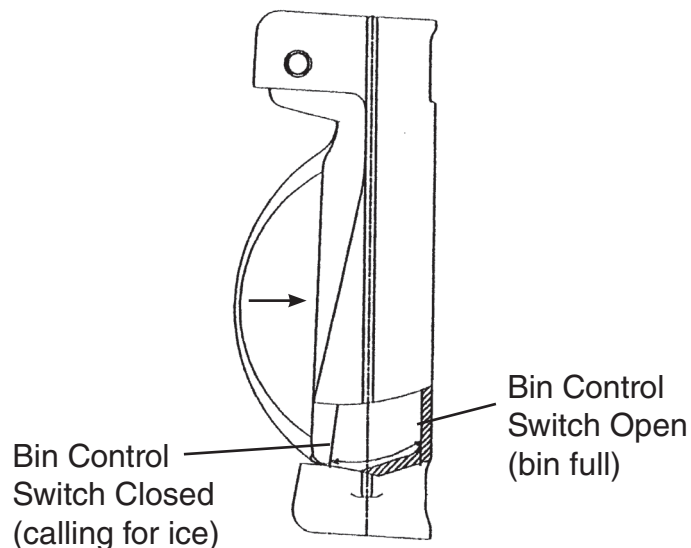
This machine uses a lever-actuated proximity switch (mechanical bin control) to control the ice level in the storage bin. No adjustment is required.

### 1. Explanation of Operation

The bin control is connected to the red K4 connector on the control board. When the bin control is calling for ice (proximity switch closed; green "BC CLOSED" LED on), the control board continues icemaking operations. When the bin control is activated in the bin full position (proximity switch open; yellow "BC OPEN" LED on), the control board shuts down the unit. However, to prevent incomplete batches of ice from forming on the evaporator, the control board will only shut down the machine within the first 5 minutes of the freeze cycle. If ice pushes the lever in after the first 5 minutes of the freeze cycle, the control board will allow the machine to complete the freeze cycle and the following harvest cycle before shutting down the machine.

### 2. Bin Control Check Procedure

- 1) Clear any ice away from the bin control.
- 2) Move the control switch to the "ICE" position.
- 3) Check that the green "BC CLOSED" LED on the control board is on.
- 4) Activate the bin control actuator (press the actuator in). Check that the yellow "BC OPEN" LED on the control board is on.
- 5) Disconnect the red K4 bin control connector from the control board.
- 6) Check for continuity across the bin control leads. When calling for ice, the bin control proximity switch should be closed. If open, replace the bin control. Activate the bin control actuator (press the actuator in), check for continuity across the bin control leads. The bin control proximity switch should be open. If closed, replace the bin control.
- 7) Reconnect the red K4 connector. Allow the machine to cycle into the freeze cycle. In the first 5 minutes of the freeze cycle, activate the bin control actuator (press the actuator in). The yellow "BC OPEN" LED should come on and the machine should turn off. If not, replace the control board.

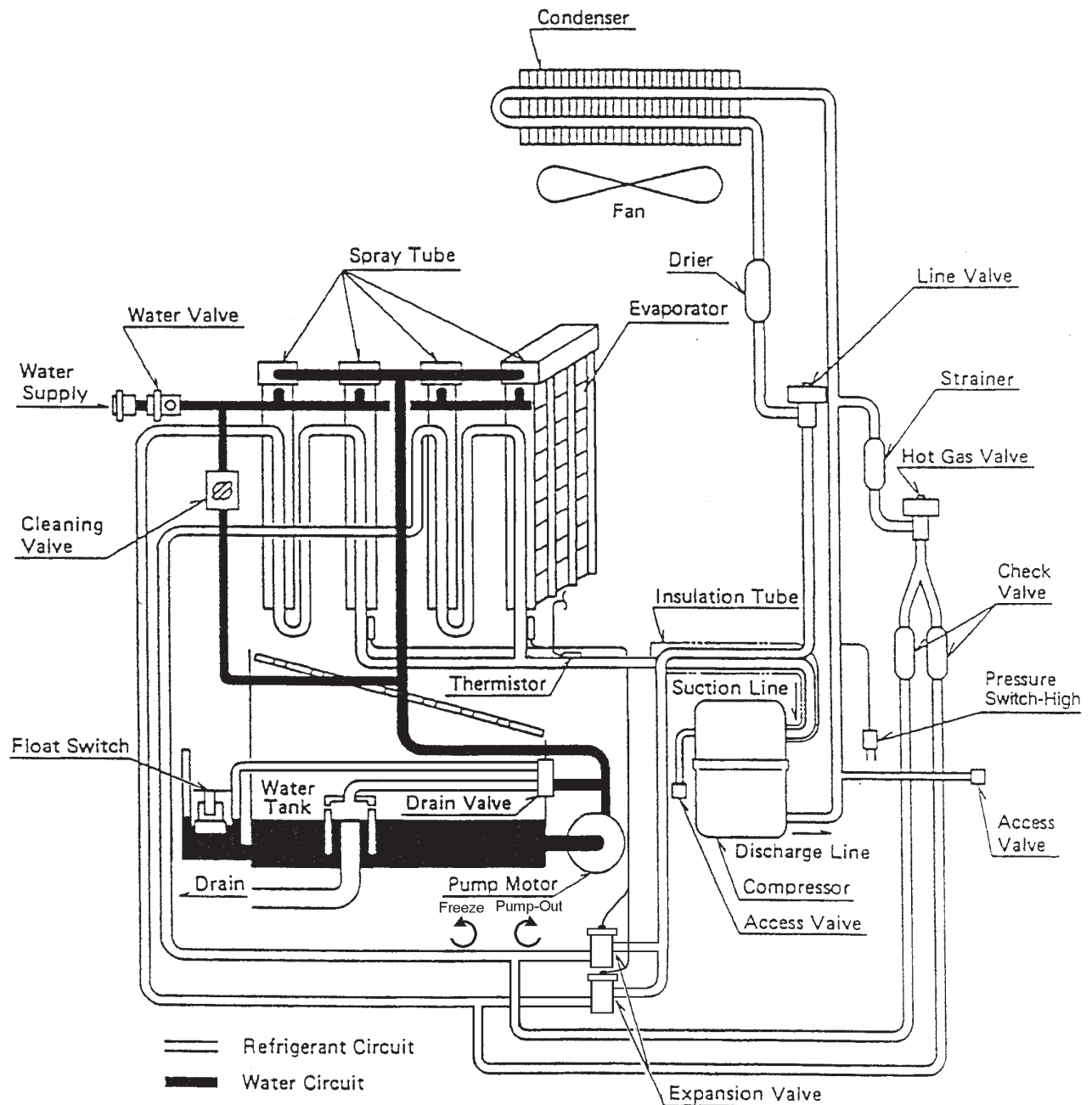




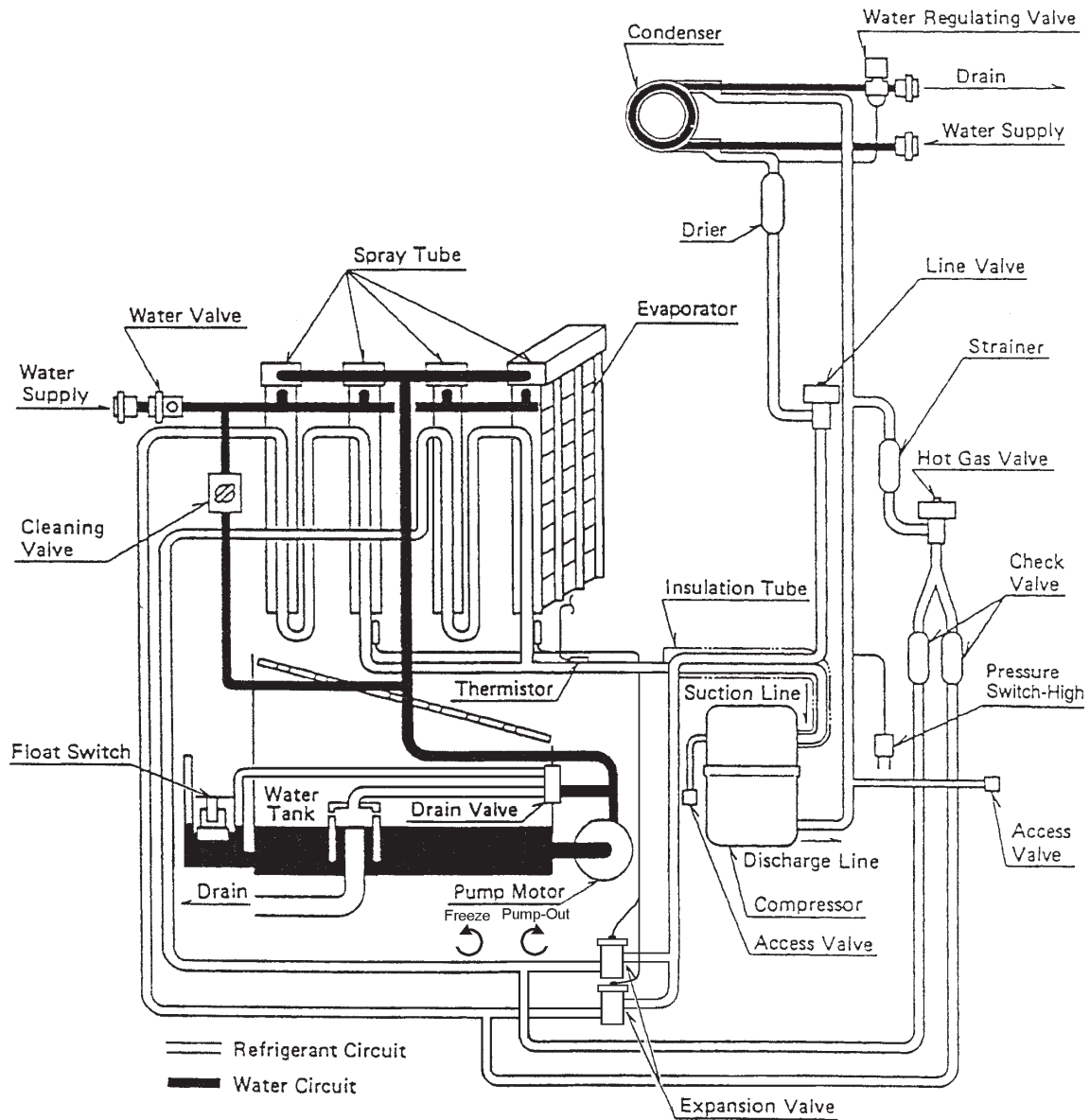
### III. Technical Information

#### A. Water Circuit and Refrigeration Circuit

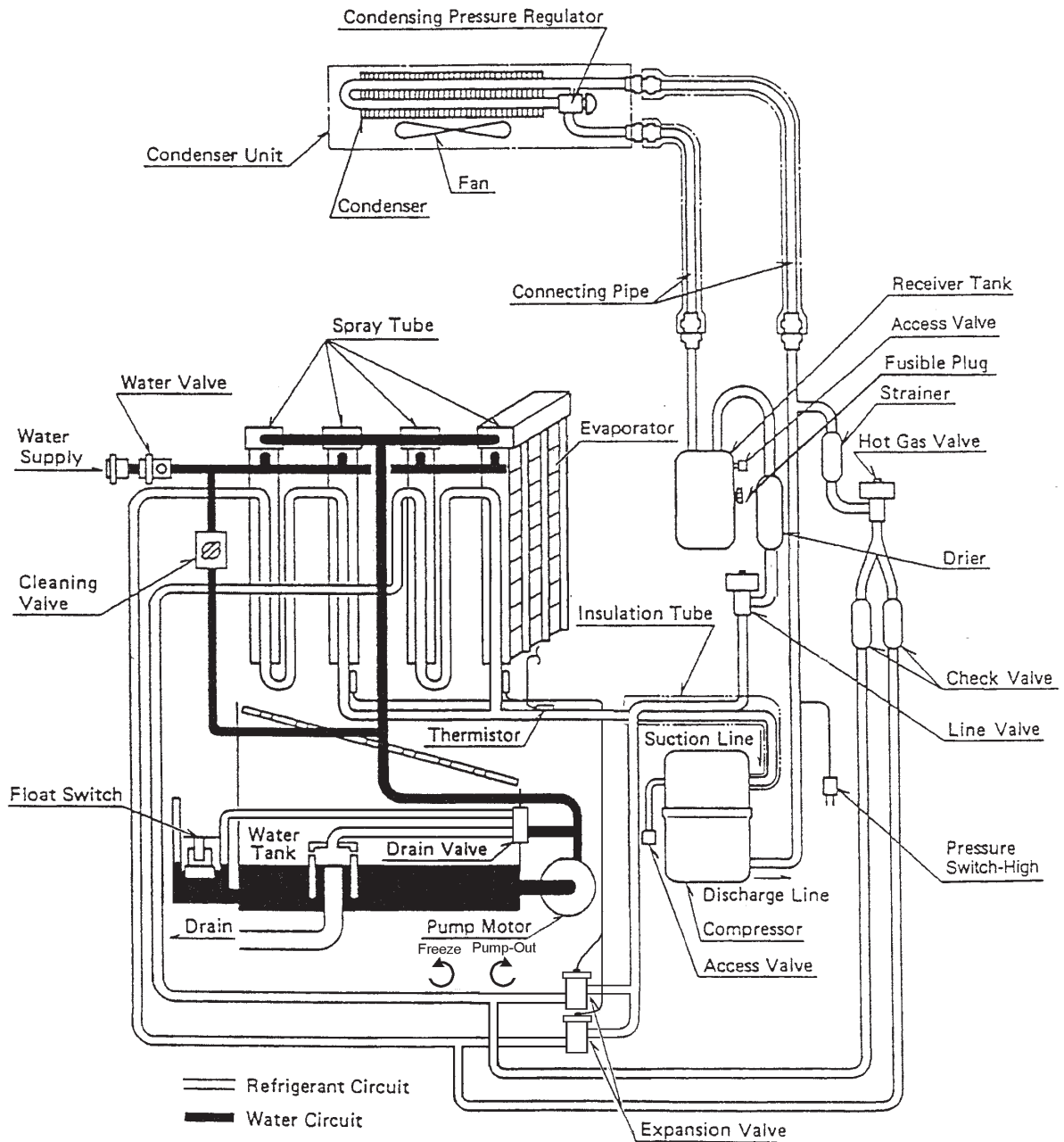
##### 1. KMD-901MAH (air-cooled)



## 2. KMD-901MWH (water-cooled)

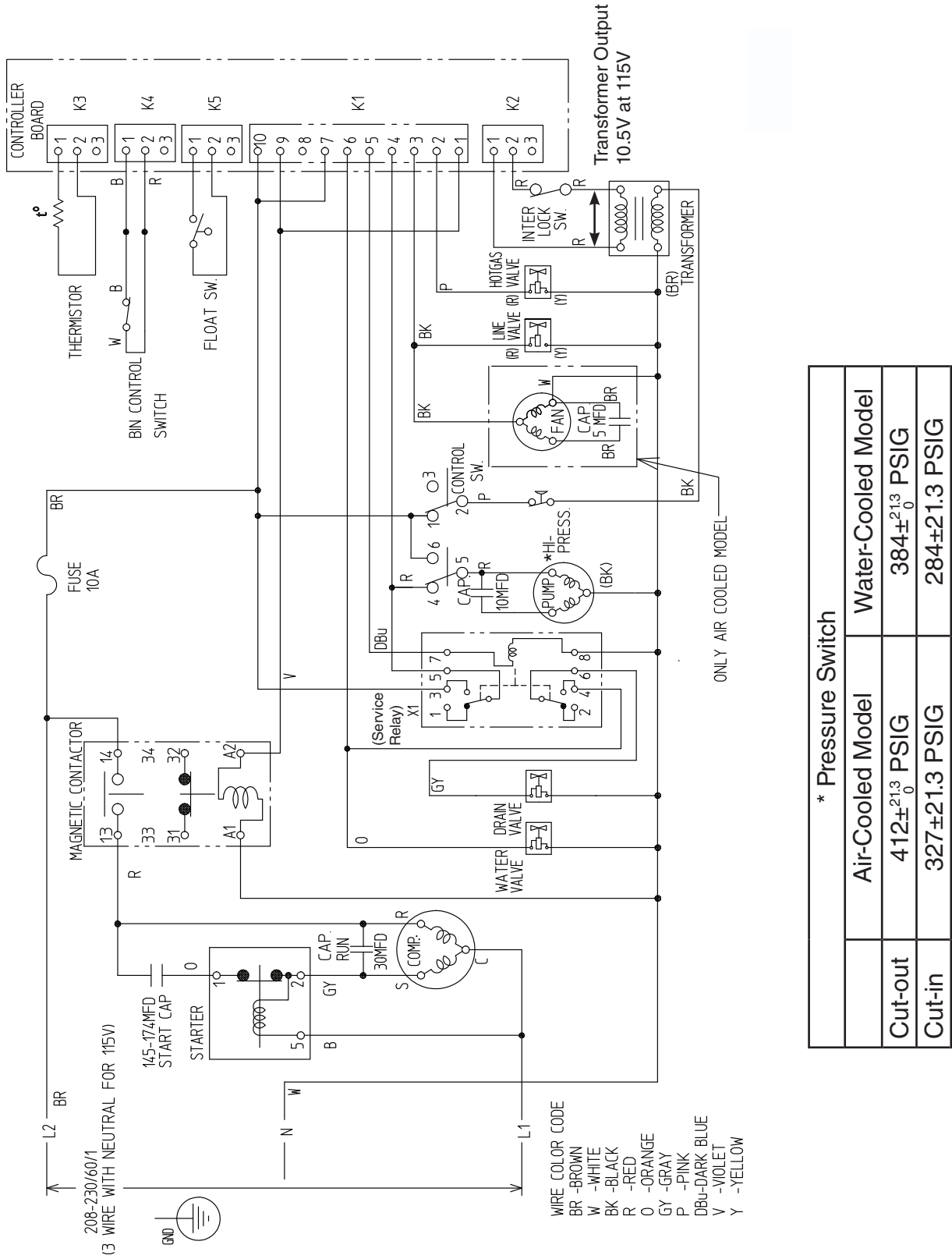


### 3. KMD-901MRH (remote air-cooled)

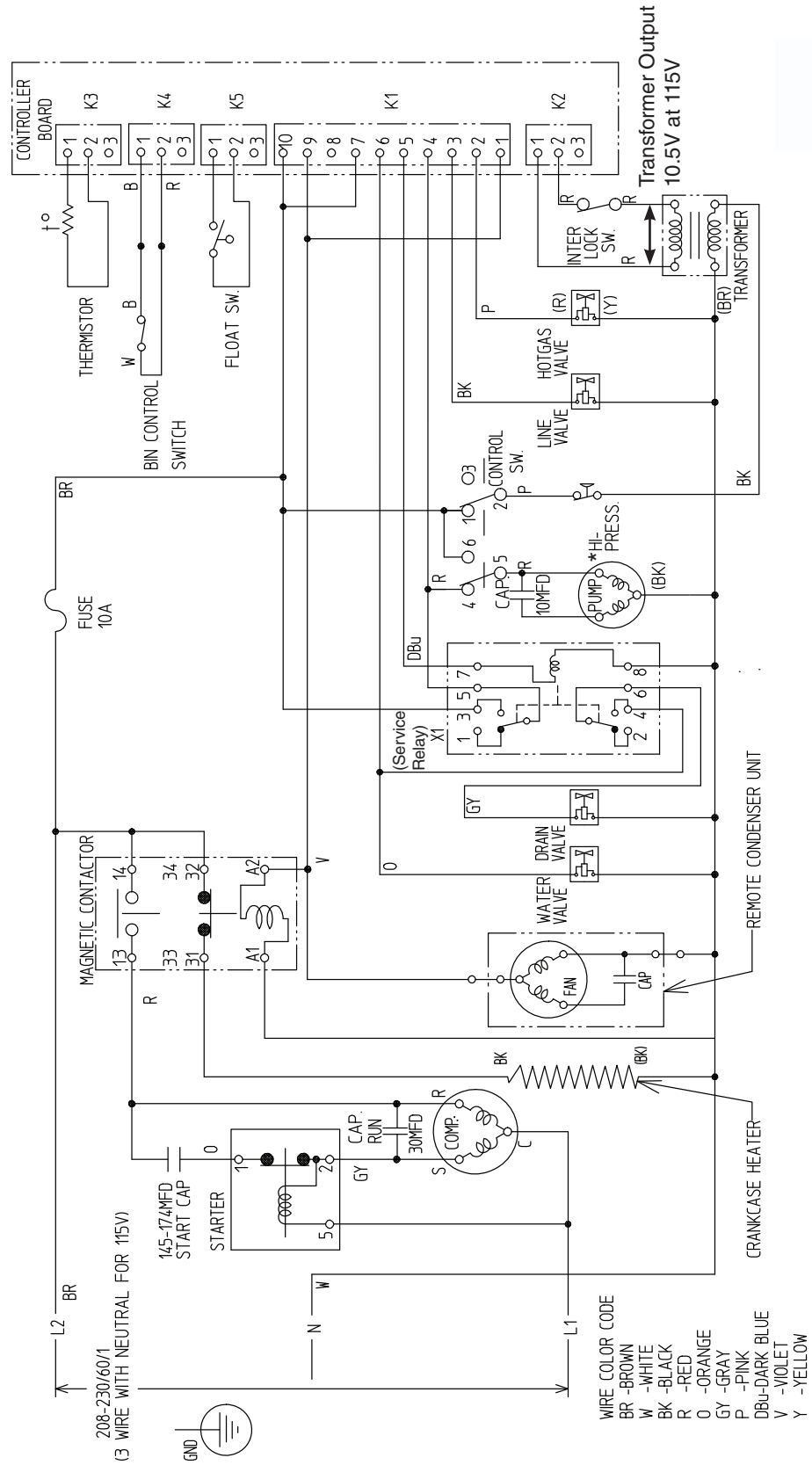


## B. Wiring Diagrams

### 1. KMD-901MAH and KMD-901MWH



## 2. KMD-901MRH



## C. Performance Data

### 1. KMD-901MAH (air-cooled)

APPROXIMATE ICE PRODUCTION PER 24 HR.	AMBIENT TEMP. (°F/°C)	WATER TEMP. (°F/°C)					
		50/10		70/21		90/32	
	70/21	<b>890</b>	<u>404</u>	864	<u>392</u>	803	<u>364</u>
	80/27	870	<u>395</u>	830	<u>376</u>	754	<u>342</u>
	90/32	864	<u>392</u>	<b>801</b>	<u>363</u>	730	<u>331</u>
lbs./day <u>kg./day</u>	100/38	843	<u>382</u>	784	<u>356</u>	665	<u>302</u>
APPROXIMATE ELECTRIC CONSUMPTION	70/21	<b>1810</b>		1848		1876	
	80/27	1839		1898		1913	
	90/32	1848		<b>1940</b>		1961	
	watts	100/38	1845		1945		1980
APPROXIMATE WATER CONSUMPTION PER 24 HR.	70/21	<b>372</b>	<u>1.41</u>	310	<u>1.17</u>	280	<u>1.06</u>
	80/27	325	<u>1.23</u>	228	<u>0.86</u>	230	<u>0.87</u>
	90/32	310	<u>1.17</u>	<b>160</b>	<u>0.61</u>	148	<u>0.56</u>
	gal./day <u>m<sup>3</sup>/day</u>	100/38	240	<u>0.91</u>	157	<u>0.60</u>	136
FREEZING CYCLE TIME	70/21	<b>16</b>		17		18	
	80/27	16		18		20	
	90/32	17		<b>19</b>		21	
	min.	100/38	17		19		23
HARVEST CYCLE TIME	70/21	<b>3.3</b>		3.0		2.8	
	80/27	3.0		2.4		2.5	
	90/32	3.0		<b>2.0</b>		2.0	
	min.	100/38	2.5		2.0		2.0
HEAD PRESSURE	70/21	<b>231</b>	<u>16.2</u>	251	<u>17.6</u>	281	<u>19.8</u>
	80/27	246	<u>17.3</u>	276	<u>19.4</u>	309	<u>21.7</u>
	90/32	251	<u>17.6</u>	<b>298</b>	<u>21.0</u>	330	<u>23.2</u>
	PSIG <u>kg/cm<sup>2</sup>G</u>	100/38	258	<u>18.1</u>	306	<u>21.5</u>	360
SUCTION PRESSURE	70/21	<b>36</b>	<u>2.5</u>	39	<u>2.7</u>	45	<u>3.2</u>
	80/27	38	<u>2.7</u>	43	<u>3.0</u>	51	<u>3.6</u>
	90/32	39	<u>2.7</u>	<b>46</b>	<u>3.2</u>	53	<u>3.7</u>
	PSIG <u>kg/cm<sup>2</sup>G</u>	100/38	41	<u>2.9</u>	48	<u>3.4</u>	60

TOTAL HEAT OF REJECTION FROM CONDENSER

16,300 BTU/h [AT 90°F (32°C) / WT 70°F (21°C)]

Note:

1. Pressure data is recorded at 5 minutes into freezing cycle. The data not in **bold** should be used for reference only.
2. We reserve the right to make changes in specifications and design without prior notice.

## 2. KMD-901MWH (water-cooled)

APPROXIMATE ICE PRODUCTION PER 24 HR.	AMBIENT TEMP. (°F/°C)	WATER TEMP. (°F/°C)					
		50/10		70/21		90/32	
	70/21	<b>876</b>	<u>397</u>	874	<u>397</u>	831	<u>377</u>
	80/27	875	<u>397</u>	872	<u>396</u>	805	<u>365</u>
	90/32	874	<u>397</u>	<b>870</b>	<u>395</u>	812	<u>368</u>
lbs./day <u>kg./day</u>	100/38	852	<u>386</u>	856	<u>388</u>	759	<u>344</u>
APPROXIMATE ELECTRIC CONSUMPTION	70/21	<b>1480</b>		1492		1507	
	80/27	1489		1507		1522	
	90/32	1492		<b>1520</b>		1536	
watts	100/38	1495		1524		1550	
APPROXIMATE WATER CONSUMPTION PER 24 HR.	70/21	<b>944</b>	<u>3.57</u>	1049	<u>3.97</u>	1558	<u>5.90</u>
	80/27	1024	<u>3.88</u>	1186	<u>4.49</u>	1899	<u>7.19</u>
	90/32	1049	<u>3.97</u>	<b>1301</b>	<u>4.92</u>	1938	<u>7.34</u>
gal./day <u>m<sup>3</sup>/day</u>	100/38	1362	<u>5.16</u>	1450	<u>5.49</u>	2524	<u>9.56</u>
FREEZING CYCLE TIME	70/21	<b>17</b>		17		18	
	80/27	17		18		19	
	90/32	17		<b>18</b>		20	
min.	100/38	18		19		21	
HARVEST CYCLE TIME	70/21	<b>3.3</b>		3.0		2.8	
	80/27	3.1		2.7		2.5	
	90/32	3.0		<b>2.4</b>		2.2	
min.	100/38	2.7		2.3		2.0	
HEAD PRESSURE	70/21	<b>232</b>	<u>16.3</u>	233	<u>16.4</u>	241	<u>16.9</u>
	80/27	233	<u>16.4</u>	234	<u>16.5</u>	245	<u>17.2</u>
	90/32	233	<u>16.4</u>	<b>235</b>	<u>16.5</u>	245	<u>17.2</u>
PSIG <u>kg/cm<sup>2</sup>G</u>	100/38	237	<u>16.6</u>	237	<u>16.7</u>	254	<u>17.9</u>
SUCTION PRESSURE	70/21	<b>38</b>	<u>2.7</u>	39	<u>2.7</u>	41	<u>2.9</u>
	80/27	38	<u>2.7</u>	39	<u>2.8</u>	43	<u>3.1</u>
	90/32	39	<u>2.7</u>	<b>40</b>	<u>2.8</u>	44	<u>3.1</u>
PSIG <u>kg/cm<sup>2</sup>G</u>	100/38	40	<u>2.8</u>	41	<u>2.9</u>	47	<u>3.3</u>

TOTAL HEAT OF REJECTION FROM CONDENSER	12,400 BTU/h [AT 90°F (32°C) / WT 70°F (21°C)]
TOTAL HEAT OF REJECTION FROM COMPRESSOR	1,900 BTU/h [AT 90°F (32°C) / WT 70°F (21°C)]
WATER FLOW FOR CONDENSER	99 gal./h [AT 100°F (38°C) / WT 90°F (32°C)]
PRESSURE DROP OF COOLING WATER LINE	less than 10 PSIG

### Note:

1. Pressure data is recorded at 5 minutes into freezing cycle. The data not in **bold** should be used for reference only.
2. We reserve the right to make changes in specifications and design without prior notice.

### 3. KMD-901MRH (remote air-cooled)

APPROXIMATE ICE PRODUCTION PER 24 HR.	AMBIENT TEMP. (°F/°C)	WATER TEMP. (°F/°C)					
		50/10		70/21		90/32	
	70/21	<b>848</b>	<u>385</u>	827	<u>375</u>	768	<u>348</u>
	80/27	832	<u>377</u>	798	<u>362</u>	723	<u>328</u>
	90/32	827	<u>375</u>	<b>775</b>	<u>352</u>	705	<u>320</u>
lbs./day <u>kg./day</u>	100/38	805	<u>365</u>	759	<u>344</u>	641	<u>291</u>
APPROXIMATE ELECTRIC CONSUMPTION	70/21	<b>1600</b>		1632		1670	
	80/27	1625		1675		1709	
	90/32	1632		<b>1710</b>		1746	
watts	100/38	1638		1719		1780	
APPROXIMATE WATER CONSUMPTION PER 24 HR.	70/21	<b>383</b>	<u>1.45</u>	316	<u>1.20</u>	283	<u>1.07</u>
	80/27	332	<u>1.26</u>	228	<u>0.86</u>	227	<u>0.86</u>
	90/32	316	<u>1.20</u>	<b>155</b>	<u>0.59</u>	139	<u>0.53</u>
gal./day <u>m<sup>3</sup>/day</u>	100/38	240	<u>0.91</u>	151	<u>0.57</u>	124	<u>0.47</u>
FREEZING CYCLE TIME	70/21	<b>17</b>		18		20	
	80/27	18		20		22	
	90/32	18		<b>21</b>		23	
min.	100/38	19		21		25	
HARVEST CYCLE TIME	70/21	<b>3.5</b>		3.1		2.9	
	80/27	3.1		2.5		2.6	
	90/32	3.1		<b>2.0</b>		2.0	
min.	100/38	2.6		2.0		2.0	
HEAD PRESSURE	70/21	<b>210</b>	<u>14.8</u>	227	<u>16.0</u>	248	<u>17.5</u>
	80/27	223	<u>15.7</u>	250	<u>17.6</u>	270	<u>19.0</u>
	90/32	227	<u>16.0</u>	<b>269</b>	<u>18.9</u>	290	<u>20.4</u>
PSIG <u>kg/cm<sup>2</sup>G</u>	100/38	231	<u>16.2</u>	274	<u>19.3</u>	309	<u>21.7</u>
SUCTION PRESSURE	70/21	<b>36</b>	<u>2.5</u>	38	<u>2.7</u>	43	<u>3.1</u>
	80/27	38	<u>2.7</u>	41	<u>2.9</u>	47	<u>3.3</u>
	90/32	38	<u>2.7</u>	<b>44</b>	<u>3.1</u>	50	<u>3.5</u>
PSIG <u>kg/cm<sup>2</sup>G</u>	100/38	40	<u>2.8</u>	45	<u>3.2</u>	55	<u>3.9</u>

TOTAL HEAT OF REJECTION FROM CONDENSER	12,600 BTU/h [AT 90°F (32°C) / WT 70°F (21°C)]
TOTAL HEAT OF REJECTION FROM COMPRESSOR	2,000 BTU/h [AT 90°F (32°C) / WT 70°F (21°C)]
CONDENSER VOLUME	121 CU. IN (URC-9F)

Note:

1. Pressure data is recorded at 5 minutes into freezing cycle. The data not in **bold** should be used for reference only.
2. We reserve the right to make changes in specifications and design without prior notice.



---

## IV. Service Diagnosis

### A. 10-Minute Diagnostic Procedure

The 10 minute check out procedure is basically a sequence check which can be used at unit start-up or for system diagnosis. Using this check out procedure will allow you to diagnose electrical system and component failures in approximately 10 minutes under normal operating conditions of 70°F (21°C) or warmer air and 50°F (10°C) or warmer water temperatures. Before conducting a 10 minute checkout, check for correct installation, proper voltage per unit nameplate, and adequate water supply. Check the S4 dip switch settings to assure that #3, 4, 7, 8, 9, & 10 are in the factory default position. Switches 1, 2, 5, & 6 are cleaning adjustments and the settings are flexible. Check the S5 dip switch settings to assure that they are in the factory default positions. For factory defaults, see "II.C.3.a) Default Dip Switch Settings." As you go through the procedure, check to assure the components energize and de-energize correctly. If not, those components and controls are suspect. Check for voltage at the 10-pin connector.

- 1) Turn power off and access the control box.
- 2) Turn power on and place the control switch in the "ICE" position. A 5 second delay occurs. The red "POWER OK" LED and the green "BC CLOSED" LED on the control board come on.
- 3) **One Minute Fill Cycle** – LED 4 is on. The inlet water valve is energized. After 1 minute, the control board checks the float switch. If the float switch is closed, the unit cycles to harvest. If closed, continue to step 4. If the float switch is open, the unit repeats the 1 minute fill cycle until water enters and the float switch closes (low water safety protection during initial start up and at the end of each harvest). **Diagnosis:** If the inlet water valve does not open, check for no supply voltage at water valve terminals, bad coil, or plugged screen or external filter (no water flow). If unit fails to start harvest, check for open float switch or bad 1 minute timer in control board.
- 4) **Initial Harvest Cycle** – LEDs 1, 4, and 2 are on. The inlet water valve remains energized, the contactor coil energizes to start the compressor (and fan motor on a remote condenser unit), and the hot gas valve energizes. The inlet water valve is open during harvest for a maximum of 6 minutes or the length of harvest minus 50 seconds, whichever is shorter. The pump motor energizes and runs for the last 50 seconds of harvest. The evaporator warms and the thermistor senses 48°F (9°C). The control board then receives the thermistor's 3.9 kΩ signal and turns operation of harvest over to the harvest timer. The timer has settings of 60, 90, 120, and 180 seconds (S4 dip switch 1 & 2). The last 50 seconds of the harvest timer countdown, the inlet water valve de-energizes and the water pump energizes, (LED 4 goes off and LED 3 comes on). When the harvest timer countdown is complete, the freeze cycle starts. **Diagnosis:** Check if compressor is running, hot gas valve is open, inlet water valve still open. Average harvest cycle at factory setting is 2 to 3 minutes. How long does initial harvest last? 1.5 minutes after initial harvest begins, touch the compressor discharge line. Is it hot? If not, check refrigerant pressures and compressor operation. If it is hot, touch the inlet line to the evaporator. Is it hot? If it is hot and the freeze cycle is not starting, check the harvest timer adjustment, the thermistor for open circuit, the discharge line temperature, compressor efficiency, and if the hot gas valve is fully open.

5) **Freeze Cycle** – LED 1 is on. Compressor (and fan motor on a remote air-cooled unit) remains energized, pump motor, (line valve if applicable), and fan motor (self-contained air-cooled unit) energize. The inlet water valve and hot gas valve de-energize. The unit is held in freeze by a 5 minute short cycle protection timer. After the 5 minute short cycle protection timer terminates, the freeze cycle operation is transferred to the float switch for freeze termination. During the first 5 minutes of freeze, confirm that the evaporator temperature drops. After 5 minutes in freeze, remove the black float switch lead from the K5 connector. The unit should switch out of the freeze cycle.

**Diagnosis:** If the evaporator is not cold, check to see if the hot gas valve is still open or if the expansion valve is not opening properly, if the water valve is continuing to fill the reservoir, if there are improper unit pressures, an inoperative compressor, or an inoperative headmaster (C.P.R.) (remote condenser unit only). If the unit remains in freeze with the float switch removed, replace the board.

Note: Normal freeze cycle will last 20 to 40 minutes depending on model and conditions. Cycle times and pressures should follow performance data provided in this manual.

6) **Pump-Out Cycle** (10 second pump out) – LEDs 1, 4, 3, 2 are on. With S4 dip switch 5 and 6 in the factory default position, the 1st pump out occurs after the 11th freeze cycle and every 10th cycle thereafter. The pump out cycle can be adjusted to occur every cycle, or every 2, 5, or 10 cycles (S4 dip switch 5 & 6).

The compressor remains energized, the hot gas valve energizes, the fan motor de-energizes (self-contained air-cooled unit only), the pump motor stops for 2 seconds. The service relay energizes, opening the drain valve and water valve and restarting the pump motor. Water is taken from the sump and pumped through the drain valve and down the drain for 10 seconds. This removes contaminants from the water reservoir.

**Diagnosis:** If the pump motor does not run, check the circuit, service relay, and capacitor. Check for proper voltage. If water does not pump out, make sure S4 dip switch 3 & 4 are in the factory default positions, check and clean the tubing at the drain valve, then check and clean the valve assembly.

7) **Normal Harvest Cycle** – same as the initial harvest cycle – Return to step 4.

Note: Unit continues to cycle until bin control is satisfied or power is switched off. The unit always restarts at the 1 minute fill cycle.

## B. Diagnostic Charts

### 1. No Ice Production

Problem	Possible Cause	Remedy	
[1] The icemaker will not start.	a) Power Supply	1. Off, blown fuse, or tripped breaker.	1. Turn on, replace, or reset.
		2. Loose connection.	2. Tighten.
		3. Bad contacts.	3. Check for continuity and replace.
		4. Not within specifications.	4. Refer to nameplate and correct.
	b) Water Supply	1. Water supply off or pressure too low.	1. Check and get recommended pressure.
	c) Fuse (Control Box)	1. Blown.	1. Check for short circuit and replace.

<b>Problem</b>	<b>Possible Cause</b>		<b>Remedy</b>
[1] The icemaker will not start. (continued)	d) Control Switch	1. "OFF" or "WASH" position.	1. Move to "ICE" position.
		2. Bad contacts.	2. Check for continuity and replace.
	e) Bin Control	1. Tripped with bin filled with ice.	1. Remove ice.
		2. Defective.	2. See "II.E.2. Bin Control Check Procedure."
	f) High Pressure Control	1. Bad contacts.	1. Check for continuity and replace.
		2. Dirty air filter or condenser.	2. Clean.
		3. Ambient or condenser water temperature too warm.	3. Reduce temperature.
		4. Refrigerant overcharged.	4. Recharge.
		5. Fan not operating. (except water-cooled model)	5. See chart 1.[7].
		6. Refrigerant line or components plugged.	6. Clean and replace drier.
		7. Condenser water pressure too low or off. (water-cooled model only)	7. Check and get recommended pressure.
	g) Transformer	1. Coil winding opened or shorted.	1. Replace.
	h) Wiring to Control Board	1. Loose connections or open.	1. Check for continuity and replace.
	i) Interlock Switch (Cleaning Valve)	1. Open position.	1. Move to closed position.
		2. Bad contacts.	2. Check for continuity and replace.
	j) Thermistor	1. Leads shorted or opened and high temperature or harvest backup timer safety operates. (1 beep or 2 beep alarm)	1. See "II.D. Harvest Control – Thermistor."
k) Hot Gas Valve	1. Continues to open in freeze cycle and freeze timer safety operates. (3 beep alarm)	1. Check for hot gas valve stuck open and replace.	
l) Inlet Water Valve	1. Mesh filter or orifice gets clogged and water supply cycle does not finish.	1. Clean.	

<b>Problem</b>	<b>Possible Cause</b>		<b>Remedy</b>
[1] The icemaker will not start. (continued)	l) Inlet Water Valve (continued)	2. Coil winding opened.	2. Replace.
		3. Wiring to water valve.	3. Check for loose connection or open, and replace.
	m) Control Board	1. Defective or in alarm.	1. See "II.C.4. Control Board Check Procedure."
[2] Water continues to be supplied, and the icemaker will not start.	a) Float Switch	1. Connector disconnected.	1. Reconnect.
		2. Defective switch.	2. Check and replace.
		3. Float does not move freely.	3. Clean or replace.
	b) Control Board	1. Defective.	1. See "II.C.4. Control Board Check Procedure."
[3] Compressor will not start or stops operating.	a) Magnetic Contactor	1. Bad contacts.	1. Check for continuity and replace.
		2. Coil winding opened.	2. Replace.
	b) Start Capacitor or Run Capacitor	1. Defective.	1. Replace.
	c) Internal Overload Protector Open (check 1 through 3 to the right and d through f below)	1. Loose terminal.	1. Tighten or replace.
		2. Voltage.	2. Check and correct.
		3. Dirty condenser.	3. Clean.
	d) Starter	1. Bad contacts.	1. Check and replace.
		2. Coil winding opened.	2. Replace.
	e) Compressor	1. Power supply not within specifications.	1. Refer to nameplate and correct.
		2. Wiring to compressor.	2. Check for loose connection or open, and replace.
		3. Defective.	3. Replace.
		4. Protector tripped.	4. Reduce temperature.
	f) Control Board	1. No power to contactor.	1. See "II.C.4. Control Board Check Procedure."
[4] Water continues to be supplied in freeze cycle.	a) Water Pressure	1. Too high.	1. Reduce.
	b) Inlet Water Valve	1. Diaphragm does not close.	1. Check for water leaks with icemaker off.
	c) Control Board	1. Defective.	1. See "II.C.4. Control Board Check Procedure."
[5] Water pump will not start.	a) Pump Motor	1. Motor winding opened.	1. Replace.
		2. Bearing worn out.	2. Replace.
		3. Wiring to pump motor.	3. Check for loose connection or open, and replace.
		4. Defective capacitor.	4. Replace.
		5. Defective or bound impeller.	5. Replace and clean.

<b>Problem</b>	<b>Possible Cause</b>		<b>Remedy</b>
[5] Water pump will not start. (continued)	a) Pump Motor (continued)	6. Mechanical seal worn out.	6. Check and replace.
	b) Control Board	1. Defective.	1. See "II.C.4. Control Board Check Procedure."
	c) Control Switch	1. Bad contacts.	1. Replace.
[6] Freeze cycle time is too short.	a) Drain Valve	1. Leaking by.	1. Clean or replace.
	b) Float Switch	1. Dirty or erratic operation.	1. Clean or replace.
	c) Control Board	1. Defective.	1. See "II.C.4. Control Board Check Procedure."
[7] Fan motor will not start, or is not operating. (except water-cooled model)	a) Fan Motor	1. Motor winding opened.	1. Replace.
		2. Bearing worn out.	2. Replace.
		3. Wiring to fan motor.	3. Check for loose connection or open, and replace.
		4. Defective capacitor.	4. Replace.
		5. Fan blade bound.	5. Check and replace.
	b) Control Board	1. Defective.	1. See "II.C.4. Control Board Check Procedure."
[8] All components run, but no ice is produced.	a) Refrigerant	1. Low charge.	1. Check for leaks and recharge.
		2. Air or moisture trapped.	2. Replace drier and recharge.
	b) Compressor	1. Defective valve.	1. Replace.
	c) Hot Gas Valve	1. Continues to open in freeze cycle.	1. Check and replace.
	d) Line Valve (if applicable)	1. Continues to close in freeze cycle.	1. Check and replace.
	e) Inlet Water Valve	1. Water valve is wide open during freeze.	1. Check for water leaks with icemaker off.
	f) Expansion Valve	1. Operating erratically.	1. Check and replace.
	g) Headmaster (C.P.R.) (remote air-cooled model only)	1. Not operating properly and liquid line temperature too warm.	1. Replace headmaster.
	h) Water Supply Line (water-cooled model only)	1. Condenser water pressure too low or off and high pressure control opens and closes frequently.	1. Check and get recommended pressure.
	i) Water Regulating Valve (water-cooled model only)	1. Set too high.	1. Adjust or replace. See "V.G. Adjustment of Water Regulating Valve."

## 2. Evaporator is Frozen Up

Problem	Possible Cause	Remedy	
[1] Freeze cycle time is too long.	a) Float Switch	1. Leads short-circuit or defective switch.	1. Check and replace.
		2. Float does not move freely.	2. Clean or replace.
	b) Inlet Water Valve	1. Diaphragm does not close.	1. Check for water leaks with icemaker off.
	c) Control Board	1. Defective.	1. See "II.C.4. Control Board Check Procedure."
	d) Water Pump	1. RPM too slow.	1. Check and replace.
	e) Spray Tubes	1. Clogged.	1. Unclog.
	f) Evaporator	1. Scaled up.	1. Clean.
	g) Expansion Valve	1. Operating erratically.	1. Check and replace.
[2] All ice formed on evaporator does not fall into bin in harvest cycle.	a) Evaporator	1. Scaled up.	1. Clean.
	b) Water Supply Line	1. Water pressure too low.	1. Check and get recommended pressure.
	c) Water Filter System	1. Dirty/Restricted.	1. Replace filter.
	d) Inlet Water Valve	1. Dirty mesh filter or orifice.	1. Clean.
		2. Diaphragm does not close.	2. Check for water leaks with icemaker off.
	e) Ambient and/or water temperature.	1. Too cool.	1. Increase temperature.
	f) Line Valve (if applicable)	1. Continues to open in harvest cycle.	1. Check operation in harvest cycle and replace.
	g) Thermistor	1. Out of position or loose attachment.	1. See "V.I. Removal and Replacement of Thermistor."
	h) Control Board	1. Harvest timer is set too short.	1. Adjust longer, referring to "II.C.3. Controls and Adjustments, b) Harvest Timer."
		2. Defective.	2. See "II.C.4. Control Board Check Procedure."
i) Water Regulating Valve (water-cooled model only)	1. Leaking by in harvest.	1. Check and replace.	
[3] Other.	a) Spray Tubes	1. Clogged.	1. Clean.
		2. Out of position.	2. Place in position.
	b) Water System	1. Dirty.	1. Clean.
		2. Water supply line too small; requires 3/8" OD line dedicated per machine.	2. Increase water line size.
		3. Water filter flow rate too small.	3. Replace with filter that has larger flow rate.

Problem	Possible Cause		Remedy
[3] Other. (continued)	c) Refrigerant	1. Low charge.	1. Check for leaks and recharge.
	d) Expansion Valve	1. Bulb out of position or loose attachment.	1. Place in position.
		2. Defective.	2. Replace.
	e) Hot Gas Valve	1. Coil winding opened.	1. Replace.
		2. Plunger does not move.	2. Replace.
		3. Wiring to hot gas valve.	3. Check for loose connection or open, and replace.
f) Ice Cube Guide	1. Out of position and ice trapped.	1. Place in position.	

### 3. Low Ice Production

Problem	Possible Cause	Remedy
[1] Freeze cycle time is long.	a) See chart 2.[1] and check float switch, inlet water valve, control board, water pump, spray tubes, evaporator, and expansion valve.	
	b) See chart 1.[1] and check dirty air filter or condenser, ambient or water temperature, refrigerant charge, water pressure, and condenser water regulating valve (water-cooled model only).	
	c) Check pump, hot gas valve, headmaster (C.P.R.) (remote air-cooled model only), expansion valve, refrigeration check valve, and compressor.	
[2] Harvest cycle time is long.	a) See chart 2.[2] and check evaporator, water supply line, inlet water valve, ambient and/or water temperature, line valve (if applicable), thermistor, control board, and hot gas valve.	

### 4. Abnormal Ice

Problem	Possible Cause		Remedy
[1] Small cubes.	a) Ice Cube Guide	1. Out of position. Circulated water falls into bin.	1. Place in position.
	b) See chart 1.[5] and check water supply line, inlet water valve, water system, pump motor, and control board.		
	c) Drain Valve	1. Dirty.	1. Clean.
[2] Cloudy or irregular cubes.	a) See chart 2.[1] and 2.[3], and check float switch, inlet water valve, control board, spray tubes, water system, refrigerant charge, and expansion valve.		
	b) Spray Guide	1. Dirty.	1. Clean.
	c) Water Quality	1. High hardness or contains impurities.	1. Install a water softener or filter.

## 5. Other

<b>Problem</b>	<b>Possible Cause</b>	<b>Remedy</b>
[1] Icemaker will not stop when bin is filled with ice.	a) Bin Control	1. Defective. 1. See "II.E.2. Bin Control Check Procedure."
[2] Abnormal noise.	a) Pump Motor	1. Bearings worn out. 1. Replace.
	b) Fan Motor (except water-cooled model)	1. Bearings worn out. 1. Replace.
		2. Fan blade deformed. 2. Replace.
		3. Fan blade does not move freely. 3. Replace.
	c) Compressor	1. Bearings worn out or cylinder valve broken. 1. Replace.
2. Mounting pad out of position. 2. Reinstall.		
d) Refrigerant Lines	1. Rub or touch other lines or surfaces. 1. Reposition.	
[3] Ice in storage bin often melts.	a) Drain Line(s)	1. Plugged. 1. Clean.
	b) Icemaker and Bin	1. Drains not run separately. 1. Separate the drain lines.
	c) Ice Cube Guide	1. Out of position. Circulated water falls into bin. 1. Place in position.



---

## V. Removal and Replacement of Components

### IMPORTANT

1. Ensure all components, fasteners, and thumbscrews are securely in place after the equipment is serviced.
2. The Polyol Ester (POE) oils used in R-404A units can absorb moisture quickly. Therefore it is important to prevent moisture from entering the system when replacing or servicing parts.
3. Always install a new drier every time the sealed refrigeration system is opened. Do not replace the drier until after all other repair or replacement has been made.
4. Do not leave the system open for longer than 15 minutes when replacing or servicing parts.

## A. Service for Refrigerant Lines

### WARNING

Use an electronic leak detector or soap bubbles to check for leaks. Add a trace of refrigerant to the system (if using an electronic leak detector), and then raise the pressure using nitrogen gas (140 PSIG). DO NOT use R-404A as a mixture with pressurized air for leak testing.

### 1. Refrigerant Recovery

The icemaker unit is provided with refrigerant access valves. Using proper refrigerant practices, recover the refrigerant from the access valves and store it in an approved container. Do not discharge the refrigerant into the atmosphere.

### 2. Brazing

### WARNING

1. R-404A itself is not flammable at atmospheric pressure and temperatures up to 176°F (80°C).
2. R-404A itself is not explosive or poisonous. However, when exposed to high temperatures (open flames), R-404A can be decomposed to form hydrofluoric acid and carbonyl fluoride both of which are hazardous.
3. Always recover the refrigerant and store it in an approved container. Do not discharge the refrigerant into the atmosphere.
4. Do not use silver alloy or copper alloy containing arsenic.
5. Use an electronic leak detector or soap bubbles to check for leaks. Add a trace of refrigerant to the system (if using an electronic leak detector), and then raise the pressure using nitrogen gas (140 PSIG). DO NOT use R-404A as a mixture with pressurized air for leak testing.

- 1) Always install a new drier every time the sealed refrigeration system is opened. Do not replace the drier until after all other repair or replacement has been made. Install the new drier with the arrow on the drier in the direction of the refrigerant flow.
- 2) Braze all fittings while purging with nitrogen gas flowing at a pressure of 3 to 4 PSIG.  
Note: Because the pipes in the evaporator case are specially coated to resist corrosion, it is important to make connections outside the evaporator case when possible. If it is necessary to braze inside the evaporator case, use sandpaper to remove the coating from the brazing connections before unbrazing the components.
- 3) Use an electronic leak detector or soap bubbles to check for leaks. Add a trace of refrigerant to the system (if using an electronic leak detector), and then raise the pressure using nitrogen gas (140 PSIG). DO NOT use R-404A as a mixture with pressurized air for leak testing.

### 3. Evacuation and Recharge (R-404A)

- 1) Attach a vacuum pump to the system. Be sure to connect charging hoses to both high and low-side access valves.

#### **IMPORTANT**

The vacuum level and vacuum pump may be the same as those for current refrigerants. However, the rubber hose and gauge manifold to be used for evacuation and refrigerant charge should be exclusively for POE oils.

- 2) Turn on the vacuum pump. Open the service manifold valves. Never allow the oil in the vacuum pump to flow backwards.
- 3) Allow the vacuum pump to pull down to a 29.9" Hg vacuum. Evacuating period depends on pump capacity.
- 4) Close the low-side valve and high-side valve on the service manifold.
- 5) Disconnect the vacuum pump and attach a refrigerant service cylinder to the high-side line. Remember to loosen the connection and purge the air from the hose. For air-cooled and water-cooled models, see the nameplate for the required refrigerant charge. For remote air-cooled models, see the rating label inside the icemaker. Hoshizaki recommends only virgin refrigerant or reclaimed refrigerant which meets ARI Standard No. 700-88 be used.
- 6) A liquid charge is recommended for charging an R-404A system. Invert the service cylinder and place it on scales. Open the high-side valve on the service manifold.
- 7) Allow the system to charge with liquid until the proper charge weight is met.
- 8) If necessary, add any remaining charge to the system through the low-side. Use a throttling valve or liquid dispensing device to add the remaining liquid charge through the low-side access port with the unit running.
- 9) Close the service manifold valves and disconnect the service manifold hoses.
- 10) Cap the access valves to prevent a possible leak.

## B. Removal and Replacement of Compressor

### IMPORTANT

Always install a new drier every time the sealed refrigeration system is opened. Do not replace the drier until after all other repair or replacement has been made.

Note: When replacing a compressor with a defective winding, be sure to install the new start capacitor and start relay supplied with the replacement compressor. Due to the ability of the POE oil in the compressor to absorb moisture quickly, the compressor must not be opened more than 15 minutes for replacement or service. Do not mix lubricants of different compressors even if both are charged with R-404A, except when they use the same lubricant.

- 1) Turn off the power supply.
- 2) Remove the panels.
- 3) Recover the refrigerant and store it in an approved container.
- 4) Remove the terminal cover on the compressor and disconnect the compressor wiring. On remote air-cooled model, disconnect the crankcase heater.
- 5) Remove the hold-down bolts, washers, and rubber grommets.
- 6) Remove the discharge and suction pipes.
- 7) Remove the compressor. Unpack the new compressor package.
- 8) Attach the rubber grommets of the prior compressor.
- 9) Place the compressor in position and secure it using the bolts and washers.
- 10) Remove the drier, then place the new drier in position.
- 11) Remove the plugs from the suction, discharge, and process pipes.
- 12) Braze all fittings while purging with nitrogen gas flowing at a pressure of 3 to 4 PSIG.
- 13) Use an electronic leak detector or soap bubbles to check for leaks. Add a trace of refrigerant to the system (if using an electronic leak detector), and then raise the pressure using nitrogen gas (140 PSIG). DO NOT use R-404A as a mixture with pressurized air for leak testing.
- 14) Evacuate the system and charge it with refrigerant. For air-cooled and water-cooled models, see the nameplate for the required refrigerant charge. For remote air-cooled models, see the rating label inside the icemaker.
- 15) Connect the terminals and replace the terminal cover in its correct position. On remote air-cooled model, connect the crankcase heater.
- 16) Replace the panels in their correct positions.
- 17) Turn on the power supply.

## C. Removal and Replacement of Expansion Valve

### IMPORTANT

Sometimes moisture in the refrigeration circuit exceeds the drier capacity and freezes up at the expansion valve. Always install a new drier every time the sealed refrigeration system is opened. Do not replace the drier until after all other repair or replacement has been made.

- 1) Turn off the power supply.
- 2) Remove the panels.
- 3) Recover the refrigerant and store it in an approved container.
- 4) Remove the insulation and the expansion valve bulb on the suction line.
- 5) Remove the expansion valve cover and disconnect the expansion valve. Place the new expansion valve in position.
- 6) Remove the drier, then place the new drier in position.
- 7) Braze all fittings while purging with nitrogen gas flowing at a pressure of 3 to 4 PSIG.

### CAUTION

Always protect the valve body by using a damp cloth to prevent the valve from overheating. Do not braze with the valve body exceeding 250°F (121°C).

- 8) Use an electronic leak detector or soap bubbles to check for leaks. Add a trace of refrigerant to the system (if using an electronic leak detector), and then raise the pressure using nitrogen gas (140 PSIG). DO NOT use R-404A as a mixture with pressurized air for leak testing.
- 9) Evacuate the system, and charge it with refrigerant. For air-cooled and water-cooled models, see the nameplate for the required refrigerant charge. For remote air-cooled models, see the rating label inside the icemaker.
- 10) Attach the expansion valve bulb to the suction line in the same location as the previous bulb. The bulb should be at the 12 o'clock position on the tube. Be sure to secure the bulb with the clamp and holder and to insulate it.
- 11) Place the expansion valve cover in position.
- 12) Replace the panels in their correct positions.
- 13) Turn on the power supply.

## D. Removal and Replacement of Hot Gas Valve or Line Valve

### IMPORTANT

1. Always use a copper tube of the same diameter and length when replacing the hot gas lines; otherwise the performance may be reduced.
2. Always install a new drier every time the sealed refrigeration system is opened. Do not replace the drier until after all other repair or replacement has been made.
3. Always replace the strainer when replacing the hot gas valve.

- 1) Turn off the power supply.
- 2) Remove the panels.
- 3) Recover the refrigerant and store it in an approved container.
- 4) Remove the screw and the solenoid.
- 5) Disconnect the valve. If replacing the hot gas valve, also remove the strainer.
- 6) Place the new valve and strainer (if applicable) in position.
- 7) Remove the drier, then place the new drier in position.
- 8) Braze all fittings while purging with nitrogen gas flowing at a pressure of 3 to 4 PSIG.

### CAUTION

Always protect the valve body by using a damp cloth to prevent the valve from overheating. Do not braze with the valve body exceeding 250°F (121°C).

- 9) Use an electronic leak detector or soap bubbles to check for leaks. Add a trace of refrigerant to the system (if using an electronic leak detector), and then raise the pressure using nitrogen gas (140 PSIG). DO NOT use R-404A as a mixture with pressurized air for leak testing.
- 10) Evacuate the system, and charge it with refrigerant. For air-cooled and water-cooled models, see the nameplate for the required refrigerant charge. For remote air-cooled models, see the rating label inside the icemaker.
- 11) Cut the leads of the solenoid allowing enough lead length to reconnect using closed end connectors.
- 12) Connect the new solenoid leads.
- 13) Attach the solenoid to the valve body and secure it with the screw.
- 14) Replace the panels in their correct positions.
- 15) Turn on the power supply.

## E. Removal and Replacement of Evaporator

### IMPORTANT

Always install a new drier every time the sealed refrigeration system is opened. Do not replace the drier until after all other repairs or replacement have been made.

- 1) Turn off the power supply.
- 2) Remove the panels and the front and top insulation.
- 3) Recover the refrigerant and store it in an approved container.
- 4) Remove the spray tubes. Remove the insulation at the "U" shaped notch where the refrigeration tubing passes through the molded chassis.
- 5) Disconnect the evaporator tubing.
- 6) Remove the pop rivets securing the evaporator, then lift out the evaporator.
- 7) Install the new evaporator.
- 8) Remove the drier, then place the new drier in position.
- 9) Braze all fittings while purging with nitrogen gas flowing at a pressure of 3 to 4 PSIG.
- 10) Use an electronic leak detector or soap bubbles to check for leaks. Add a trace of refrigerant to the system (if using an electronic leak detector), and then raise the pressure using nitrogen gas (140 PSIG). DO NOT use R-404A as a mixture with pressurized air for leak testing.
- 11) Evacuate the system, and charge it with refrigerant. For air-cooled and water-cooled models, see the nameplate for the required refrigerant charge. For remote air-cooled models, see the rating label inside the icemaker.
- 12) Replace the removed parts in the reverse order of which they were removed.
- 13) Replace the insulation and the panels in their correct positions.
- 14) Turn on the power supply.

## F. Removal and Replacement of Water Regulating Valve

### - Water-Cooled Model Only

### IMPORTANT

Always install a new drier every time the sealed refrigeration system is opened. Do not replace the drier until after all other repair or replacement has been made.

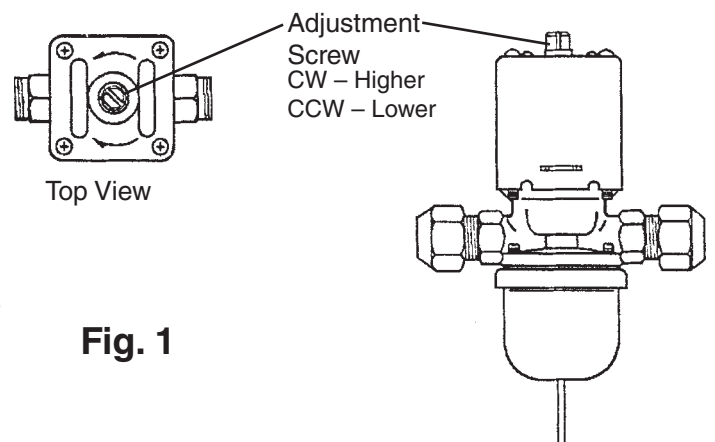
- 1) Turn off the power supply.
- 2) Remove the panels.
- 3) Close the condenser water supply line shut-off valve, then open the condenser water supply line drain valve.

- 4) Attach a compressed air or carbon dioxide supply to the condenser water supply line drain valve.
- 5) Open the water regulating valve by using a screwdriver to pry up on the spring retainer underneath the spring. While holding the valve open, blow out the condenser using the compressed air or carbon dioxide supply until water stops coming out.
- 6) Recover the refrigerant and store it in an approved container.
- 7) Disconnect the capillary tube at the condenser outlet.
- 8) Disconnect the flare-connections of the valve.
- 9) Remove the screws and the valve from the bracket.
- 10) Install the new valve.
- 11) Remove the drier, then place the new drier in position.
- 12) Braze all fittings while purging with nitrogen gas flowing at a pressure of 3 to 4 PSIG.
- 13) Use an electronic leak detector or soap bubbles to check for leaks. Add a trace of refrigerant to the system (if using an electronic leak detector), and then raise the pressure using nitrogen gas (140 PSIG). DO NOT use R-404A as a mixture with pressurized air for leak testing.
- 14) Evacuate the system, and charge it with refrigerant. See the nameplate for the required refrigerant charge.
- 15) Connect the flare-connections.
- 16) Close the condenser water supply line drain valve, then open the condenser water supply line shut-off valve.
- 17) Check for water leaks.
- 18) Replace the panels in their correct positions.
- 19) Turn on the power supply.

### G. Adjustment of Water Regulating Valve - Water-Cooled Model Only

The water regulating valve (also called "water regulator") is factory-adjusted. No adjustment is required under normal use. Adjust the water regulator, if necessary, using the following procedures.

- 1) Prepare a thermometer to check the condenser drain temperature. Attach a pressure gauge to the high-side line of the system.
- 2) Five minutes after a freeze cycle starts, confirm that the thermometer reads 104°F to 115°F (40°C to 46°C). If it does not, rotate the adjustment screw by using a flat blade screwdriver until the temperature is in the proper range. See Fig. 1. Next, check that the reference pressure is in the range indicated in the Head Pressure table in the Performance Data section. If it is not in the proper range, verify the refrigerant charge.
- 3) Check that the condenser drain temperature is stable.



**Fig. 1**

## H. Removal and Replacement of Headmaster (Condensing Pressure Regulator - C.P.R.) - Remote Air-Cooled Model Only

### IMPORTANT

Always install a new drier every time the sealed refrigeration system is opened. Do not replace the drier until after all other repair or replacement has been made.

- 1) Turn off the power supply.
- 2) Remove the panels from the remote condenser unit.
- 3) Recover the refrigerant and store it in an approved container.
- 4) Before heating, break off the stub on the dome to release the dome charge.
- 5) Disconnect the headmaster.
- 6) Place the new headmaster in position.
- 7) Remove the drier, then place the new drier in position.
- 8) Braze all fittings with nitrogen gas flowing at a pressure of 3 to 4 PSIG.

### CAUTION

Always protect the headmaster body by using a damp cloth to prevent it from overheating. Do not braze with the headmaster body exceeding 250°F (121°C).

- 9) Use an electronic leak detector or soap bubbles to check for leaks. Add a trace of refrigerant to the system (if using an electronic leak detector), and then raise the pressure using nitrogen gas (140 PSIG). DO NOT use R-404A as a mixture with pressurized air for leak testing.
- 10) Evacuate the system and charge it with refrigerant. See the rating label inside the icemaker, for the required refrigerant charge.
- 11) Replace the panels in their correct positions.
- 12) Turn on the power supply.

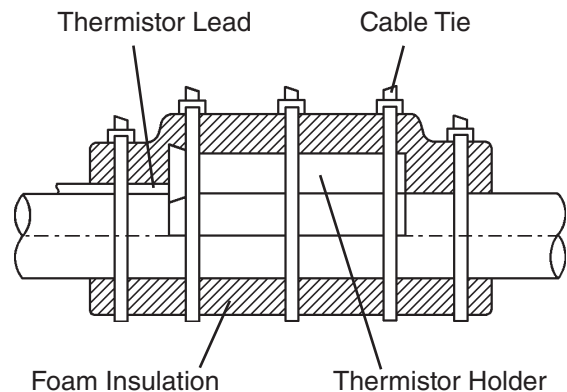


## I. Removal and Replacement of Thermistor

### IMPORTANT

1. Fragile, handle very carefully.
2. Always use the recommended sealant (high thermal conductive type), Model KE4560RTV manufactured by SHINETSU SILICONE, Part Code 60Y000-11, or Part Code 4A0683-01 or equivalent.
3. Always use the recommended foam insulation (non-absorbent type) or equivalent.
4. Do not shorten or cut the thermistor leads.

- 1) Turn off the power supply.
- 2) Remove the panels.
- 3) Remove the control box cover.
- 4) Disconnect the thermistor leads from the K3 connector on the control board.
- 5) Remove the plastic cable ties, foam insulation, thermistor holder and thermistor. See Fig. 2.



**Fig. 2**

- 6) Scrape away the old sealant on the thermistor holder and the suction pipe.
- 7) Wipe off moisture or condensation on the suction pipe.
- 8) Smoothly apply recommended sealant (KE4560RTV, Part Code 60Y000-11 or 4A0683-01) to the thermistor holder concave.
- 9) Attach the new thermistor to the suction pipe in the same position as the previous thermistor. Be very careful to prevent damage to the leads. Secure it using the thermistor holder and recommended foam insulation.
- 10) Secure the insulation using the plastic cable ties.
- 11) Connect the thermistor leads through the bushing of the control box to the K3 connector on the control board.  
Note: Do not shorten or cut the thermistor leads.
- 12) Replace the control box cover and the panels in their correct positions.
- 13) Turn on the power supply.

## **J. Removal and Replacement of Fan Motor**

Note: When replacing a fan motor with defective winding, it is recommended that a new capacitor be installed.

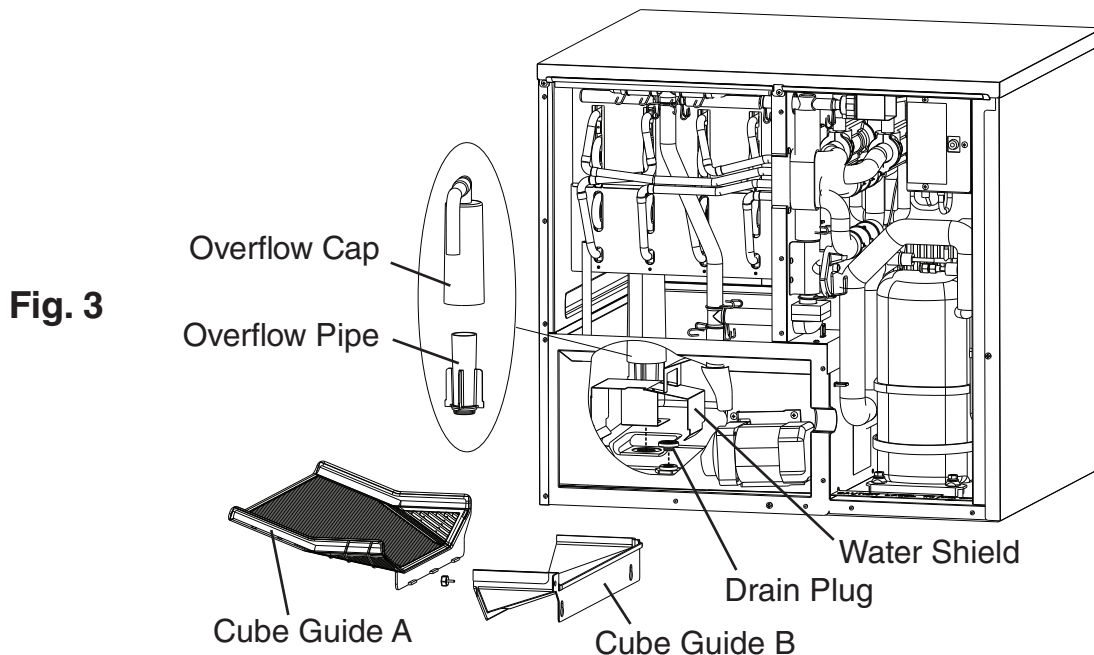
- 1) Turn off the power supply.
- 2) Remove the panels.
- 3) Remove the junction box cover from the remote condenser unit (remote air-cooled model).
- 4) Disconnect the fan motor wires.
- 5) Remove the fan motor bracket and fan motor.
- 6) Install the new fan motor, connect the fan motor wires, and replace the removed parts in the reverse order of which they were removed.
- 7) Replace the panels in their correct positions.
- 8) Replace the junction box cover in its correct position (remote air-cooled model).
- 9) Turn on the power supply.

## **K. Removal and Replacement of Inlet Water Valve or Drain Valve**

- 1) Turn off the power supply.
- 2) If replacing the inlet water valve, close the icemaker water supply line shut-off valve. Open the icemaker water supply line drain valve.
- 3) Remove the panels.
- 4) Remove the tubing attached to the valve. If replacing the inlet water valve, loosen the fitting nut. Be careful not to lose the washer.
- 5) Disconnect the terminals or connector from the valve.
- 6) Remove the bracket and valve from the unit.
- 7) Install the new valve. Replace the removed parts in the reverse order of which they were removed. If replacing the inlet water valve, make sure the washer is in place in the fitting nut.
- 8) If replacing the inlet water valve, close the icemaker water supply line drain valve. Open the icemaker water supply line shut-off valve.
- 9) Turn on the power supply.
- 10) Check for leaks.
- 11) Replace the panels in their correct positions.

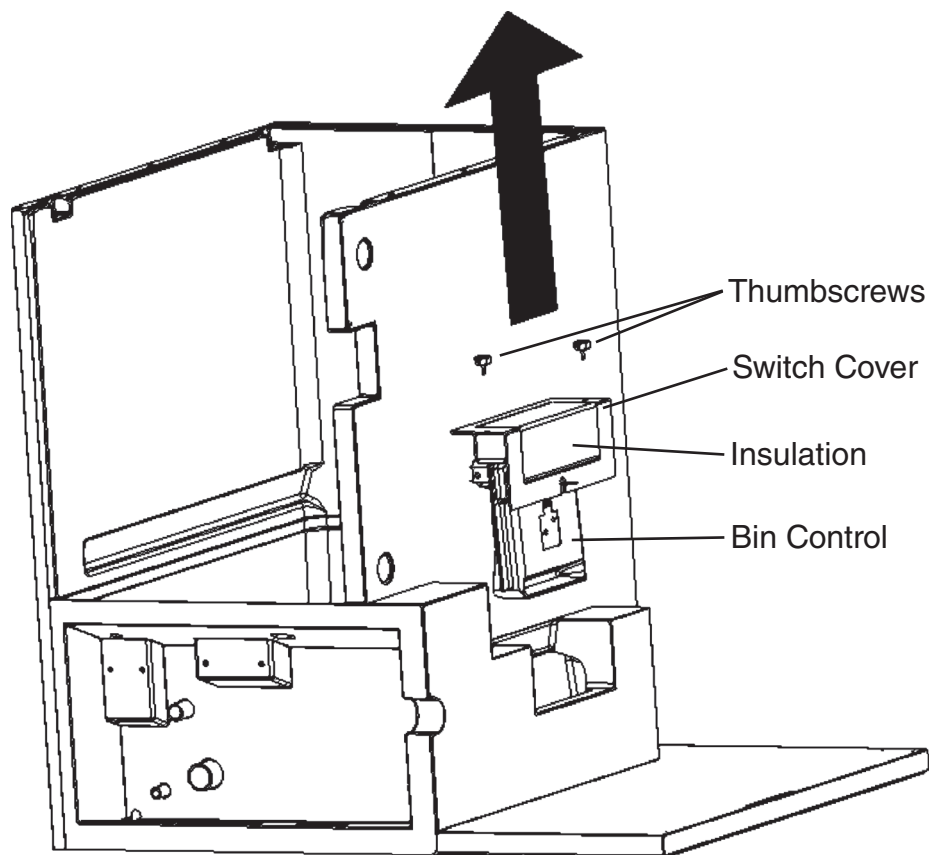
## L. Removal and Replacement of Pump Motor

- 1) Turn off the power supply.
- 2) Remove the front panel. Remove the insulation panel. Remove cube guide B, then remove cube guide A. Remove the overflow cap, overflow pipe, and water shield. See Fig. 3.
- 3) Remove the drain plug and drain the water tank. Replace the drain plug, water shield, overflow pipe, overflow cap, cube guide A, and cube guide B in their correct positions. Be careful not to cross thread the drain plug or overflow pipe. Replace the insulation panel in its correct position.
- 4) Disconnect the pump motor wiring connector.
- 5) Disconnect the hoses attached to the pump motor assembly.
- 6) Remove the two screws securing the pump motor bracket and remove the bracket and pump motor.
- 7) Remove the pump motor from the bracket. Remove the necessary parts from the old pump motor assembly. Inspect the parts and replace any parts if needed. Install the parts on the new pump motor and attach it to the bracket.
- 8) Install the new motor, and replace the removed parts in the reverse order of which they were removed. Be sure to reattach the green ground wire.
- 9) Turn on the power supply and check for leaks.
- 10) Replace the front panel in its correct position.



## M. Removal and Replacement of Bin Control

- 1) Turn off the power supply.
- 2) Remove the front panel and top panel.
- 3) Remove the control box cover.
- 4) Disconnect the bin control connector from the bin control wire harness. The wire harness is connected to the K4 connector on the board.
- 5) Remove the two thumbscrews securing the switch cover. See Fig. 4.
- 6) Lift the bin control assembly out of the icemaker.
- 7) Lift off the insulation, then remove the two thumbscrews attaching the bin control to the switch cover.
- 8) Use the thumbscrews to attach the new bin control to the switch cover.
- 9) Replace the removed bin control parts in the reverse order of which they were removed.
- 10) Route the bin control wires the same as the previous bin control and connect the bin control connector to the bin control wire harness. Replace the control box cover in its correct position.
- 11) Replace the panels in their correct positions.
- 12) Turn on the power supply.



**Fig. 4**

## VI. Cleaning and Maintenance

### IMPORTANT

Ensure all components, fasteners, and thumbscrews are securely in place after any cleaning or maintenance is done to the equipment.

### A. Cleaning and Sanitizing Instructions

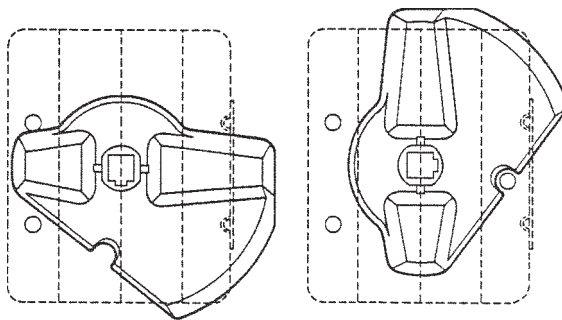
HOSHIZAKI recommends cleaning this icemaker at least once a year. More frequent cleaning, however, may be required in some existing water conditions.

### WARNING

1. To prevent injury to individuals and damage to the icemaker, do not use ammonia type cleaners.
2. Always wear liquid-proof gloves to prevent the cleaning and sanitizing solutions from coming into contact with skin.
3. Carefully follow any instructions provided with the bottles of cleaning and sanitizing solution.
4. Never run the icemaker when the water tank is empty.

### IMPORTANT

1. The cleaning valve is used to allow solution flow to the inside of the evaporator during the cleaning and sanitizing operation. It should be closed for all icemaking operation. The compressor will not operate unless this valve is completely closed.
2. To open the cleaning valve, the valve handle should be parallel to the valve body. To close the valve, the valve handle should be at a right angle to the valve body.

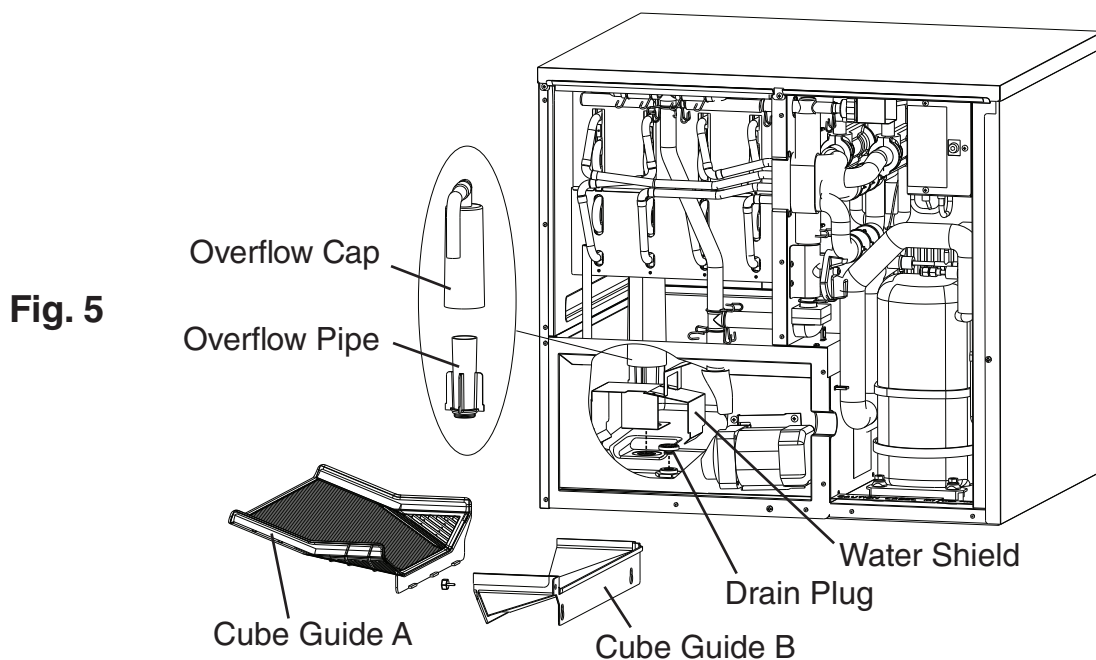


Closed Position

Open Position

## 1. Cleaning Procedure

- 1) Dilute 13.5 fl. oz. (400 ml) of Hoshizaki "Scale Away" with 2.5 gal. (9.5 l) of warm water.
- 2) Remove all ice from the evaporator and the storage bin.  
Note: To remove cubes on the evaporator, turn off the power supply and turn it back on after 3 minutes. The harvest cycle starts and the cubes will be removed from the evaporator.
- 3) Turn off the power supply.
- 4) Remove the front panel. Remove the insulation panel. Remove cube guide B, then remove cube guide A. Remove the overflow cap, overflow pipe, and water shield. See Fig. 5.
- 5) Remove the drain plug and drain the water tank. Replace the drain plug in its correct position. Be careful not to cross thread it.
- 6) Replace the water shield, overflow pipe, overflow cap, cube guide A, and cube guide B in their correct positions. Be careful not to cross thread the overflow pipe.
- 7) In bad or severe water conditions, clean the float switch as described below. Otherwise, continue to step 8.
  - a. Disconnect the vent tube and flush tube from the top of the float switch, then remove the float switch and rubber boot.
  - b. Remove the retainer rod from the bottom of the float switch assembly, then remove the float. Be careful not to bend the retainer rod excessively when removing it.
  - c. Wipe down the float switch assembly's housing, shaft, float, and retainer rod with cleaning solution. Clean the inside of the rubber boot and hose with cleaning solution. Rinse the parts thoroughly with clean water.
  - d. Reassemble the float switch assembly and replace it and the rubber boot in their correct positions. Reconnect the vent tube and the flush tube.
- 8) Pour the cleaning solution into the water tank.



- 9) Fully open the cleaning valve on the left side wall of the machine compartment.
- 10) Move the control switch on the control box to the "WASH" position. Replace the insulation panel and the front panel in their correct positions.
- 11) Turn on the power supply to start the washing process.
- 12) Turn off the power supply after 30 minutes.
- 13) Remove the front panel.
- 14) Remove the insulation panel. Remove cube guide B, then remove cube guide A. Remove the overflow cap, overflow pipe, and water shield.
- 15) Remove the drain plug and drain the water tank. Replace the drain plug in its correct position. Be careful not to cross thread it.
- 16) Replace the water shield, overflow pipe, overflow cap, cube guide A, cube guide B, and insulation panel in their correct positions. Be careful not to cross thread the overflow pipe.
- 17) Move the control switch to the "ICE" position.
- 18) Close the cleaning valve.  
Note: The icemaker will not operate unless the cleaning valve is completely closed.
- 19) Replace the front panel in its correct position.
- 20) Turn on the power supply to fill the water tank with water.
- 21) Turn off the power supply after 3 minutes.
- 22) Remove the front panel and fully open the cleaning valve.
- 23) Move the control switch to the "WASH" position.
- 24) Replace the front panel in its correct position.
- 25) Turn on the power supply to rinse off the cleaning solution.
- 26) Turn off the power supply after 5 minutes.
- 27) Remove the front panel.
- 28) Remove the insulation panel. Remove cube guide B, then remove cube guide A. Remove the overflow cap, overflow pipe, and water shield.
- 29) Remove the drain plug and drain the water tank. Replace the drain plug in its correct position. Be careful not to cross thread it.
- 30) Replace the water shield, overflow pipe, overflow cap, cube guide A, cube guide B, and insulation panel in their correct positions. Be careful not to cross thread the overflow pipe.
- 31) Repeat steps 17 through 30 three more times to rinse thoroughly.  
Note: If you do not sanitize the icemaker, go to step 12 in "2. Sanitizing Procedure."

## **2. Sanitizing Procedure - Following Cleaning Procedure**

- 1) Dilute a 5.25% sodium hypochlorite solution (chlorine bleach) with warm water (add 1.25 fl. oz. (37 ml) to 2.5 gal. (9.5 l) of water).
- 2) Remove the insulation panel.

- 3) Pour the sanitizing solution into the water tank.
- 4) Replace the insulation panel and the front panel in their correct positions.  
Note: Make sure that the control switch is in the "WASH" position and the cleaning valve is open.
- 5) Turn on the power supply to start the sanitizing process.
- 6) Turn off the power supply after 15 minutes.
- 7) Remove the front panel.
- 8) Remove the insulation panel. Remove cube guide B, then remove cube guide A. Remove the overflow cap, overflow pipe, and water shield.
- 9) Remove the drain plug and drain the water tank. Replace the drain plug in its correct position. Be careful not to cross thread it.
- 10) Replace the water shield, overflow pipe, overflow cap, cube guide A, cube guide B, and insulation panel in their correct positions. Be careful not to cross thread the overflow pipe.
- 11) Repeat steps 17 through 30 in "1. Cleaning Procedure" two times to rinse thoroughly.
- 12) Close the cleaning valve.
- 13) Move the control switch to the "ICE" position.
- 14) Replace the front panel in its correct position.
- 15) Clean the storage bin/dispenser unit liner using a neutral cleaner. Rinse thoroughly after cleaning.
- 16) Turn on the power supply to start the automatic icemaking process.

## **B. Maintenance**

### **IMPORTANT**

This icemaker must be maintained individually, referring to the instruction manual and labels provided with the icemaker.

#### **1. Stainless Steel Exterior**

To prevent corrosion, wipe the exterior occasionally with a clean, soft cloth. Use a damp cloth containing a neutral cleaner to wipe off oil or dirt build up.

#### **2. Storage Bin and Scoop**

- Wash your hands before removing ice. Use the plastic scoop provided (bin accessory).
- The storage bin/dispenser unit is for ice use only. Do not store anything else in the bin/dispenser.
- Clean the scoop and the storage bin/dispenser unit liner using a neutral cleaner. Rinse thoroughly after cleaning.



### **3. Air Filters (air-cooled model only)**

Plastic mesh air filters remove dirt and dust from the air, and keep the condenser from getting clogged. As the filters get clogged, the icemaker's performance will be reduced. Check the filters at least twice a month. When clogged, use warm water and a neutral cleaner to wash the filters.

### **4. Condenser (air-cooled and remote air-cooled models only)**

Check the condenser once a year, and clean if required by using a brush or vacuum cleaner. More frequent cleaning may be required depending on location.

## **C. Preparing the Icemaker for Long Storage**

### **CAUTION**

When shutting off the icemaker for an extended time, drain out all water from the water line and remove the ice from the storage bin/dispenser unit. The bin/dispenser should be cleaned and dried. Drain the icemaker to prevent damage to the water supply line at sub-freezing temperatures, using air or carbon dioxide. Shut off the icemaker until the proper ambient temperature is resumed.

When the icemaker is not used for two or three days, it is sufficient to only move the control switch to the "OFF" position, unless the icemaker will be at sub-freezing temperatures.

### **1. On water-cooled model only, first remove the water from the water-cooled condenser:**

- 1) Turn off the power supply and remove the front panel and right side panel.
- 2) Close the condenser water supply line shut-off valve and open the condenser water supply line drain valve.
- 3) Attach a compressed air or carbon dioxide supply to the condenser water supply line drain valve.
- 4) Open the water regulating valve by using a screwdriver to pry up on the spring retainer underneath the spring. While holding the valve open, blow out the condenser using the compressed air or carbon dioxide supply until water stops coming out.
- 5) Close the condenser water supply line drain valve and replace the right side panel in its correct position.

### **2. Remove the water from the icemaker water supply line:**

- 1) If you have not already done so, turn off the power supply and remove the front panel.
- 2) Close the icemaker water supply line shut-off valve and open the icemaker water supply line drain valve.
- 3) Allow the line to drain by gravity.
- 4) Attach a compressed air or carbon dioxide supply to the icemaker water supply line drain valve.
- 5) Make sure at least 3 minutes have elapsed since you turned off the power supply. Make sure the control switch is in the "ICE" position. Replace the front panel in its correct position and turn on the power supply.

- 6) Blow the icemaker water supply line out using the compressed air or carbon dioxide supply.
- 7) Close the icemaker water supply line drain valve.

### **3. Drain the water tank:**

- 1) Turn off the power supply.
- 2) Move the control switch to the "OFF" position.
- 3) Remove the insulation panel. Remove cube guide B, then remove cube guide A. Remove the overflow cap, overflow pipe, and water shield. See Fig. 5.
- 4) Remove the drain plug.
- 5) Remove all ice from the storage bin/dispenser unit. Clean the storage bin/dispenser unit using a neutral cleaner. Rinse thoroughly after cleaning.
- 6) Replace the drain plug, water shield, overflow pipe, overflow cap, cube guide A, cube guide B, and insulation panel in their correct positions. Be careful not to cross thread the drain plug or overflow pipe.
- 7) Replace the front panel in its correct position.