



KMD-901M_H

MODULAR CRESCENT CUBER



KMD-901M_H
03/31/2017
Item # 13221

Item #: _____
Project: _____
Qty: _____
AIA#: _____


W x D x H
30" x 24^{5/8"} x 28"



KMD-901MWH
Water-Cooled
Shown on optional
Lancer 30" dispenser

KMD-901MRH
Remote Air-Cooled



Features

- ▶ Individual crescent cube
- ▶ Stainless steel evaporator
- ▶ CycleSaver™ design 

- Up to 922 lbs. of ice production per 24 hours
- Ice on beverage design
- Durable stainless steel exterior
- Protected by H-Guard Plus Antimicrobial Agent 
- EverCheck™ alert system 
- Removable air filters (Air-cooled model only)
- R-404A Refrigerant

Available on Bins:

**B-250PF B-500PF/SF B-800PF/SF B-1150SS B-1500SS*
B-500PF/SF B-700PF/SF B-900PF/SF B-1300SS B-1650SS***

Top kit may be required. See Bin Spec Sheets. *Two unit application only.

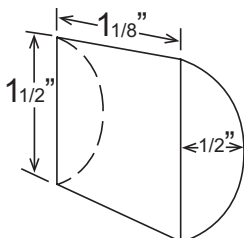
Warranty:

3 Year Parts & Labor on entire machine. 5 Year Parts & Labor on Evaporator. 5 Year Parts on Compressor; air-cooled condenser coil. Valid in United States, Canada, Puerto Rico and U.S. Territories. Contact factory for warranty in other countries.



Condenser	Model	ICE PRODUCTION				WATER USAGE			ELECTRICAL				ENERGY STAR®
		Air / Water Temp Lbs. per 24 hours		Per Cycle		Potable Gal. per 100 lbs.	Condenser Gal. per 100 lbs.	kWh Used per 100 lbs.	Max. Fuse Size or HACR Circuit Breaker	Amperage	Voltage	Heat Rejection BTU/hr.	
		70°/50°F	90°/70°F	Lbs.	Cubes	90°/70°F	90°/70°F	90°/70°F					
Water-Cooled	KMD-901MWH	922	860	13.4	624	21.1	137	4.3	20A	7.8A	208-230V/60/1	12,000	251 lbs.
Remote Air-Cooled	KMD-901MRH	848	775	12.0	624	20.0	N/A	5.3	20A	10.0A	208-230V/60/1	12,600	258 lbs.

KM Cube Dimensions*



* approximate size in inches, image not to scale

Operating Limits

- Ambient Temp Range 45 - 100°F
- Water Temp Range 45 - 90°F
- Water Pressure 10 - 113 PSIG
- Voltage Range 187 - 253V

Service

- Panels easily removed and all components accessible for service.
- Allow 6" (15cm) clearance at rear, sides, and top for proper air circulation and ease of maintenance/service.

Plumbing

- Icemaker Water Supply Line: Minimum 1/4" Nominal ID Copper Water Tubing or Equivalent
- Icemaker Drain Line: Minimum 3/4" Nominal ID Hard Pipe or Equivalent
- Water-Cooled Model (Lines Must Be Independent of Icemaker)
- Condenser Water Supply Line: Minimum 1/4" Nominal ID Copper Water Tubing or Equivalent
- Condenser Drain/Return Line: Minimum 1/4" Nominal ID Hard Pipe (open drain system) or Copper Water Tubing (closed loop system) or Equivalent



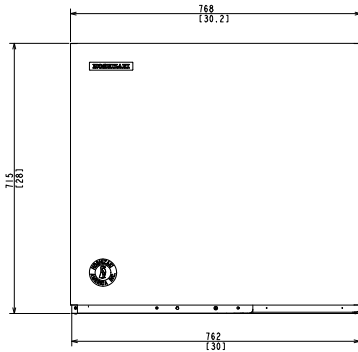
KMD-901M_H

MODULAR CRESCENT CUBER

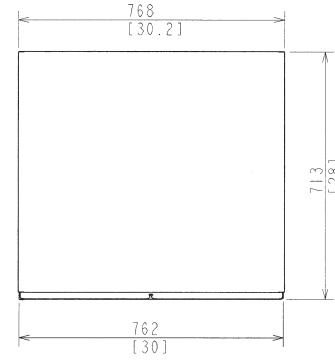


KMD-901M_H
03/31/2017
Item # 13221

FRONT VIEW

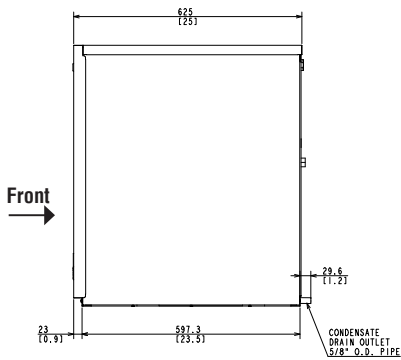


WATER-COOLED

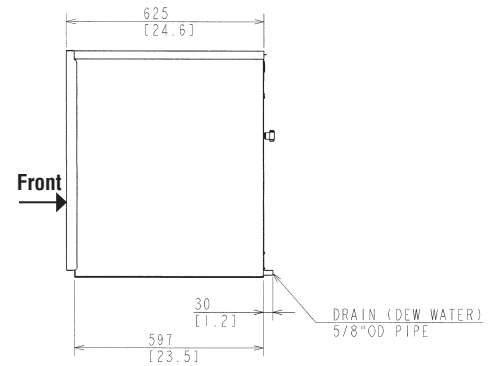


REMOTE AIR-COOLED

SIDE VIEW

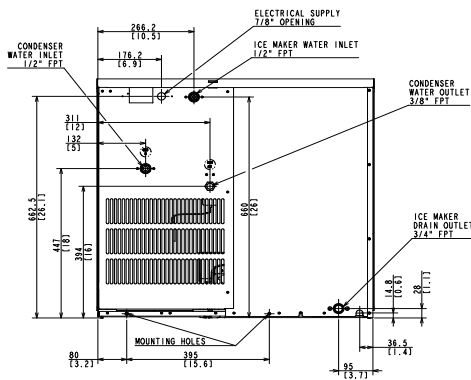


WATER-COOLED

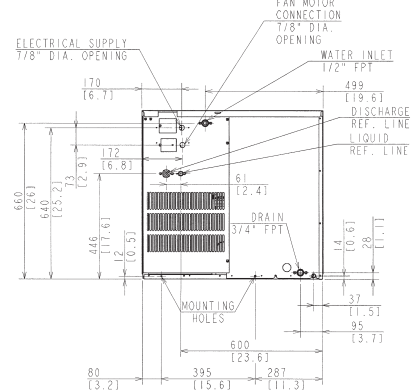


REMOTE AIR-COOLED

BACK VIEW

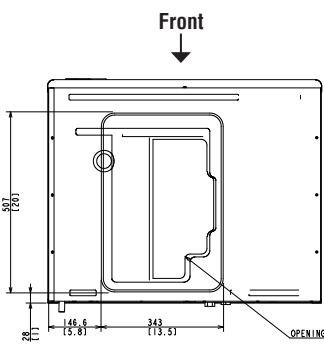


WATER-COOLED

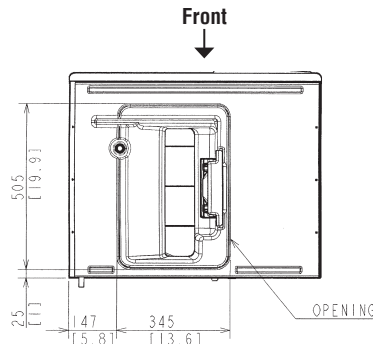


REMOTE AIR-COOLED

BOTTOM VIEW

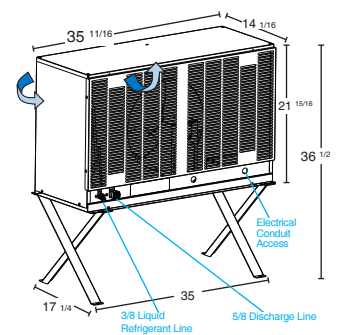


WATER-COOLED



REMOTE AIR-COOLED

URC-9F Remote Condenser (Sold Separately)
(W x D x H) 35^{11/16} x 14^{1/16} x 36^{1/2}
For Use with KMD-901MRH



Pre-Charged Tubing Kits
(Sold Separately)
20' R404-2068-2
35' R404-3568-2
55' R404-5568-2



Voltage supply for the URC Remote Condenser is supplied from the Ice Maker. No additional circuit is required.