

# Hoshizaki America, Inc.

## Stackable Crescent Cuber

### Models

KMH-2000SVH/3

KMH-2000SRH/3



“A Superior Degree  
of Reliability”

[www.hoshizaki.com](http://www.hoshizaki.com)

## INSTRUCTION MANUAL



Issued: 4-28-2015

**IMPORTANT**

Only qualified service technicians should install, service, and maintain the icemaker. No installation, service, or maintenance should be undertaken until the technician has thoroughly read this Instruction Manual. Likewise, the owner/manager should not proceed to operate the icemaker until the installer has instructed them on its proper operation. Failure to install, operate, and maintain the equipment in accordance with this manual may adversely affect safety, performance, component life, and warranty coverage.

Hoshizaki provides this manual primarily to assist qualified service technicians in the installation, maintenance, and service of the icemaker.

Should the reader have any questions or concerns which have not been satisfactorily addressed, please call, write, or send an e-mail message to the Hoshizaki Technical Support Department for assistance.

HOSHIZAKI AMERICA, INC.  
618 Highway 74 South  
Peachtree City, GA 30269

Attn: Hoshizaki Technical Support Department

Phone: 1-800-233-1940 Technical Support  
(770) 487-2331

Fax: 1-800-843-1056  
(770) 487-3360

E-mail: techsupport@hoshizaki.com

Web Site: www.hoshizaki.com

**NOTE:** To expedite assistance, all correspondence/communication MUST include the following information:

- Model Number \_\_\_\_\_
- Serial Number \_\_\_\_\_
- Complete and detailed explanation of the problem.

## IMPORTANT

This manual should be read carefully before the icemaker is installed and operated. Only qualified service technicians should install, service, and maintain the icemaker. Read the warnings contained in this booklet carefully as they give important information regarding safety. Please retain this booklet for any further reference that may be necessary.

## CONTENTS

Important Safety Information .....	4
I. Specifications.....	5
A. Nameplate Rating .....	5
1. KMH-2000SWH (water-cooled) .....	5
2. KMH-2000SWH3 (water-cooled) .....	6
3. KMH-2000SRH (remote air-cooled).....	7
4. KMH-2000SRH3 (remote air-cooled).....	8
B. Dimensions/Connections .....	9
II. Installation and Operating Instructions .....	11
A. Checks Before Installation.....	11
B. How to Remove Panels .....	11
C. Location .....	12
D. Setup.....	12
E. Installation of Upper Unit.....	14
F. Electrical Connection .....	16
G. Installation of Remote Condenser Unit .....	18
1. Checks Before Installation.....	18
2. Location .....	18
3. Setup .....	19
4. Line Set .....	19
5. Refrigerant Charge (Line Set Exceeding 66 Feet).....	22
6. Electrical Connection.....	22
7. Stacking Remote Condenser Units .....	23
H. Water Supply and Drain Connections .....	24
1. Icemaker .....	25
2. Water-Cooled Condenser.....	26
a) Connection to an Open Drain System .....	26
b) Connection to a Closed Loop System .....	27
I. Final Checklist .....	28
J. Startup .....	29
III. Maintenance .....	30
A. Maintenance Schedule.....	30
B. Cleaning and Sanitizing Instructions .....	31
IV. Preparing the Icemaker for Periods of Non-Use .....	34
V. Disposal .....	36

---

## Important Safety Information

Throughout this manual, notices appear to bring your attention to situations which could result in death, serious injury, or damage to the unit.

**⚠ WARNING** Indicates a hazardous situation which could result in death or serious injury.

**CAUTION** Indicates a situation which could result in damage to the unit.

**IMPORTANT** Indicates important information about the use and care of the unit.

### **⚠ WARNING**

This icemaker should be destined only to the use for which it has been expressly conceived. Any other use should be considered improper and therefore dangerous. The manufacturer cannot be held responsible for eventual damage caused by improper, incorrect, and unreasonable use.

**To reduce the risk of death, electric shock, serious injury, or fire, follow basic precautions including the following:**

- Electrical connection must be hard-wired and must meet national, state, and local electrical code requirements. Failure to meet these code requirements could result in death, electric shock, serious injury, fire, or severe damage to equipment.
- This unit requires an independent power supply. See the nameplate for proper voltage and breaker/fuse size. Failure to use a proper breaker or fuse can result in a tripped breaker, blown fuse, or damage to existing wiring. This could lead to heat generation or fire.
- **THIS UNIT MUST BE GROUNDED.** Failure to properly ground this unit could result in death or serious injury.
- This unit should be disassembled or repaired only by qualified service personnel to reduce the risk of electric shock, injury, or fire.
- Do not make any alterations to the unit. Alterations could result in electric shock, injury, fire, or damage to the unit.

# I. Specifications


## A. Nameplate Rating


### 1. KMH-2000SWH (water-cooled)


<b>HOSHIZAKI ICE MAKER</b>	
MODEL NUMBER	KMH-2000SWH
SERIAL NUMBER	
AC SUPPLY VOLTAGE	208-230/60/1 (3 WIRE WITH NEUTRAL FOR 115V)
COMPRESSOR	230V 11.1RLA 73LRA
PUMP	120V 1.2FLA 60W
FAN	- - -
OTHER	115V 0.3A
MAXIMUM FUSE SIZE	30 AMPS
MAX. HACR BREAKER (USA ONLY)	30 AMPS
MAX. CIRC. BREAKER (CANADA ONLY)	30 AMPS
MINIMUM CIRCUIT AMPACITY	30 AMPS
DESIGN PRESSURE	HI-427PSI LO-230PSI
REFRIGERANT	404A 3 LB. 1.4 OZ.

**MOTOR-COMPRESSOR THERMALLY PROTECTED,  
NOT INTENDED FOR OUTDOOR USE!**

**Hoshizaki America, Inc.**  
Peachtree City, GA  
[www.hoshizaki.com](http://www.hoshizaki.com)

 **UL** US LISTED  
ICE MAKER WITHOUT  
STORAGE MEANS  
946Z

 **NSF**  
COMPONENT

 **AHRI CERTIFIED**  
www.ahridirectory.org  
Automatic Commercial Ice-Makers  
ANSI Standard 810

See the nameplate for electrical and refrigeration specifications. This nameplate is located on the rear panel.

Since this nameplate is located on the rear panel of the icemaker, it cannot be read when the back of the icemaker is against a wall or against another piece of kitchen equipment. Therefore, the necessary electrical and refrigeration information is also on the rating label, which can be easily seen by removing only the front panel of the icemaker.

We reserve the right to make changes in specifications and design without prior notice.


## 2. KMH-2000SWH3 (water-cooled)

### HOSHIZAKI ICE MAKER


MODEL NUMBER	KMH-2000SWH3
SERIAL NUMBER	
AC SUPPLY VOLTAGE	208-230/60/3
COMPRESSOR	230V 7.8RLA 66LRA
PUMP	120V 1.2FLA 60W
FAN	- - -
OTHER	115V 0.3A
MAXIMUM FUSE SIZE	20 AMPS
MAX. HACR BREAKER (USA ONLY)	20 AMPS
MAX. CIRC. BREAKER (CANADA ONLY)	20 AMPS
MINIMUM CIRCUIT AMPACITY	20 AMPS
DESIGN PRESSURE	HI-427PSI LO-230PSI
REFRIGERANT	404A 3 LB. 1.4 OZ.

MOTOR-COMPRESSOR THERMALLY PROTECTED,  
NOT INTENDED FOR OUTDOOR USE!


Hoshizaki America, Inc.  
Peachtree City, GA  
[www.hoshizaki.com](http://www.hoshizaki.com)



ICE MAKER WITHOUT  
STORAGE MEANS  
946Z



COMPONENT



Automatic Commercial Ice-Makers  
AHRI Standard 610

See the nameplate for electrical and refrigeration specifications. This nameplate is located on the rear panel.

Since this nameplate is located on the rear panel of the icemaker, it cannot be read when the back of the icemaker is against a wall or against another piece of kitchen equipment. Therefore, the necessary electrical and refrigeration information is also on the rating label, which can be easily seen by removing only the front panel of the icemaker.


We reserve the right to make changes in specifications and design without prior notice.


### 3. KMH-2000SRH (remote air-cooled)


<b>HOSHIZAKI ICE MAKER</b>	
MODEL NUMBER	KMH-2000SRH
SERIAL NUMBER	
AC SUPPLY VOLTAGE	208-230/60/1 (3 WIRE WITH NEUTRAL FOR 115V)
COMPRESSOR	230V 10.9RLA 73LRA
PUMP	120V 1.2FLA 60W
FAN REMOTE	3A MAX
OTHER	115V 0.3A
MAXIMUM FUSE SIZE	30 AMPS
MAX. HACR BREAKER(USA ONLY)	30 AMPS
MAX. CIRC. BREAKER (CANADA ONLY)	30 AMPS
MINIMUM CIRCUIT AMPACITY	30 AMPS
DESIGN PRESSURE	HI-467PSI LO-230PSI
REFRIGERANT	404A

**MOTOR-COMPRESSOR THERMALLY PROTECTED,  
NOT INTENDED FOR OUTDOOR USE!**

**Hoshizaki America, Inc.**  
Peachtree City, GA  
[www.hoshizaki.com](http://www.hoshizaki.com)

 **UL** US LISTED  
ICE MAKER WITHOUT  
STORAGE MEANS  
946Z

 **NSF**  
COMPONENT

 **AHRP CERTIFIED**  
www.ahrpdirectory.org  
Automatic Commercial Ice-Makers  
AHRP Standard 610

See the nameplate for electrical and refrigeration specifications. This nameplate is located on the rear panel.

Since this nameplate is located on the rear panel of the icemaker, it cannot be read when the back of the icemaker is against a wall or against another piece of kitchen equipment. Therefore, the necessary electrical and refrigeration information is also on the rating label, which can be easily seen by removing only the front panel of the icemaker.


We reserve the right to make changes in specifications and design without prior notice.


#### 4. KMH-2000SRH3 (remote air-cooled)


<b>HOSHIZAKI ICE MAKER</b>	
MODEL NUMBER	KMH-2000SRH3
SERIAL NUMBER	
AC SUPPLY VOLTAGE	208-230/60/3
COMPRESSOR	230V 7.9RLA 66LRA
PUMP	120V 1.2FLA 60W
FAN REMOTE	3A MAX
OTHER	115V 0.3A
MAXIMUM FUSE SIZE	20 AMPS
MAX. HACR BREAKER (USA ONLY)	20 AMPS
MAX. CIRC. BREAKER (CANADA ONLY)	20 AMPS
MINIMUM CIRCUIT AMPACITY	20 AMPS
DESIGN PRESSURE	HI-467PSI LO-230PSI
REFRIGERANT	404A

**MOTOR-COMPRESSOR THERMALLY PROTECTED,  
NOT INTENDED FOR OUTDOOR USE!**

**Hoshizaki America, Inc.**  
Peachtree City, GA  
[www.hoshizaki.com](http://www.hoshizaki.com)

 **UL** US LISTED  
ICE MAKER WITHOUT  
STORAGE MEANS  
946Z

 **NSF**  
COMPONENT

 **AHPA CERTIFIED**  
Automatic Commercial Ice-Makers  
AHPA Standard 610

See the nameplate for electrical and refrigeration specifications. This nameplate is located on the rear panel.

Since this nameplate is located on the rear panel of the icemaker, it cannot be read when the back of the icemaker is against a wall or against another piece of kitchen equipment. Therefore, the necessary electrical and refrigeration information is also on the rating label, which can be easily seen by removing only the front panel of the icemaker.

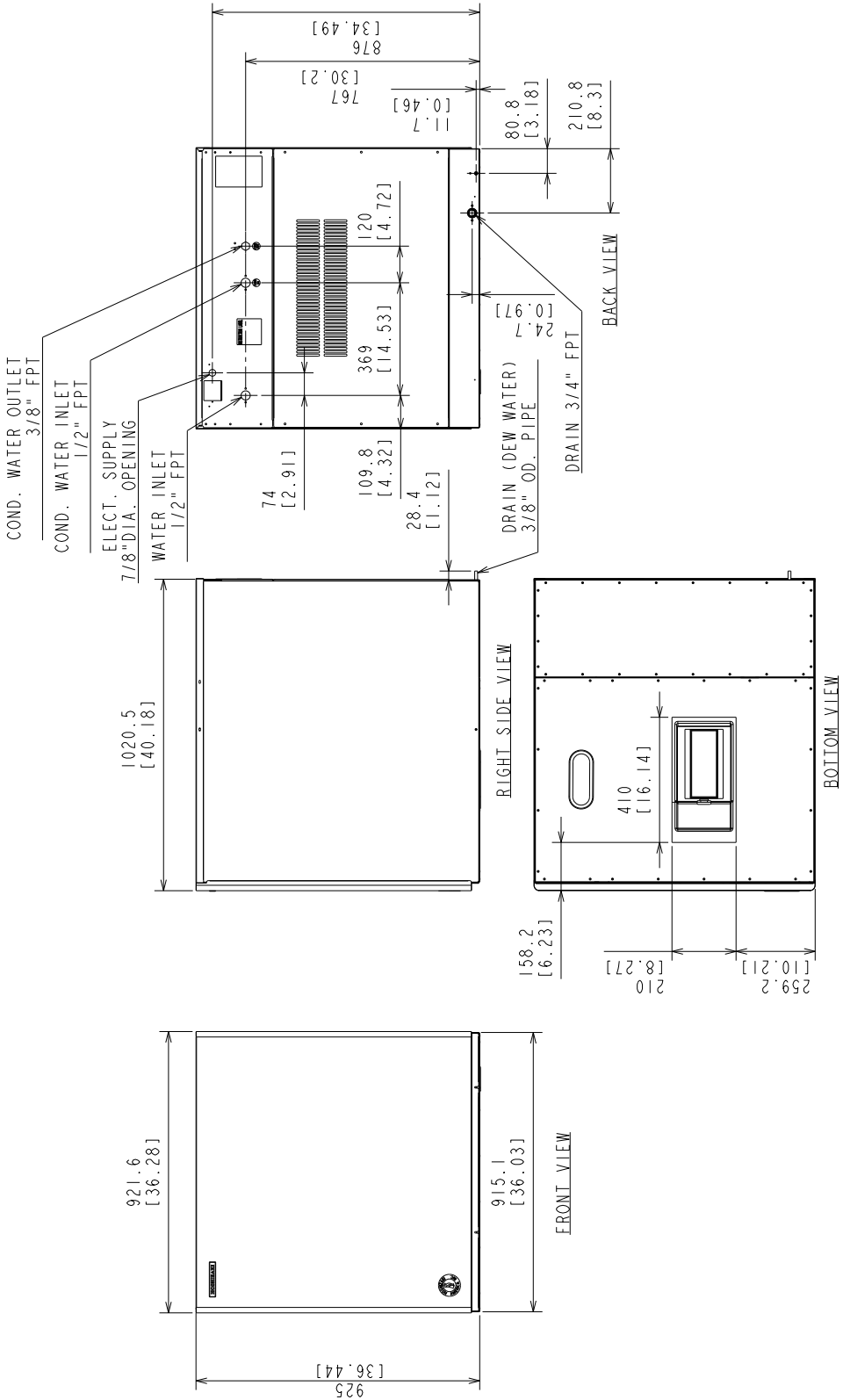
We reserve the right to make changes in specifications and design without prior notice.



# B. Dimensions/Connections

## 1. KMH-2000SWH/3 (water-cooled)

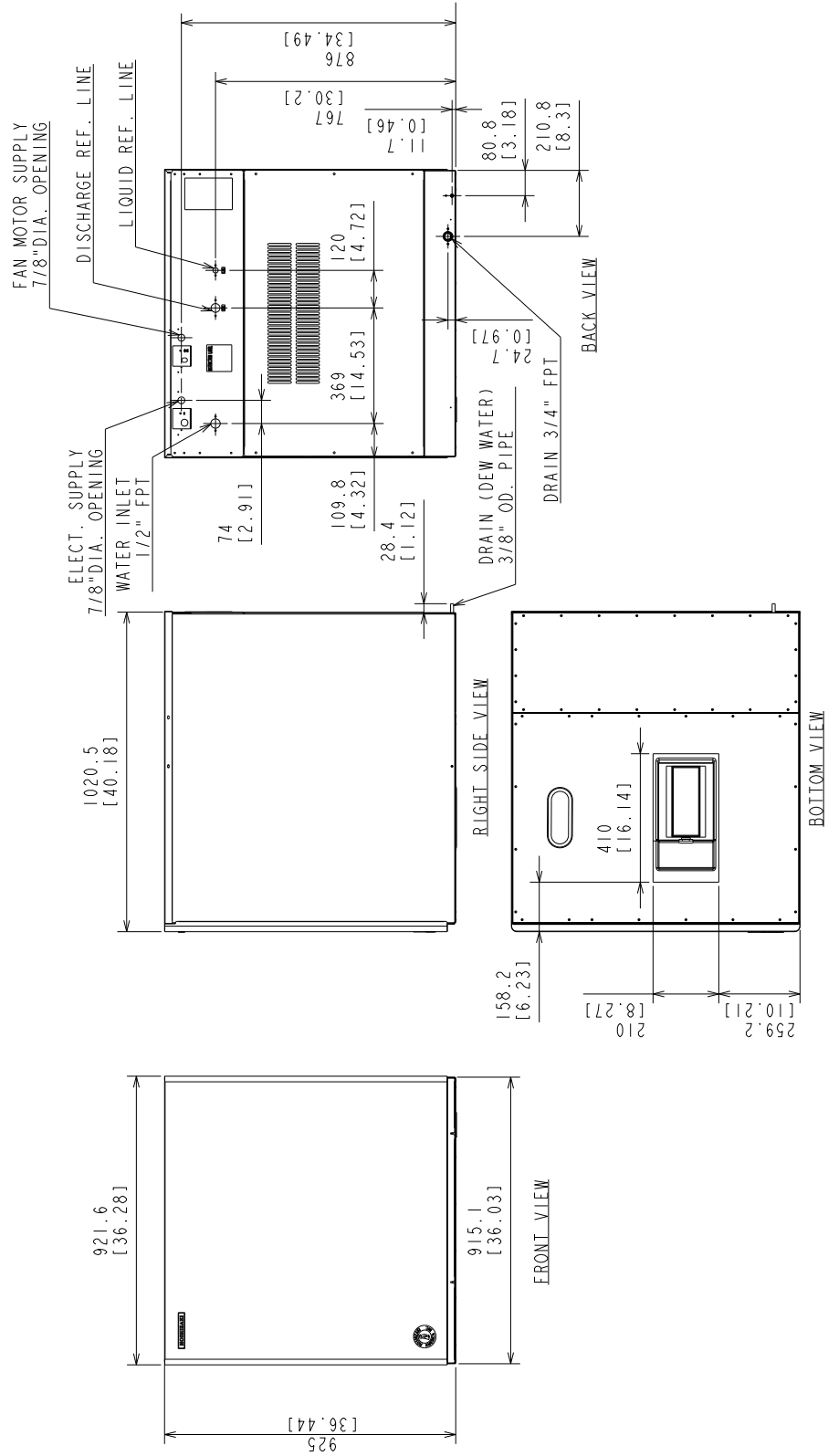
Unit: mm [in.]



Note: The storage bin opening must match the bottom opening as in the illustration.

## 2. KMH-2000SRH/3 (remote air-cooled)

Unit: mm [in.]



Note: The storage bin opening must match the bottom opening as in the illustration.

## II. Installation and Operating Instructions

### ⚠ WARNING

1. This icemaker must be installed in accordance with applicable national, state, and local regulations.
2. **CHOKING HAZARD:** Ensure all components, fasteners, and thumbscrews are securely in place after installation. Make sure that none have fallen into the storage bin.

### A. Checks Before Installation

- Visually inspect the exterior of the shipping container and immediately report any damage to the carrier. Upon opening the container, any concealed damage should also be immediately reported to the carrier.
- Remove the shipping carton, tape, and packing material. If any are left in the icemaker, it will not work properly.
- Remove the panels to prevent damage when installing the icemaker. See "II.B. How to Remove Panels."
- Remove the package containing the accessories.
- Remove the protective plastic film from the panels. If the icemaker is exposed to the sun or to heat, remove the film after the icemaker cools.
- Check that the refrigerant lines do not rub or touch lines or other surfaces, and that the fan blade (if applicable) turns freely.
- Check that the compressor is snug on all mounting pads.
- See the nameplate on the rear panel, and check that your voltage supplied corresponds with the voltage specified on the nameplate.
- This icemaker can be installed on a storage bin 30" wide or wider with a depth of 40" or greater.
- On remote air-cooled model, a remote condenser unit is needed. Hoshizaki Remote Condenser Unit, Model URC-22F is recommended.

### B. How to Remove Panels

See Fig. 1

- Front Panel: Remove the 2 screws. Lift up and towards you.
- Top Panel: Remove the 2 screws, and lift off.
- Side Panel (R): Remove the screw. Slide forward slightly and lift off.
- Side Panel (L): Remove the 6 screws, and lift off.
- Rear Panel: Remove the 6 screws, and lift off.
- Insulation Panel: Remove the thumbscrew. Lift up slightly and pull towards you.

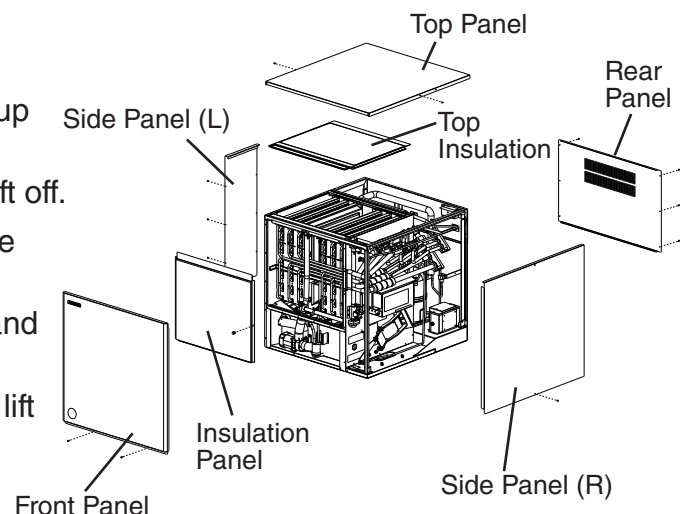


Fig. 1

## C. Location

### CAUTION

1. This icemaker is not intended for outdoor use. Normal operating ambient temperature should be within 45°F to 100°F (7°C to 38°C); Normal operating water temperature should be within 45°F to 90°F (7°C to 32°C). Operation of the icemaker, for extended periods, outside of these normal temperature ranges may affect icemaker performance.
2. This icemaker will not work at sub-freezing temperatures. To prevent damage to the water supply line, drain the icemaker if the air temperature is going to go below 32°F (0°C). See "III.C. Preparing the Icemaker for Long Storage."

For best operating results:

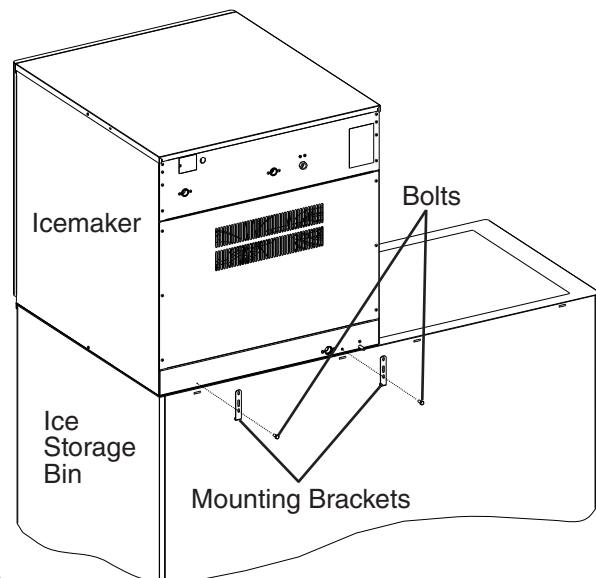
- The icemaker should not be located next to ovens, grills, or other high heat producing equipment.
- The location should provide a firm and level foundation for the equipment.
- Allow 6" (15 cm) clearance at exposed side(s), rear, and top for proper air circulation and ease of maintenance and/or service should they be required.

## D. Setup

### CAUTION

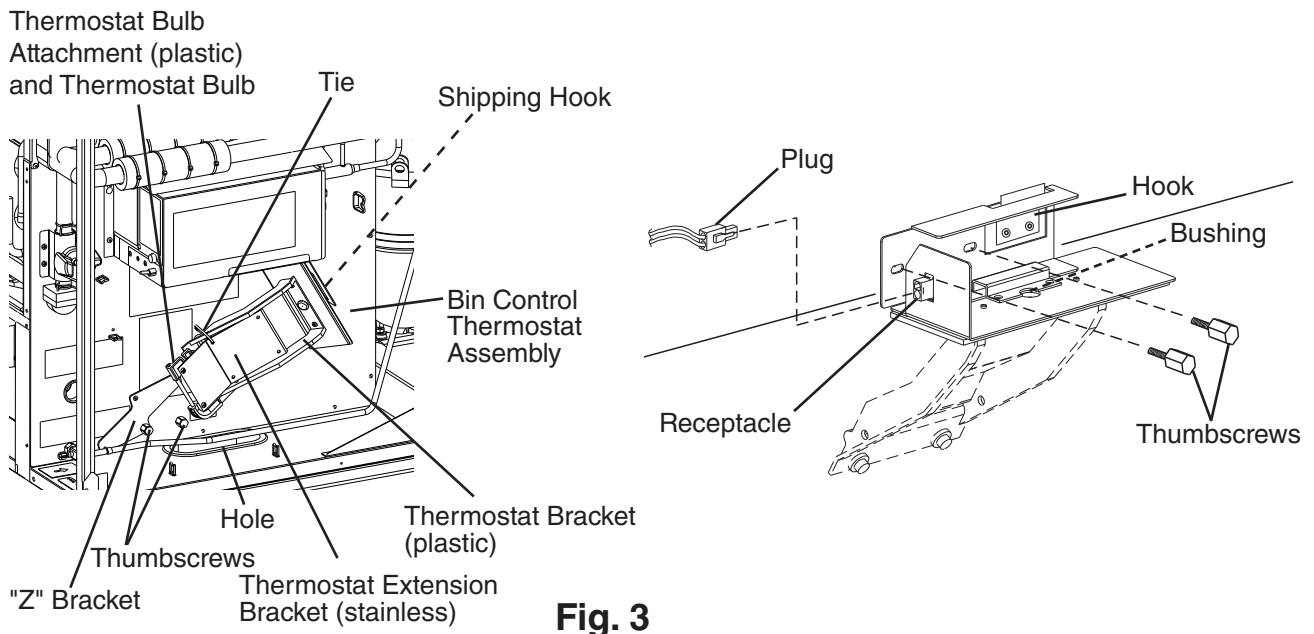
Before operating the icemaker, the bin control thermostat assembly must be installed correctly. Failure to properly install the assembly could result in ice backup and unit damage.

- 1) Assemble the storage bin according to the manufacturer's instructions.
- 2) Position the storage bin in the selected permanent location.
- 3) Level the storage bin in both the left-to-right and front-to-rear directions according to the manufacturer's instructions.
- 4) Place the icemaker on top of the storage bin.
- 5) Secure the icemaker to the storage bin using the 2 mounting brackets and the bolts provided. See Fig. 2.
- 5) Install the bin control thermostat as follows:
  - a. Remove the baffle from the bin (if applicable).



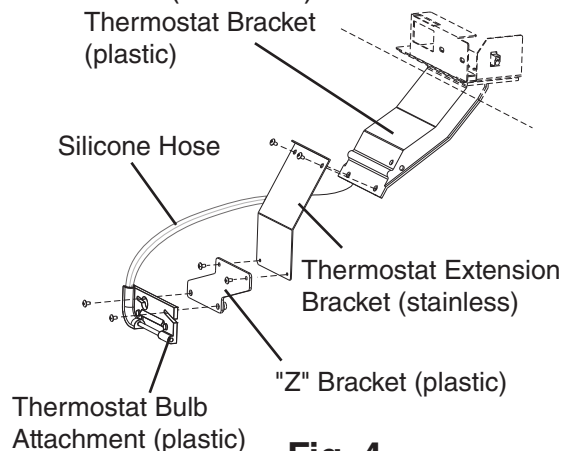
**Fig. 2**

- b. Remove the tie securing the bin control thermostat assembly. Remove the 2 thumbscrews and the "Z" bracket. See Fig. 3.
  - c. Remove the bin control thermostat assembly from the shipping hook. Lower the thermostat extension bracket (stainless) with the thermostat bulb attachment and thermostat bulb through the hole located at the bottom of the icemaker. Next, lower the thermostat bracket (plastic) through the hole.
  - d. Slide the left side of the upper part of the assembly towards you and make sure it is hooked on the wall. Make sure the left side and bottom of the assembly are flush against the wall and base panel.
  - e. Secure the assembly in place with the thumbscrews (unless you are installing an upper unit).
  - f. Insert the plug into the receptacle on the assembly until it locks into place.
- Note: Icemaker will not run if the plug is not in the receptacle.



**Fig. 3**

- g. Remove the 2 screws securing the thermostat bulb attachment (plastic) to the thermostat extension bracket (stainless). See Fig. 4. Use the 2 screws to attach the "Z" bracket (plastic) to the thermostat extension bracket (stainless).
- h. Use the two 4x10 stainless steel screws in the accessory bag to attach the thermostat bulb attachment (with attached thermostat bulb) to the "Z" bracket.
- i. Remove the 2 screws from the lower part of the thermostat bracket (plastic) and use them to attach the thermostat extension bracket (stainless) to the thermostat bracket (plastic).
- j. Make sure the silicone hose is in place to prevent ice from striking the capillary tube.



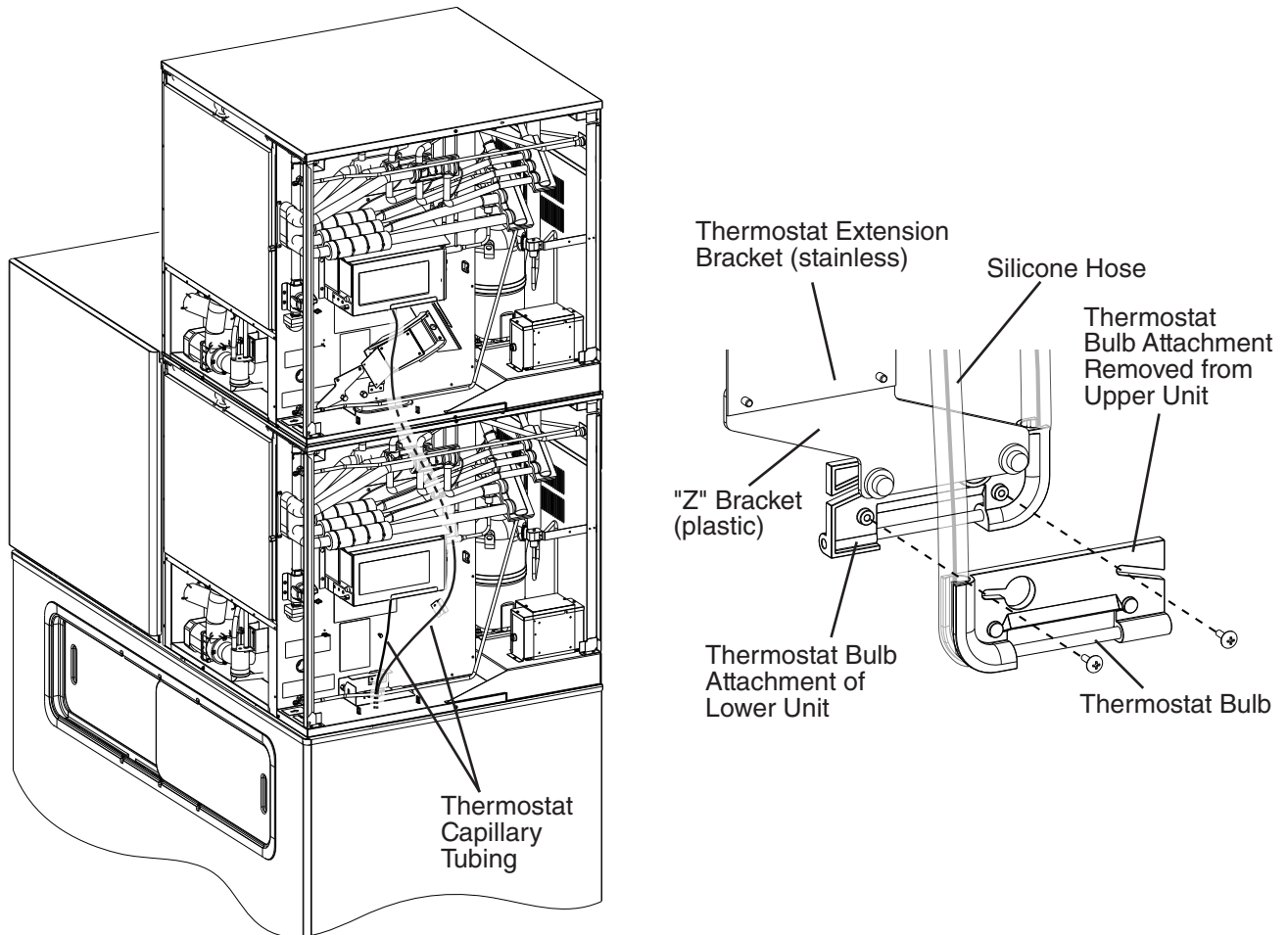
**Fig. 4**



- 7) Install the bin control thermostat as follows:
  - a. Remove the thermostat bulb attachment (plastic) of the upper unit from the thermostat extension bracket (stainless). See Fig. 6.
  - b. Carefully remove the thermostat bulb from the thermostat bulb attachment (plastic) of the upper unit, then remove the silicone hose from the capillary tube.
  - c. Carefully route the thermostat bulb and capillary tubing of the upper unit through the bottom hole of the upper unit. Remove the bushing from the lower bin control thermostat assembly. Route the bulb and tubing through the hole in the assembly and down into the bin. Reattach the bushing.
  - d. Secure the lower bin control thermostat assembly in place with the thumbscrews.
  - e. Slide the silicone hose onto the capillary tube, then carefully insert the thermostat bulb back into the thermostat bulb attachment (plastic).
  - f. Secure the thermostat bulb attachment (plastic) of the upper unit to the thermostat bulb attachment (plastic) of the lower unit with the screws of the upper unit.
  - g. Make sure the silicone hose is in place to prevent ice from striking the capillary tube.
  - h. Insert the plug of the upper unit into the receptacle of the upper unit's bin control thermostat assembly until it locks into place.

Note: Ice maker will not run if the plug is not in the receptacle.

- 8) Replace the panels and baffle in their correct positions.



**Fig. 6**

## F. Electrical Connection

### **⚠ WARNING**

#### **For All Models**

1. Electrical connection must be hard-wired and must meet national, state, and local electrical code requirements. Failure to meet these code requirements could result in death, electric shock, serious injury, fire, or extensive damage to equipment.
2. This unit requires an independent power supply. See the nameplate for proper voltage and breaker/fuse size. Failure to use a proper breaker or fuse can result in a tripped breaker, blown fuses, or damage to existing wiring. This could lead to heat generation or fire.
3. **THIS UNIT MUST BE GROUNDED.** Failure to properly ground this unit could result in death or serious injury.
4. Electrical connection must be made in accordance with the instructions on the "WARNING" tag, provided with the pig tail leads in the junction box. See Fig. 7a and 7b.

#### **Additional Warnings for Remote Air-Cooled Model**

5. **THE REMOTE CONDENSER UNIT MUST BE GROUNDED.** The power supply and ground wire to the remote condenser unit are supplied from the icemaker. See "II.G.6. Electrical Connection."
6. To reduce the risk of electric shock, make all remote condenser unit connections before connecting the icemaker power supply.
7. On remote air-cooled model, the icemaker should have power for a minimum of 4 hours prior to startup to prevent compressor damage.

- Usually an electrical permit and services of a licensed electrician are required.
- The maximum allowable voltage variation is  $\pm 10$  percent of the nameplate rating.
- On single phase models, the white lead must be connected to the neutral conductor of the power source. **CAUTION! Miswiring may result in severe damage to the icemaker.**

**KMH-2000SWH  
KMH-2000SRH**

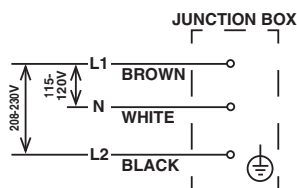
### **⚠ WARNING**

#### **ELECTRICAL CONNECTION**

##### **THIS UNIT MUST BE GROUNDED**

Failure to properly ground or wire this unit could result in death, serious injury, or severe damage to the icemaker. The white lead must be connected to the neutral conductor of the power source. See diagram below.

**208-230/60/1**  
(3 wire with neutral for 115V)



**Fig. 7a**



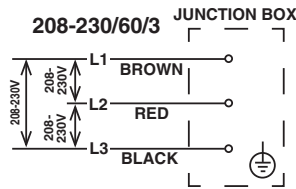
- On three phase models, the transformer's voltage tap switch must be positioned to match incoming voltage at startup.
- **CAUTION! On three phase models, connect the highest incoming voltage supply ("stinger leg") to the red power supply wire (red common wire to the compressor).**
- The opening for the power supply connection is 7/8" DIA to fit a 1/2" trade size conduit.

**KMH-2000SWH3  
KMH-2000SRH3**

**Fig. 7b**

**⚠ WARNING**  
ELECTRICAL CONNECTION

**THIS UNIT MUST BE GROUNDED**  
Failure to properly ground or wire this unit could result in death, serious injury, or severe damage to the icemaker.  
This unit must be connected to a three-phase power source.  
The transformer's voltage tap switch must be positioned to match incoming voltage at startup.  
See diagram below.



## G. Installation of Remote Condenser Unit

### ⚠ WARNING

1. Installation of remote condenser unit must be performed by properly trained and EPA-certified service personnel.
2. Failure to install the equipment within these guidelines may adversely affect safety, performance, component life, and warranty coverage.

### 1. Checks Before Installation

- 1) Remove the shipping carton, tape, and packing material.
- 2) Check that the refrigerant lines do not rub or touch lines or other surfaces, and that the fan blades move freely.

### 2. Location

### ⚠ CAUTION

The remote condenser unit is intended for outdoor use. Normal operating ambient temperature should be within  $-20^{\circ}\text{F}$  to  $+122^{\circ}\text{F}$  ( $-29^{\circ}\text{C}$  to  $+50^{\circ}\text{C}$ ). Operation of the remote condenser unit, for extended periods, outside of this normal temperature range may affect icemaker performance.

The remote condenser unit must be positioned in a permanent site under the following guidelines:

- A firm and flat site.
- A dry and well ventilated area with 24" (61 cm) clearance in both front and rear for proper air circulation and ease of maintenance and/or service should they be required. See Fig. 8.
- The maximum line length for the standard refrigerant charge is 66 feet. With additional refrigerant, the maximum line length is 100 feet. For details, see "II.G.5. Refrigerant Charge (Line Set Exceeding 66 Feet)."
- The maximum vertical distance between the remote condenser unit and the icemaker is 33 feet above or 10 feet below the icemaker. These distances are measured fitting to fitting. See Fig. 9.

Fig. 8

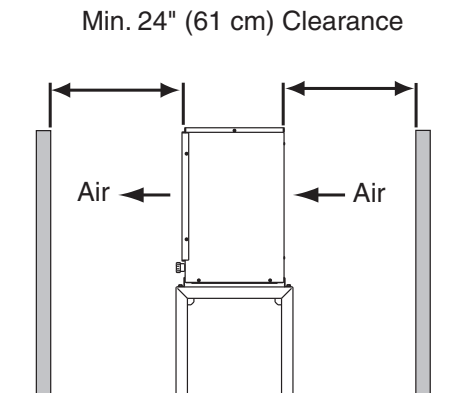
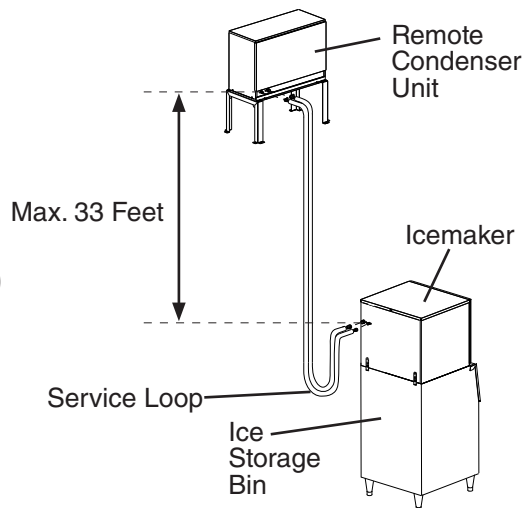


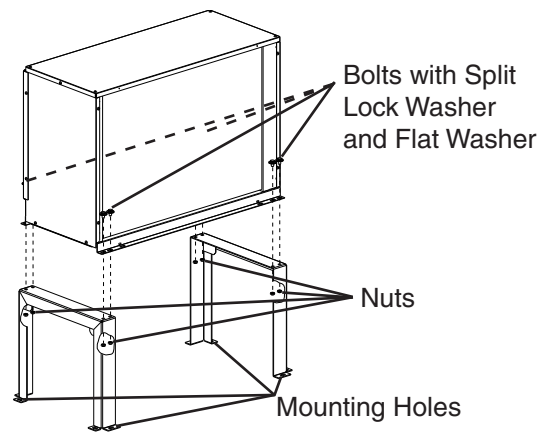
Fig. 9



### 3. Setup

- 1) Secure the legs to the remote condenser unit with the 8 bolts and nuts provided. See Fig. 10.
- 2) The legs have 8 mounting holes. Secure the legs with 8 bolts (not included).

**Fig. 10**



### 4. Line Set

#### **CAUTION**

The icemaker, line set, and remote condenser unit must contain the same type of refrigerant. Mixing of refrigerants will result in improper operation and possible damage to the refrigeration system.

- Precharged factory line sets, available as optional equipment from Hoshizaki America, are recommended. For details, see "II.G.4.a) Factory Line Set Installation." Field fabricated line sets are allowed. For details, see "II.G.4.b) Field Fabricated Line Set Installation."
- The maximum line length for the standard refrigerant charge is 66 feet. With additional refrigerant, the maximum line length is 100 feet. For details, see "II.G.5. Refrigerant Charge (Line Set Exceeding 66 Feet)."

#### **a) Factory Line Set Installation**

- 1) Route the factory line set (5/8" OD discharge line and 3/8" OD liquid line) from the remote condenser unit to the icemaker. Leave a service loop behind the icemaker to allow the icemaker to be pulled out for service. See Fig. 11. Factory fabricated line sets are precharged and do not need to be evacuated. If the line set is too long or too short, see "II.G.4.a)(1) Factory Line Set Modification."

#### **CAUTION**

1. Ensure that there are no traps and no kinks in the line set.
2. Do not coil extra line set.

- 2) Connect the refrigerant lines to the appropriate male fittings on the remote condenser unit first and then at the icemaker. Make a proper connection as follows:
  - a. Remove the protective covers from the male fitting and female coupling.
  - b. Apply Polyol Ester (POE) refrigerant oil or Parker Super O Lube to the entire male fitting, including O-ring, diaphragm, and threads before making the connection. See Fig. 12.

#### **CAUTION**

Do not use thread sealant on the fittings. Use POE refrigerant oil or Parker Super O Lube only.

- c. Make sure the male fitting and female coupling are properly aligned, then start the connection by hand to ensure that it is not cross threaded.
  - d. Tighten the connection with a wrench until it is tight. At this point, the nut has covered most of the threads on the male fitting.
  - e. Mark a reference line on the female coupling and the remote condenser unit or icemaker panel. Using a backup wrench on the back of the female coupling, tighten the six-sided nut of the female coupling an additional 1/6 turn. See Fig. 13.
- 3) If you lengthened the line set as outlined in "II.G.4.a)(1) Factory Line Set Modification" and it exceeds 66 feet, see "II.G.5 Refrigerant Charge (Line Set Exceeding 66 Feet)" for proper charging of the unit.

(1) Factory Line Set Modification

- 1) Recover the line set charge through the Schrader access ports on the Parker quick connect couplings and store it in an approved container. Do not discharge the refrigerant into the atmosphere. Remove the extra line set length or add extra tubing. When adding extra tubing, insulate the additional copper tubes separately. Braze the connections.
- 2) Use an electronic leak detector or soap bubbles to check for leaks. Add a trace of refrigerant to the lines through the Schrader access ports on the Parker quick connect couplings (if using an electronic leak detector), and then raise the pressure using nitrogen gas (140 PSIG). **WARNING! DO NOT use R-404A as a mixture with pressurized air for leak testing.**
- 3) Evacuate through the Schrader access ports on the Parker quick connect couplings and charge with R-404A refrigerant vapor to a pressure of 15 to 30 PSIG. Go to step 2 in "II.G.4.a) Factory Line Set Installation."

**b) Field Fabricated Line Set Installation**

- 1) Route a 5/8" OD copper tube discharge line and a 3/8" OD copper tube liquid line between the remote condenser unit and the icemaker. Leave a service loop behind the icemaker to allow the icemaker to be pulled out for service. See Fig. 11.

**CAUTION**

- 1. Ensure that there are no traps and no kinks in the line set.
- 2. Do not coil extra line set. Fabricate the line set to the proper length.

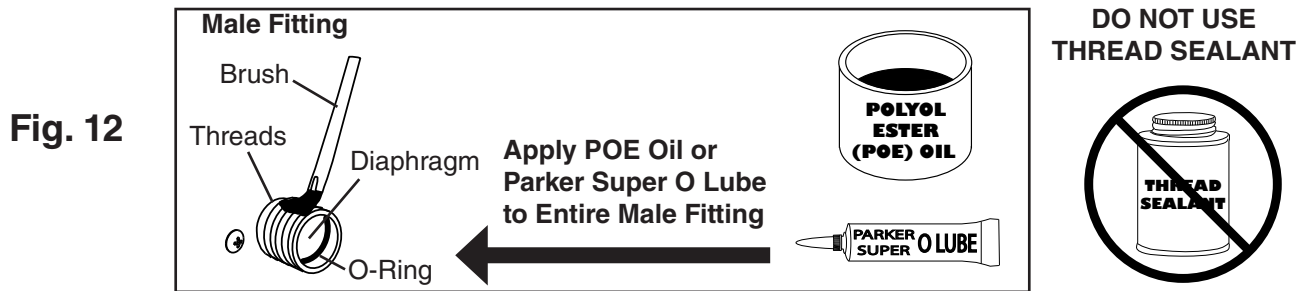
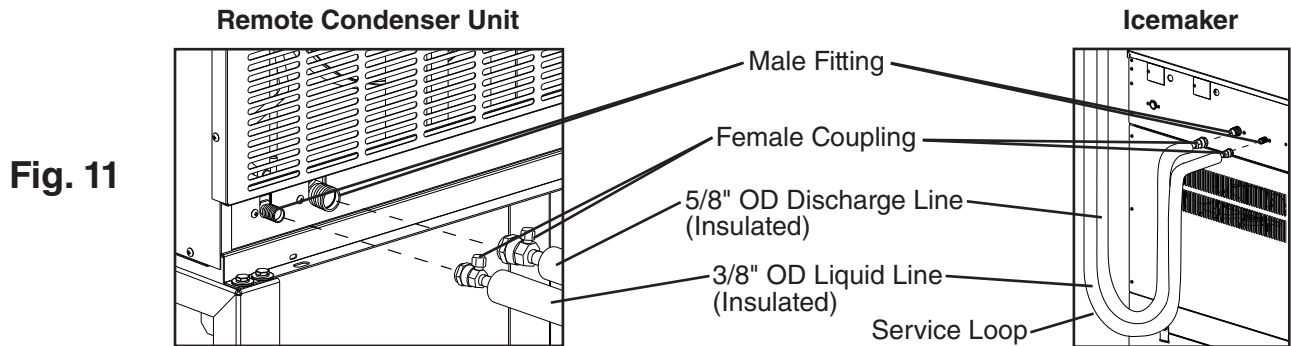
- 2) Insulate the two copper tubes separately.
- 3) Install Parker quick connect couplings on each end. OS-QUICK (HS-2150), a universal quick connect coupling kit available as optional equipment from Hoshizaki America, is recommended. **CAUTION! Before brazing, remove the Schrader valve core from the access port. When brazing, protect the coupling by using a wet cloth to prevent the coupling from overheating.**
- 4) Allow the coupling to cool, then replace the Schrader valve core.
- 5) Use an electronic leak detector or soap bubbles to check for leaks. Add a trace of refrigerant to the lines through the Schrader access ports on the Parker quick connect couplings (if using an electronic leak detector), and then raise the pressure using nitrogen gas (140 PSIG). **WARNING! DO NOT use R-404A as a mixture with pressurized air for leak testing.**

- 6) Evacuate through the Schrader access ports on the Parker quick connect couplings and charge with R-404A refrigerant vapor to a pressure of 15 to 30 PSIG.
- 7) Connect the refrigerant lines to the appropriate male fittings on the remote condenser unit first and then at the icemaker. Make a proper connection as follows:
  - a. Remove the protective covers from the male fitting and female coupling.
  - b. Apply Polyol Ester (POE) refrigerant oil or Parker Super O Lube to the entire male fitting, including O-ring, diaphragm, and threads, before making the connection. See Fig. 12.

**CAUTION**

Do not use thread sealant on the fittings. Use POE refrigerant oil or Parker Super O Lube only.

- c. Make sure the male fitting and female coupling are properly aligned, then start the connection by hand to ensure that it is not cross threaded.
  - d. Tighten the connection with a wrench until it is tight. At this point, the nut has covered most of the threads on the male fitting.
  - e. Mark a reference line on the female coupling and the remote condenser unit or icemaker panel. Using a backup wrench on the back of the female coupling, tighten the six-sided nut of the female coupling an additional 1/6 turn. See Fig. 13.
- 8) If the line set exceeds 66 feet, see "II.G.5 Refrigerant Charge (Line Set Exceeding 66 Feet)" for proper charging of the unit.



## 5. Refrigerant Charge (Line Set Exceeding 66 Feet)

### CAUTION

The icemaker, line set, and remote condenser unit must contain the same type of refrigerant. Mixing of refrigerants will result in improper operation and possible damage to the refrigeration system.

The maximum line length for the standard refrigerant charge is 66 feet. Should an installation require a longer line length, additional refrigerant must be added. Add 0.4 oz. of R-404A for each foot over 66 feet to a maximum of 100 feet. Hoshizaki Technical Support is available at 1-800-233-1940 for recommendations.

After weighing in the additional charge, mark the unit's nameplate to show the new correct total refrigerant charge.

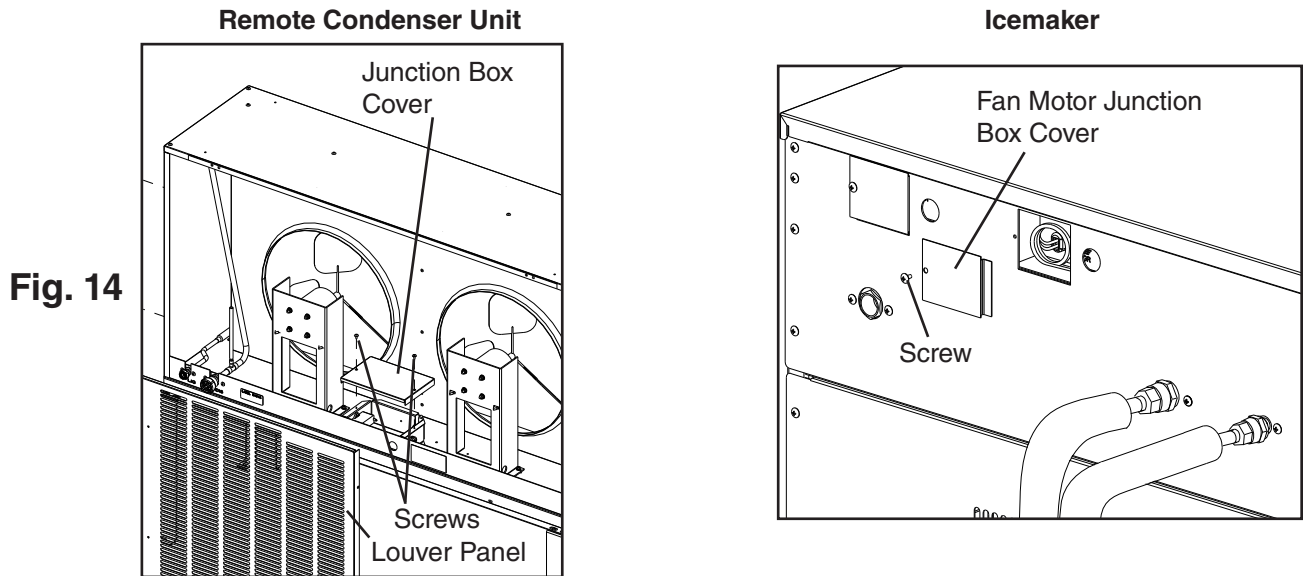
## 6. Electrical Connection

### WARNING

1. Electrical connection must meet national, state, and local electrical code requirements. Failure to meet these code requirements could result in death, electric shock, serious injury, fire, or severe damage to equipment.
2. **THE REMOTE CONDENSER UNIT MUST BE GROUNDED.** Install a proper ground wire from the icemaker to the remote condenser unit. Use wire of an appropriate gage and outdoor rating. Failure to properly ground the unit could result in death or serious injury.
3. The remote condenser unit leads must be connected to the fan motor junction box leads on the icemaker. Use wire of an appropriate gage and outdoor rating.
4. Do not connect the leads to an external power source. Do not connect the icemaker's fan motor junction box leads together. Do not allow the leads to contact the junction box walls.
5. To reduce the risk of electric shock, make all remote condenser unit connections before connecting the icemaker power supply.
6. On remote air-cooled models, the icemaker should have power for a minimum of 4 hours prior to startup to prevent compressor damage.

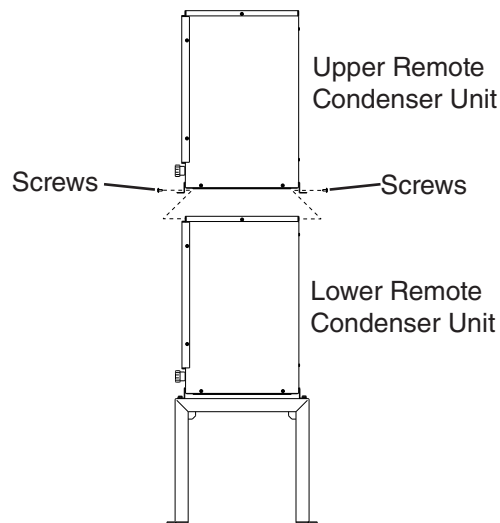
- Usually an electrical permit and services of a licensed electrician are required.
- The opening for the power supply connection is 7/8" DIA to fit a 1/2" trade size conduit.
  - 1) Remove the louver panel. See Fig. 14.
  - 2) Remove the junction box cover on the remote condenser unit. Remove the fan motor junction box cover on the icemaker.
  - 3) Install a ground wire from the icemaker to the remote condenser unit. Use wire of an appropriate gage and outdoor rating.

- 4) Connect the fan motor leads in the junction box of the remote condenser unit to the fan motor leads in the fan motor junction box of the icemaker. Use wire of an appropriate gage and outdoor rating.
- 5) Replace the junction box covers and the louver panel in their correct positions.



## 7. Stacking Remote Condenser Units

- 1) Install the lower remote condenser unit as described earlier in this section.
- 2) Place the upper remote condenser unit on top of the lower. See Fig. 15.
- 3) Secure the upper remote condenser unit to the lower remote condenser unit with the 4 screws provided.
- 4) Install refrigerant lines and make electrical connection as described earlier in this section.



**Fig. 15**

## H. Water Supply and Drain Connections

See Fig. 16, 17, or 18

### WARNING

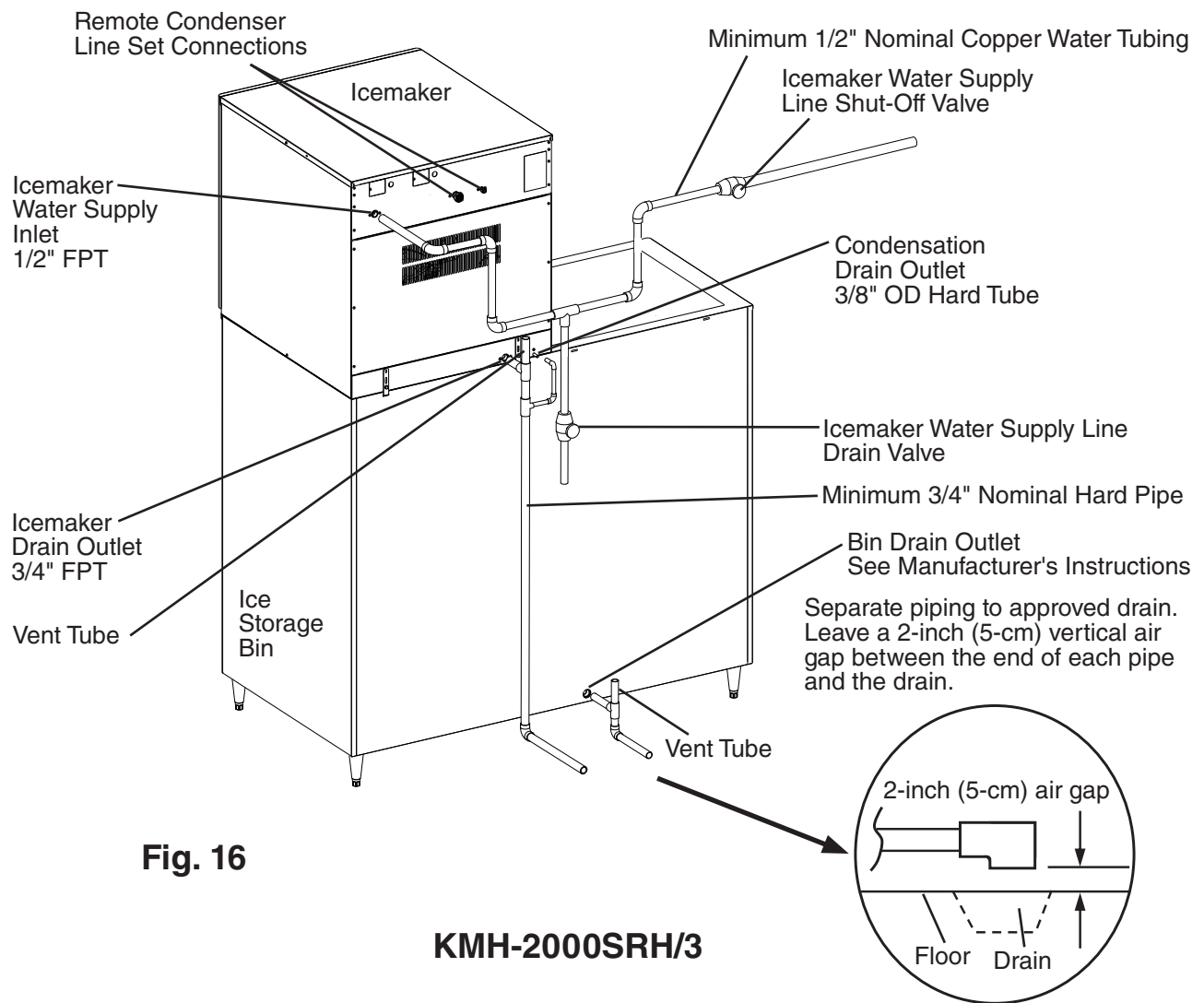
1. Water supply and drain connections must be installed in accordance with applicable national, state, and local regulations.
2. Normal operating water temperature should be within 45°F to 90°F (7°C to 32°C). Operation of the icemaker, for extended periods, outside of this normal temperature range may affect icemaker performance.
3. To prevent damage to equipment, do not operate the icemaker when the water supply is off, or if the pressure is below 10 PSIG. Do not run the icemaker until the proper water pressure is reached.

- A plumbing permit and services of a licensed plumber may be required in some areas.
- External filters, strainers, or softeners may be required depending on water quality. Contact your local Hoshizaki distributor for recommendations.
- Water supply pressure should be a minimum of 10 PSIG and a maximum of 113 PSIG. If the pressure exceeds 113 PSIG, the use of a pressure reducing valve is required.
- The icemaker and condensation drain line(s), storage bin drain line, and water-cooled condenser drain line (if applicable) must be run separately.
- Drain lines must have 1/4" fall per foot (2 cm per 1 m) on horizontal runs to get a good flow. A vented tee connection is also required for proper flow.
- Drain lines should not be piped directly to the sewer system. An air gap of a minimum of 2 vertical inches (5 cm) should be between the end of the drain pipes from the icemaker and condensation drain, storage bin, and water-cooled condenser (if applicable) and the floor drain.



## 1. Icemaker

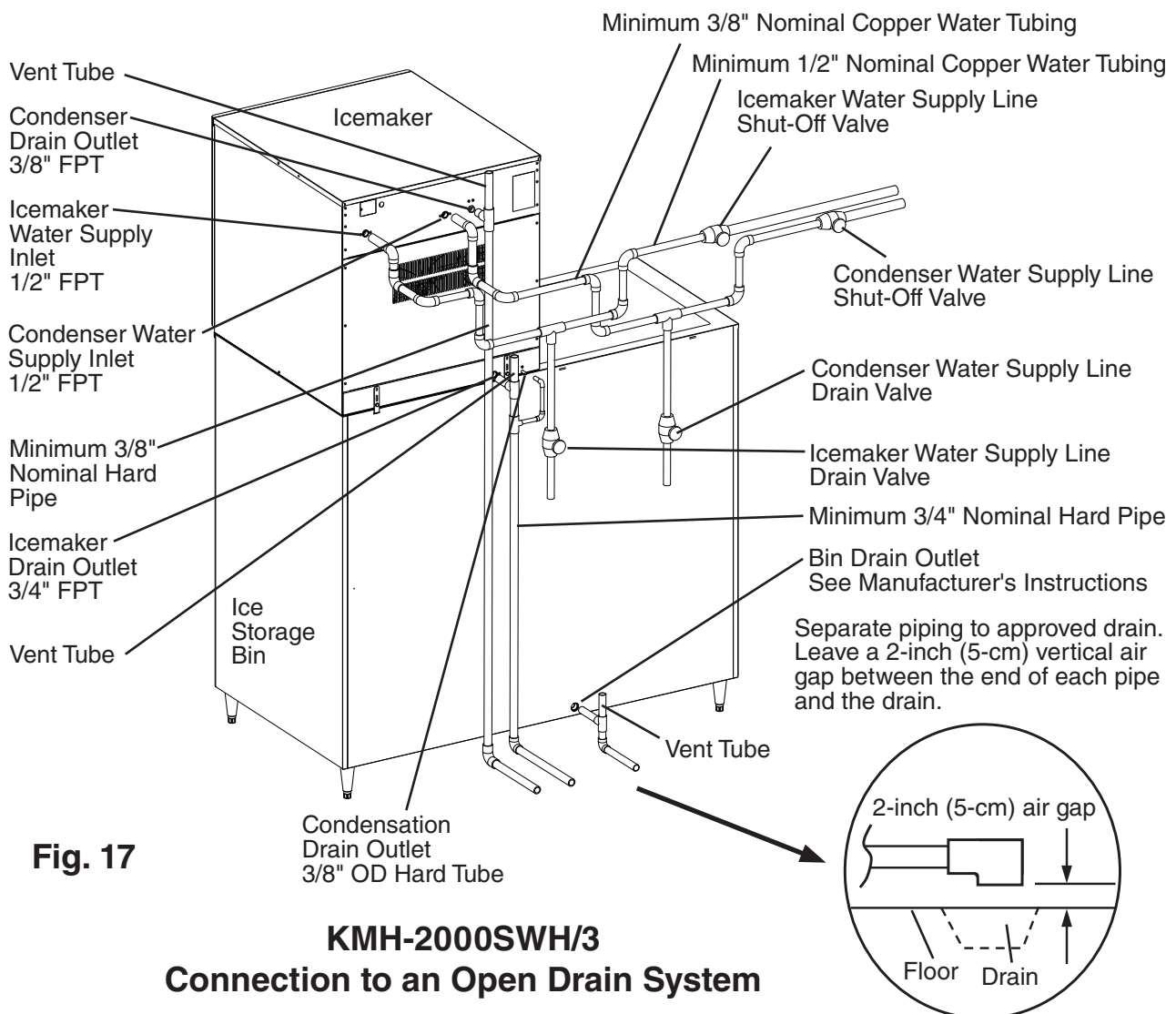
- Icemaker water supply inlet is 1/2" female pipe thread (FPT). A minimum of 1/2" nominal copper water tubing is recommended for the icemaker water supply line.
- An icemaker water supply line shut-off valve and drain valve should be installed.
- Icemaker drain outlet is 3/4" FPT. A minimum of 3/4" nominal hard pipe is recommended for the icemaker drain line. Condensation drain outlet is 3/8" OD hard tube. The condensation drain line can be connected to the icemaker drain line or can be run separately.



## 2. Water-Cooled Condenser

### a) Connection to an Open Drain System

- Condenser water supply inlet is 1/2" female pipe thread (FPT). A minimum of 3/8" nominal copper water tubing is recommended for the condenser water supply line.
- A condenser water supply line shut-off valve and drain valve should be installed.
- Condenser drain outlet is 3/8" FPT. A minimum of 3/8" nominal hard pipe is recommended for the condenser drain line.
- In some areas, a back flow preventer may be required in the cooling water circuit.
- In order to maintain the proper high side pressure, the condenser water supply inlet temperature should not drop below 45°F (7°C) and the condenser drain outlet temperature must be in the 104°F to 115°F (40°C to 46°C) range. Once the icemaker installation is complete, confirm the condenser drain outlet temperature 5 minutes after a freeze cycle starts. If the condenser drain outlet temperature is not in the proper range, use a flat blade screwdriver to rotate the adjustment screw on the water-regulating valve until the temperature is in the proper range (rotate counterclockwise to raise temperature or clockwise to lower temperature).





## I. Final Checklist

### WARNING

**CHOKING HAZARD:** Ensure all components, fasteners, and thumbscrews are securely in place after installation. Make sure that none have fallen into the storage bin.

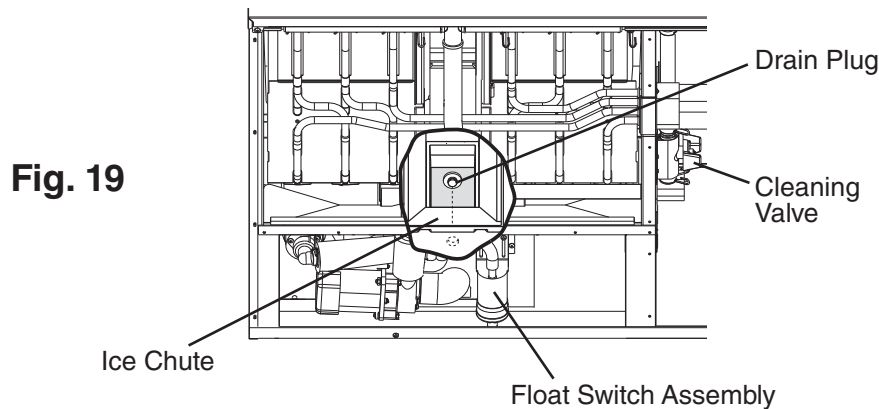
- 1) Is the icemaker level?
- 2) Is the icemaker in a site where the ambient temperature is within 45°F to 100°F (7°C to 38°C) and the water temperature within 45°F to 90° (7°C to 32°C) all year around?
- 3) Is there at least 6" (15 cm) clearance at exposed side(s), rear, and top of the icemaker for proper air circulation and ease of maintenance and service?
- 4) Have the shipping carton, tape, and packing material been removed from the icemaker? Are the cube guides in their correct positions? Are the separators between the evaporator banks properly attached to their holding clips?
- 5) Are all components, fasteners, and thumbscrews securely in place?
- 6) Have all electrical and water connections been made? Do electrical and water connections meet all national, state, and local code and regulation requirements?
- 7) Has the power supply voltage been checked or tested against the nameplate rating? Has a proper ground been installed to the icemaker? On three phase model, has the transformer's voltage tap switch been positioned to match incoming voltage? On remote air-cooled model, has a proper ground also been installed to the remote condenser unit?
- 8) Are the water supply line shut-off valve(s) and drain valve(s) installed? Has the water supply pressure been checked to ensure a minimum of 10 PSIG and a maximum of 113 PSIG?  
Note: The icemaker may stop running when the water supply is off, or if the pressure is below 10 PSIG. When the proper water pressure is reached, the icemaker automatically starts running again.
- 9) Are the compressor hold-down bolts snug? Have the refrigerant lines been checked to make sure they do not rub or touch other lines or surfaces? Have the fan blades (if applicable) been checked to make sure they turn freely?
- 10) On remote air-cooled model, is the refrigerant line set tightened and free of leaks and kinks?
- 11) On remote air-cooled model, has the icemaker power supply been on for a minimum of 4 hours?
- 12) Has the end user been given the instruction manual, and instructed on how to operate the icemaker and the importance of the recommended periodic maintenance?
- 13) Has the end user been given the name and telephone number of an authorized service agent?
- 14) Has the warranty card been filled out and forwarded to the factory for warranty registration?

## J. Startup

### **⚠ WARNING**

1. All parts are factory-adjusted. Improper adjustments may adversely affect safety, performance, component life, and warranty coverage.
2. If the icemaker is turned off, wait for at least 3 minutes before restarting the icemaker to prevent damage to the compressor.
3. To prevent damage to the water pump, do not leave the control switch in the "WASH" position for extended periods of time when the water tank is empty.
4. On remote air-cooled model, the icemaker should have power for a minimum of 4 hours prior to startup to prevent compressor damage.
5. At startup, confirm that all internal and external connections are free of leaks.

- 1) Open the water supply line shut-off valves.
- 2) Remove the front panel.
- 3) Move the control switch on the control box to the "ICE" position.
- 4) Replace the front panel in its correct position.
- 5) Turn on the power supply, and allow the icemaker to operate for a total of 10 minutes.
- 6) Turn off the power supply, then remove the front panel.
- 7) Remove the insulation panel. Remove the drain plug located on the lower front part of the ice chute. Allow the water tank to drain. See Fig. 19.
- 8) Replace the drain plug, insulation panel, and front panel in their correct positions. Be careful not to cross thread the drain plug.
- 9) Clean the storage bin liner according to the storage bin manufacturer's instructions. Rinse thoroughly after cleaning.
- 10) Turn on the power supply to start the automatic icemaking process.
- 11) When the icemaker is running, hold an ice cube in contact with the bulb. The icemaker should stop within 3 to 10 seconds. Adjustment may be needed, particularly at higher altitude locations.
- 12) On water-cooled model, confirm proper condenser drain outlet/return outlet temperature as outlined in "II.H.2. Water-Cooled Condenser."



### III. Maintenance

The appliance must be maintained in accordance with the instruction manual and labels provided. Consult with your local Hoshizaki Certified Service Representative about maintenance service.

#### ⚠ WARNING

- Only qualified service technicians should service the appliance.
- To reduce the risk of electric shock, do not touch the control switch with damp hands.
- Move the control switch to the "OFF" position and turn off the power supply before servicing. Lockout/Tagout to prevent the power supply from being turned back on inadvertently.
- **CHOKING HAZARD:** Ensure all components, fasteners, and thumbscrews are securely in place after any maintenance is done to the appliance. Make sure that none have fallen into the dispenser unit/ice storage bin.

### A. Maintenance Schedule

The maintenance schedule below is a guideline. More frequent maintenance may be required depending on water quality, the appliance's environment, and local sanitation regulations.

Maintenance Schedule		
Frequency	Area	Task
Daily	Scoop	Clean the ice scoop using a neutral cleaner. Rinse thoroughly after cleaning.
Monthly	External Water Filters	Check for proper pressure and change if necessary.
	Icemaker Exterior	Wipe down with a clean, soft cloth. Use a damp cloth containing a neutral cleaner to wipe off oil or dirt build up. Clean any chlorine staining (rust colored spots) using a non-abrasive cleanser.
	Underside of Icemaker and Top Kits; Bin Door and Snout	Wipe down with a clean cloth and warm water.
Yearly	Icemaker and Dispenser Unit/Ice Storage Bin	Clean and sanitize per the cleaning and sanitizing instructions provided in this manual. See "III.B. Cleaning and Sanitizing Instructions."
	Water Supply Inlet	Close the icemaker water supply line shut-off valve and drain the water system. Clean the water supply inlet screen.
	Condenser	Inspect. Clean if necessary by using a brush or vacuum cleaner. More frequent cleaning may be required depending on location.
	Water Hoses	Inspect the water hoses and clean/replace if necessary.

## B. Cleaning and Sanitizing Instructions

The icemaker must be cleaned and sanitized at least once a year. More frequent cleaning and sanitizing may be required in some water conditions.

### **⚠ WARNING**

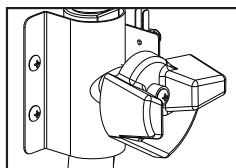
- To prevent injury to individuals and damage to the icemaker, do not use ammonia type cleaners.
- Carefully follow any instructions provided with the bottles of cleaning and sanitizing solution.
- Always wear liquid-proof gloves and goggles to prevent the cleaning and sanitizing solutions from coming into contact with skin or eyes.
- Do not leave the icemaker unattended when panels are off.

### **NOTICE**

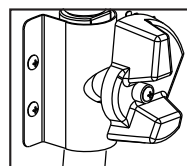
To prevent damage to the water pump seal, do not leave the control switch in the "WASH" position for extended periods when the water tank is empty.

### **IMPORTANT**

- The cleaning valve is opened during cleaning and sanitizing to allow solution flow to the inside of the evaporator. It should be closed for all icemaking operation. The compressor will not operate unless this valve is completely closed.
- To close the cleaning valve, the valve handle should be at a right angle to the valve body. To open the cleaning valve, the valve handle should be parallel to the valve body.



**CLOSED**  
Icemaking Operation



**OPEN**  
Cleaning and Sanitizing Operation  
(allows solution flow to the inside of the evaporator)

### **Preparation**

- 1) Remove the front panel, then move the control switch to the "OFF" position.  
After 3 min., move the control switch to the "ICE" position, then replace the front panel.
- 2) After 3 min., remove the front panel, then move the control switch to the "OFF" position.
- 3) Remove all ice from the dispenser unit/ice storage bin. **WARNING! If on a dispenser unit, turn off the dispenser unit power supply after dispensing the ice.**

## Cleaning

- 4) Remove the front insulation panel, then remove the drain plug See Fig. 19. After the water tank has drained, replace the drain plug and front insulation panel.  
**NOTICE! Be careful not to cross thread the drain plug.**
- 5) To fill the water tank, move the control switch to the "ICE" position, then replace the front panel. After 3 min., remove the front panel, then move the control switch to the "OFF" position.
- 6) Remove the front insulation panel, then pour 43 fl. oz. (1,272 ml) of Hoshizaki "Scale Away" into the water tank. Replace the front insulation panel. Turn the cleaning valve to the left until completely vertical (open).
- 7) **NOTICE! To avoid excessive foaming, wait 1 min. before proceeding.**  
After 1 min., move the control switch to the "WASH" position, then replace the front panel.
- 8) After 30 min., remove the front panel, then move the control switch to the "OFF" position.
- 9) Remove the front insulation panel, then remove the drain plug. After the water tank has drained, replace the drain plug and front insulation panel.
- 10) In bad or severe water conditions, turn off the power supply, then remove, clean (cleaning solution = 5 oz. Hoshizaki "Scale Away" per gallon of warm water), rinse, and replace the cube guide, float switch, water supply tubes, spray tubes, and spray guides; turn on the power supply when complete. Otherwise, continue to step 11.

## Cleaning Rinse

- 11) Turn the cleaning valve to the right until completely horizontal (closed). Move the control switch to the "ICE" position, then replace the front panel. After 3 min., remove the front panel, then move the control switch to the "OFF" position. Note: The icemaker will not operate unless the cleaning valve is completely closed.
- 12) Turn the cleaning valve to the left until completely vertical (open). Move the control switch to the "WASH" position, then replace the front panel. After 5 min., remove the front panel, then move the control switch to the "OFF" position.
- 13) Remove the front insulation panel, then remove the drain plug. After the water tank has drained, replace the drain plug and front insulation panel.

## Sanitizing

- 14) To fill the water tank, turn the cleaning valve to the right until completely horizontal (closed). Move the control switch to the "ICE" position, then replace the front panel. After 3 min., remove the front panel, then move the control switch to the "OFF" position.
- 15) Remove the front insulation panel, then pour 5 fl. oz. (148 ml) of an 8.25% sodium hypochlorite solution (chlorine bleach) into the water tank. Replace the front insulation panel. Turn the cleaning valve to the left until completely vertical (open). **IMPORTANT! Use regular bleach with no additives. Using a bleach with additives causes excessive foaming during sanitizing, reducing the effectiveness of sanitizing.**



- 16) **NOTICE! To avoid excessive foaming, wait 1 min. before proceeding.**  
After 1 min., move the control switch to the "WASH" position, then replace the front panel.
- 17) After 45 min., remove the front panel, then move the control switch to the "OFF" position.
- 18) Remove the front insulation panel, then remove the drain plug. After the water tank has drained, replace the drain plug and front insulation panel.

### **Sanitizing Rinse 1**

- 19) Turn the cleaning valve to the right until completely horizontal (closed). Move the control switch to the "ICE" position, then replace the front panel. After 3 min., remove the front panel, then move the control switch to the "OFF" position.
- 20) Turn the cleaning valve to the left until completely vertical (open). Move the control switch to the "WASH" position, then replace the front panel. After 5 min., remove the front panel, then move the control switch to the "OFF" position.
- 21) Remove the front insulation panel, then remove the drain plug. After the water tank has drained, replace the drain plug and front insulation panel.

### **Sanitizing Rinse 2**

- 22) Turn the cleaning valve to the right until completely horizontal (closed). Move the control switch to the "ICE" position, then replace the front panel. After 3 min., remove the front panel, then move the control switch to the "OFF" position.
- 23) Turn the cleaning valve to the left until completely vertical (open). Move the control switch to the "WASH" position, then replace the front panel. After 5 min., remove the front panel, then move the control switch to the "OFF" position.
- 24) Remove the front insulation panel, then remove the drain plug. After the water tank has drained, replace the drain plug and front insulation panel.

### **Sanitizing Rinse 3**

- 25) Turn the cleaning valve to the right until completely horizontal (closed). Move the control switch to the "ICE" position, then replace the front panel. After 3 min., remove the front panel, then move the control switch to the "OFF" position.
- 26) Turn the cleaning valve to the left until completely vertical (open). Move the control switch to the "WASH" position, then replace the front panel. After 5 min., remove the front panel, then move the control switch to the "OFF" position.
- 27) Remove the front insulation panel, then remove the drain plug. After the water tank has drained, replace the drain plug and front insulation panel.
- 28) Clean the dispenser unit/ice storage bin liner using a neutral cleaner. Rinse thoroughly after cleaning.
- 29) Turn the cleaning valve to the right until completely horizontal (closed), then move the control switch to the "ICE" position. Note: If on a dispenser unit, turn on the dispenser unit power supply.
- 30) Replace all panels in their correct positions.

---

## IV. Preparing the Icemaker for Periods of Non-Use

<b>NOTICE</b>
<ul style="list-style-type: none"><li>• When storing the icemaker for an extended time or in sub-freezing temperatures, follow the instructions below to prevent damage.</li><li>• To prevent damage to the water pump seal, do not leave the control switch in the "WASH" position for extended periods when the water tank is empty.</li></ul>



When the icemaker is not used for two or three days under normal conditions, it is sufficient to move the control switch to the "OFF" position. When storing the icemaker for an extended time or in sub-freezing temperatures, follow the instructions below.

### 1. Remove the water from the icemaker water supply line:

- 1) Turn off the power supply, then remove the front panel.
- 2) Move the control switch to the "OFF" position.
- 3) Close the icemaker water supply line shut-off valve, then open the icemaker water supply line drain valve.
- 4) Allow the line to drain by gravity.
- 5) Attach a compressed air or carbon dioxide supply to the icemaker water supply line drain valve.
- 6) Move the control switch to the "ICE" position.
- 7) Replace the front panel in its correct position, then turn on the power supply.
- 8) Blow the icemaker water supply line out using the compressed air or carbon dioxide supply.
- 9) Close the icemaker water supply line drain valve.

### 2. Drain the water tank:

- 1) Turn off the power supply, then remove the front panel.
- 2) Move the control switch to the "OFF" position.
- 3) Remove the insulation panel. Remove the drain plug located on the lower front part of the ice chute. See Fig. 19. Allow the water tank to drain.
- 4) Replace the drain plug and the insulation panel in their correct positions. Be careful not to cross thread the drain plug.
- 5) Remove all ice from the dispenser unit/ice storage bin. Clean the dispenser unit/ice storage bin liner using a neutral cleaner. Rinse thoroughly after cleaning.
- 6) Replace the front panel in its correct position.

**3. On water-cooled model only, first remove the water from the water-cooled condenser:**

- 1) Make sure the power supply is off, then remove the front, top, and right side panels.
- 2) Close the condenser water supply line shut-off valve. If connected to a closed loop system, also close the condenser return line shut-off valve.
- 3) Open the condenser water supply line drain valve. If connected to a closed loop system, also open the condenser return line drain valve.
- 4) Attach a compressed air or carbon dioxide supply to the condenser water supply line drain valve.
- 5) Open the water regulating valve by using a screwdriver to pry up on the spring retainer underneath the spring. While holding the valve open, blow out the condenser using the compressed air or carbon dioxide supply until water stops coming out.
- 6) Close the drain valve(s).
- 7) Replace the right side panel, top panel, and front panel in their correct positions.

---

## **V. Disposal**

The appliance contains refrigerant and must be disposed of in accordance with applicable national, state, and local codes and regulations. Refrigerant must be recovered by properly certified service personnel.

**HOSHIZAKI AMERICA, INC.**

---

618 Hwy. 74 S., Peachtree City, GA 30269 USA | TEL (770) 487-2331 | FAX (770) 487-3360 | [www.hoshizaki.com](http://www.hoshizaki.com) | 1A3578-010