

Hoshizaki America, Inc.

Stackable Cresent Cuber

Models

KMH-2000SWH/3

KMH-2000SRH/3



“A Superior Degree
of Reliability”

www.hoshizaki.com

PARTS LIST



Number: 71316
Issued: 5-3-2011
Revised: 2-5-2016

CONTENTS

Auxiliary Codes.....	3
Note About Ordering Parts	3
A. Main Assembly & Refrigeration Circuit	4
KMH-2000SWH/3.....	4
KMH-2000SRH/3	7
B. Water Circuit	10
C. Control Box Assembly	13
D. Accesories & Labels	14

Auxiliary Codes

KMH-2000SWH

V-0 January 2010
V-1 November 2010
A-0 February 2011
C-0 July 2013
E-1 October 2015

KMH-2000SRH

V-0 April 2010
A-0 April 2011
A-1 September 2011
B-0 September 2012
C-0 May 2013
D-0 January 2014
E-1 November 2015
F-0 January 2016

KMH-2000SWH3

V-0 January 2010
V-1 December 2010
A-0 January 2011
B-0 April 2012
C-0 July 2013
D-1 March 2014
E-0 February 2015
E-1 October 2015
F-0 February 2016

KMH-2000SRH3

V-0 April 2010
A-0 January 2011
A-1 September 2011
B-0 March 2012
C-0 April 2013
D-0 January 2014
E-0 January 2015
E-1 October 2015
F-0 February 2016

Auxiliary Code Breakdown

The auxiliary code is the first two characters in the serial number. The first character indicates the year. Years progress or regress in alphabetical order. The series runs from "A" through "V" and the letters "I" and "O" are skipped. The second character indicates significant part changes within a year. Base is "0" and this number advances for each change. In cases where there is a letter in parentheses, this designates the month. This is the last character in the serial number. The series runs from "(A)" through "(M)" and the letter "(I)" is skipped. This designation is only included when identifying a parts change within an auxiliary code.

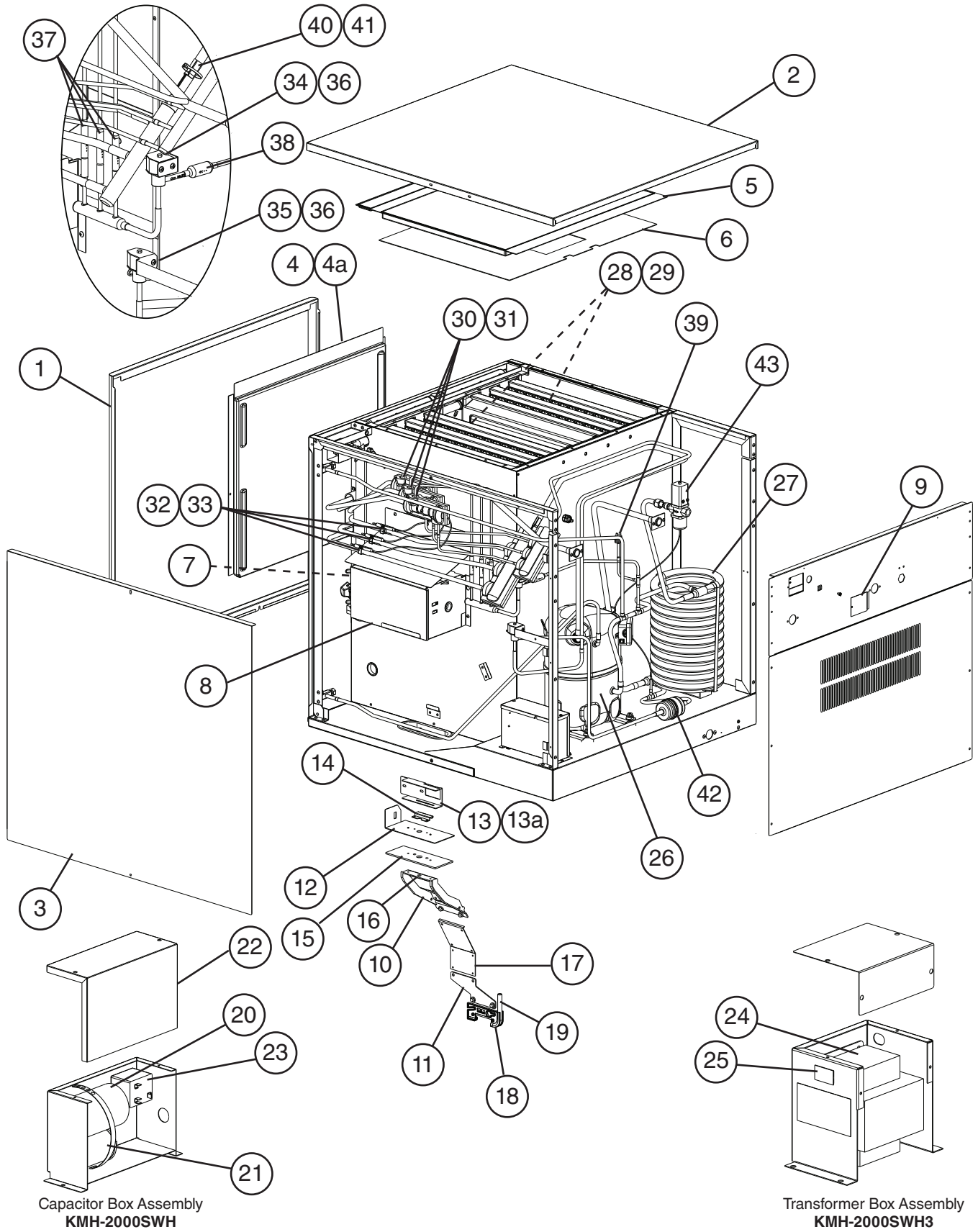
Note About Ordering Parts

Most assemblies cannot be ordered as complete units; parts in the assemblies generally must be ordered separately.

A. Main Assembly & Refrigeration Circuit

KMH-2000SWH/3

V-0 to F-0



Title: A. Main Assembly & Refrigeration Circuit Model: KMH-2000SWH/3													
Index No.	Description	Material or Model Number	Part Number	Required Number									
				V-0 to A-0	A-1 to D-0	D-1 to F-0							
Main Assembly													
1	Front Panel		2A5369-01	1	1	1							
2	Top Panel		2A5368-01	1	1	1							
3	Right Side Panel		2A5360G01	1	1	1							
4	Front Insulation		326041G01	1	1	1							
4a	Thumbscrew		415949G12	1	1	1							
5	Top Insulation		324216G01	1	1	1							
6	Spacer		324321-01	1	1	1							
7	Control Box Cover A		3A5625-01	1	1	1							
8	Control Box Cover B		3A5626-01	1	1	1							
9	Junction Box Cover		433410-01	1	1	1							
10	Bin Control Bulb Holder C		216340G01	1	1	1							
11	Bin Control Bulb Holder C	Z Bracket	325845G01	1	1	1							
12	Bin Control Bulb Holder E		439725-01	1	1	1							
13	Bin Control Bulb Holder F		328743-01	1	1	1							
13a	Thumbscrew		415949G12	2	2	2							
14	Bin Control Bulb Holder G		439726-01	1	1	1							
15	Spacer		439727-01	1	1	1							
16	Capillary Ring		425307-01	1	1	1							
17	Thermostat Extension Bracket		3A0408-01	1	1	1							
18	Bulb Holder		3A3903-01	1	1	1							
19	Silicone Hose	L=285 mm	773013812	1	1	1							
20	Start Capacitor	KMH-2000SWH 189-227MFD, 330VAC	3A0076-12	1	1	1							
21	Run Capacitor	KMH-2000SWH 35MFD, 440VAC	3A2005-12	1	1	1							
22	Capacitor Box Cover	KMH-2000SWH	326125-01	1	1	1							
23	Start Relay	KMH-2000SWH	4A1107-09	1	1	1							
24	Transformer	KMH-2000SWH3	4A0817-01	1	1	1							
25	Voltage Tap Switch	KMH-2000SWH3	4A1477-01	1	1	1							
Refrigeration Circuit													
26	Compressor	KMH-2000SWH	4A4581-02	1	-								
			4A4581-01		1	1							
		KMH-2000SWH3	4A4582-02	1	-								
			4A4582-01		1	1							
27	Condenser	HS-0164	2A2359G05	1	1	-							
			3A7324-01			1							
28	Evaporator Bank (each bank includes 3 plates)	HS-008	2A0416G01	2	2	2							
29	Separator Hook		324152-01	8	8	8							
30	Thermostatic Expansion Valve		4A1414-01	3	3	3							
31	Thermostatic Expansion Valve Cover		3A0944-01	3	3	3							
32	Thermostatic Expansion Valve Bulb Holder		3A0107-01	3	3	3							
33	Clamp		443461-02	3	3	3							

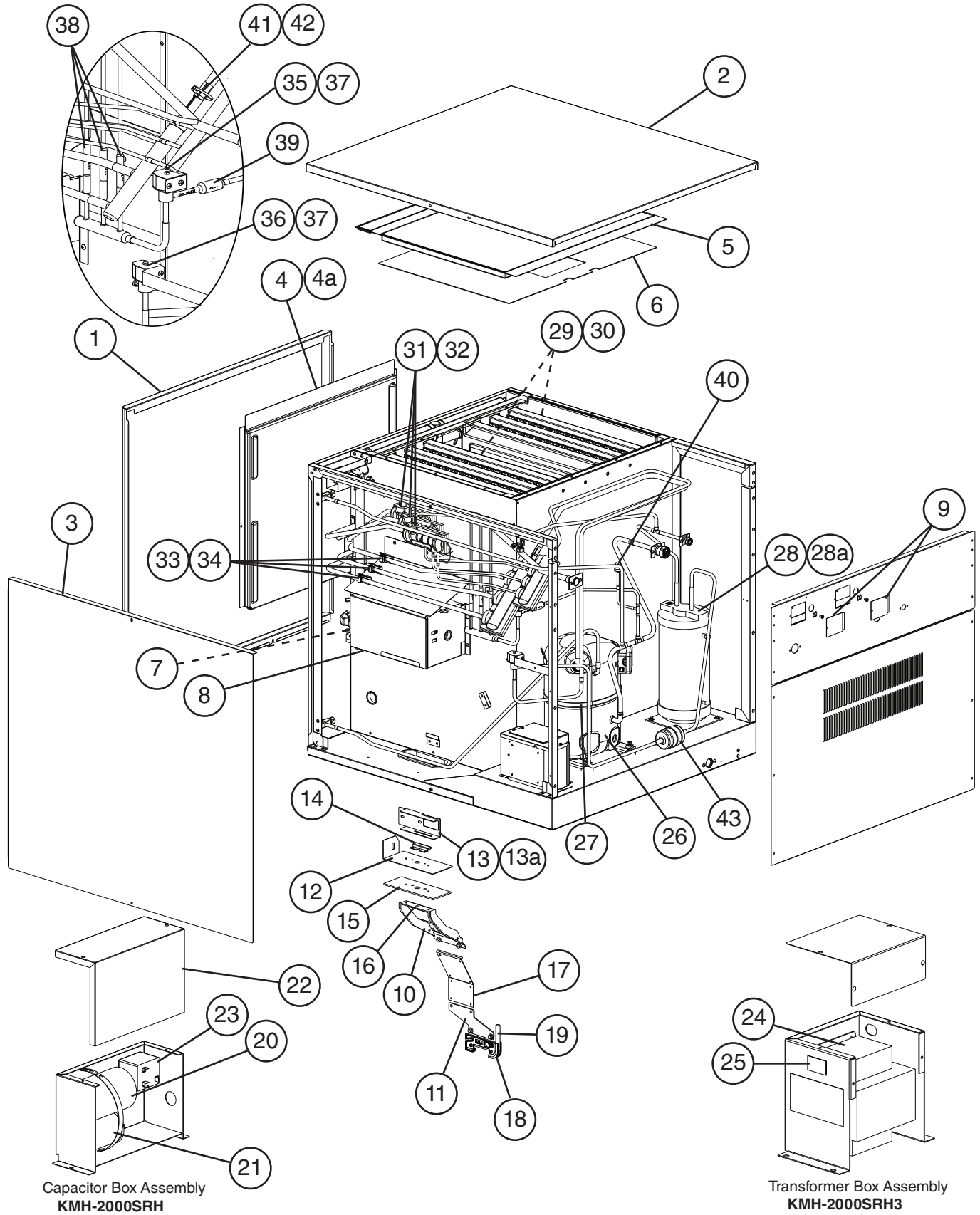
Title: A. Main Assembly & Refrigeration Circuit Model: KMH-2000SWH/3

Index No.	Description	Material or Model Number	Part Number	Required Number									
				V-0 to A-0	A-1 to D-0	D-1 to F-0							
34	Hot Gas Valve Body		4A3978-01	1	1	1							
35	Liquid Line Valve Body		4A3276-01	1	1	1							
36	Valve Coil		4A3277-01	2	2	2							
37	Check Valve		4A1373-01	3	3	3							
38	Strainer		441569-02	1	1	1							
39	High-Pressure Switch		463180-05	1	1	1							
40	Thermistor		429006-03	1	1	1							
41	Thermistor Holder		438247-01	1	1	1							
42	Drier		4A2663-01	1	1	1							
43	Water Regulating Valve		4A0911-07	1	1	1							

A. Main Assembly & Refrigeration Circuit

KMH-2000SRH/3

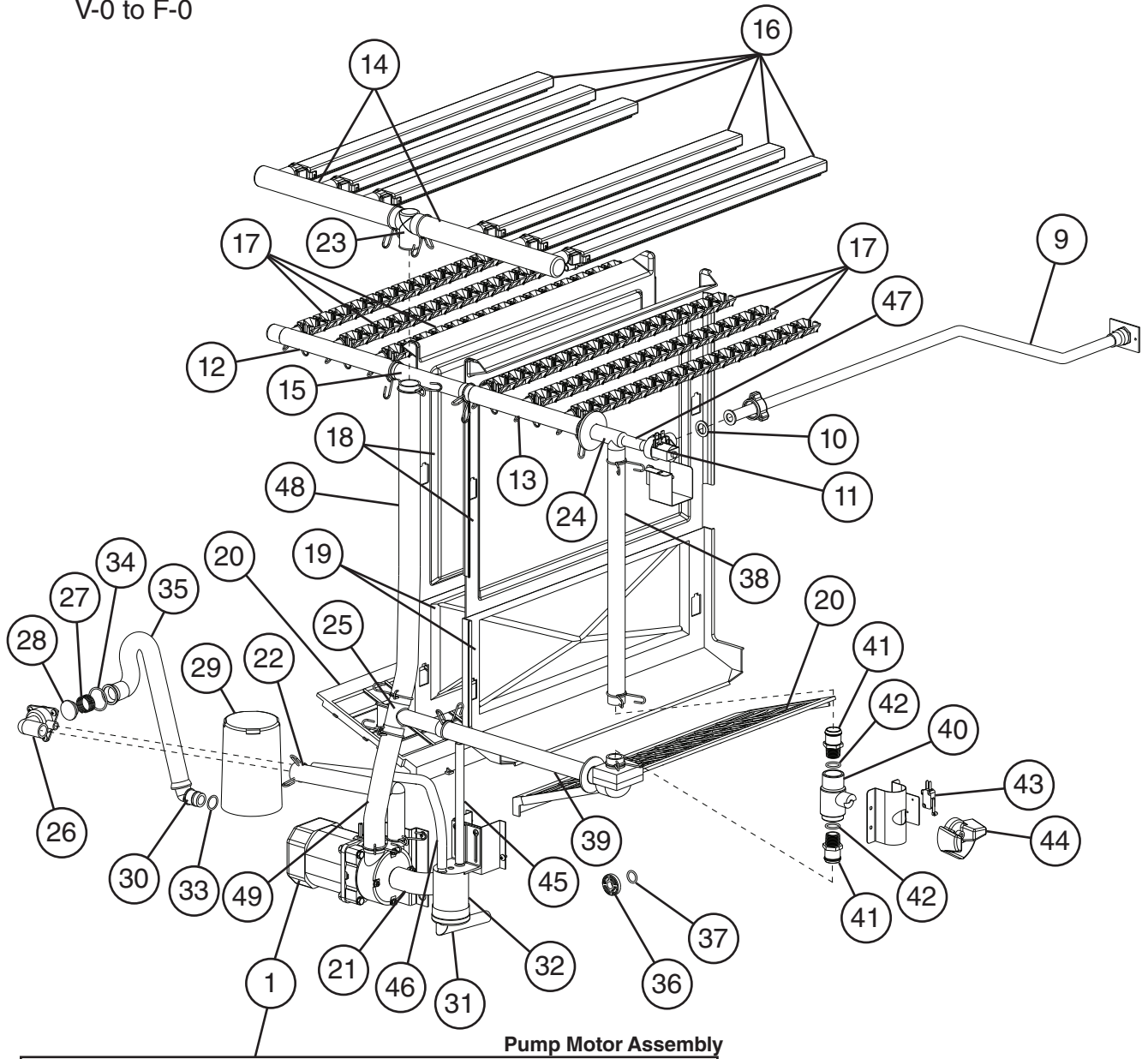
V-0 to F-0



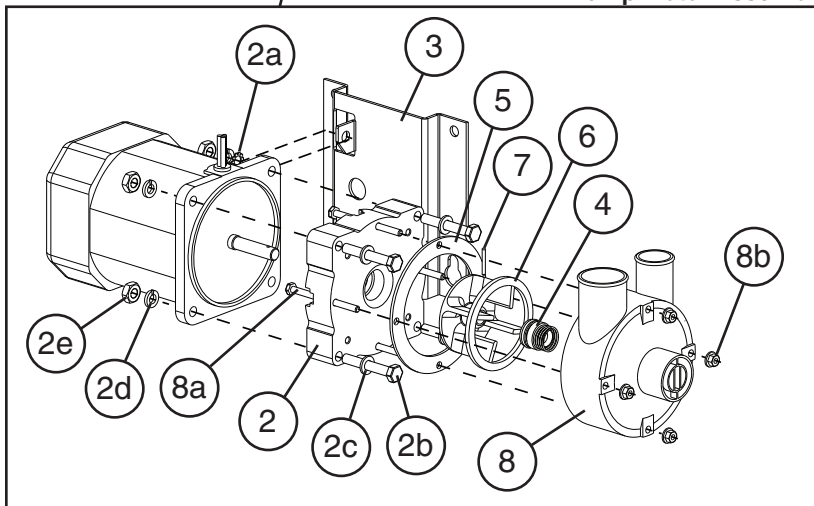
Title: A. Main Assembly & Refrigeration Circuit Model: KMH-2000SRH/3											
Index No.	Description	Material or Model Number	Part Number	Required Number							
				V-0 to A-0	A-1 to F-0						
Main Assembly											
1	Front Panel		2A5369-01	1	1						
2	Top Panel		2A5368-01	1	1						
3	Right Side Panel		2A5360G01	1	1						
4	Front Insulation		326041G01	1	1						
4a	Thumbscrew		415949G12	1	1						
5	Top Insulation		324216G01	1	1						
6	Spacer		324321-01	1	1						
7	Contol Box Cover A		3A5625-01	1	1						
8	Contol Box Cover B		3A5626-01	1	1						
9	Junction Box Cover		433410-01	2	2						
10	Bin Control Bulb Holder C		216340G01	1	1						
11	Bin Control Bulb Holder C	Z Bracket	325845G01	1	1						
12	Bin Control Bulb Holder E		439725-01	1	1						
13	Bin Control Bulb Holder F		328743-01	1	1						
13a	Thumbscrew		415949G12	2	2						
14	Bin Control Bulb Holder G		439726-01	1	1						
15	Spacer		439727-01	1	1						
16	Capillary Ring		425307-01	1	1						
17	Thermostat Extension Bracket		3A0408-01	1	1						
18	Bulb Holder		3A3903-01	1	1						
19	Silicone Hose	L=285 mm	7730I3812	1	1						
20	Start Capacitor	KMH-2000SRH 189-227MFD, 330VAC	3A0076-12	1	1						
21	Run Capacitor	KMH-2000SRH 35MFD, 440VAC	3A2005-12	1	1						
22	Capacitor Box Cover		326125-01	1	1						
23	Start Relay	KMH-2000SRH	4A1107-09	1	1						
24	Transformer	KMH-2000SRH3	4A0817-01	1	1						
25	Voltage Tap Switch	KMH-2000SRH3	4A1477-01	1	1						
Refrigeration Circuit											
26	Compressor (Note: Aux. Code A-1 and later utilize external crankcase heater item 27)	KMH-2000SRH	4A4581-02	1	-						
			4A4581-01		1						
			KMH-2000SRH3	4A4582-02	1	-					
				4A4582-01		1					
27	Crankcase Heater		434186-01		1						
28	Receiver		438209-01	1	1						
28a	Hex Head Bolt w/Washer	5x10	7B0130510	3	3						
29	Evaporator Bank (each bank includes 3 plates)	HS-008	2A0416G01	2	2						
30	Separator Hook		324152-01	8	8						
31	Thermostatic Expansion Valve		4A1414-01	3	3						
32	Thermostatic Expansion Valve Cover		3A0944-01	3	3						
33	Thermostatic Expansion Valve Bulb Holder		3A0107-01	3	3						

Title: A. Main Assembly & Refrigeration Circuit Model: KMH-2000SRH/3											
Index No.	Description	Material or Model Number	Part Number	Required Number							
				V-0 to A-0	A-1 to F-0						
34	Clamp		443461-02	3	3						
35	Hot Gas Valve Body		4A3978-01	1	1						
36	Liquid Line Valve Body		4A3276-01	1	1						
37	Valve Coil		4A3277-01	2	2						
38	Check Valve		4A1373-01	3	3						
39	Strainer		441569-02	1	1						
40	High-Pressure Switch		463180-04	1	1						
41	Thermistor		429006-03	1	1						
42	Thermistor Holder		438247-01	1	1						
43	Drier		4A2663-01	1	1						

B. Water Circuit
KMH-2000S_H/3
 V-0 to F-0



Pump Motor Assembly

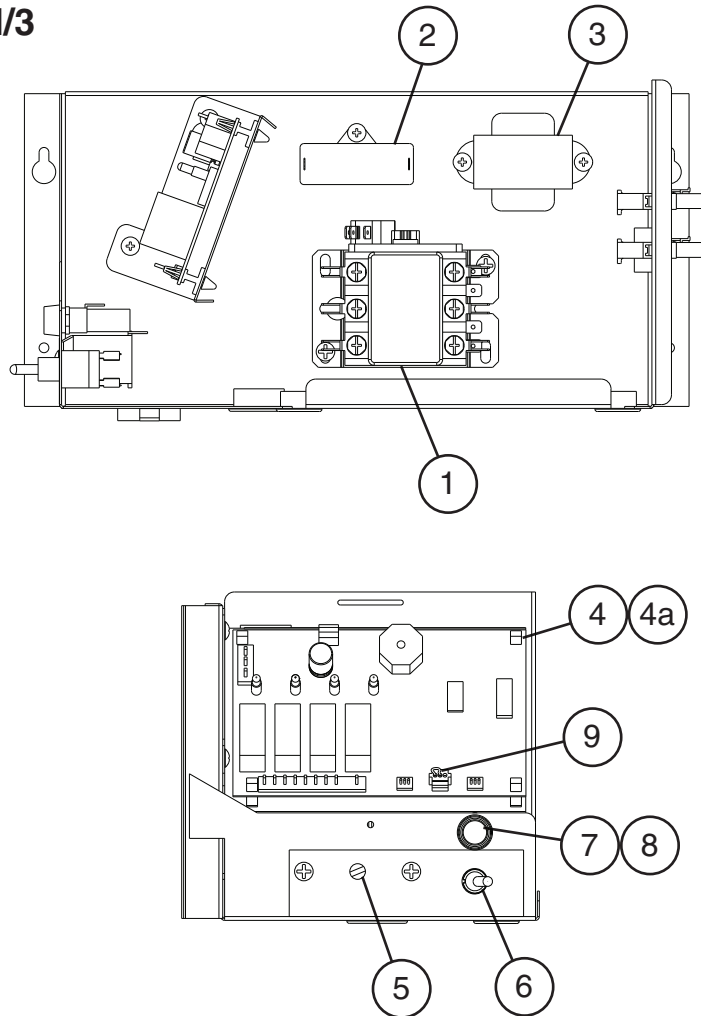


Title: B. Water Circuit Model: KMH-2000S_H/3

Index No.	Description	Material or Model Number	Part Number	Required Number																
				V-0	V-1	A-0 to F-0														
1	Pump Motor Assembly (includes items 2 through 8b)	S-0730	215692A03	1	1	1														
2	Pump Flange		215662-01	1	1	1														
2a	Tooth Washer	M6, SS	7R22-0600	2	2	2														
2b	Hex Head Bolt	6x40, SS	7B02-0640	4	4	4														
2c	Flat Washer	M6, SS	7W22-0600	4	4	4														
2d	Split Lock Washer	M6, SS	7L22-0600	4	4	4														
2e	Hex Nut	M6, SS	7N12-0600	4	4	4														
3	Pump Motor Bracket		323904-01	1	1	1														
4	Mechanical Seal		4A3820-01	1	1	1														
5	Packing		428547-01	1	1	1														
6	Impeller		436584-01	1	1	1														
7	Pin		4A0648-01	1	1	1														
8	Pump Housing		213687-01	1	1	1														
8a	Hex Head Bolt	4x55, SS	7B02-0455	4	4	4														
8b	Hex Flange Nut	4, SS	7J02-0400	4	4	4														
9	Water Supply Pipe		3A5631G01	1	1	1														
10	Rubber Gasket		413854-03	1	1	1														
11	Inlet Water Valve		4A1176-04	1	-															
			4A5251-04		1	1														
12	Distributor Hose A		325738-01	1	1	1														
13	Distributor Hose B		325738-02	1	1	1														
14	Distributor Hose C		325739-01	2	2	2														
15	Joint Pipe		439297-01	1	1	1														
16	Spray Tube		437049G01	6	6	6														
17	Spray Guide		208586-01	18	18	18														
18	Separator A		215046-01	2	2	2														
19	Separator B		2A0100-01	2	2	2														
20	Cube Guide		214243-01	2	2	2														
21	Hose A		435091-01	1	1	1														
22	Hose B		325867-01	1	1	1														
23	Distributor A		439266-01	1	1	1														
24	Distributor B		439239-01	1	1	1														
25	Distributor C		439238-01	1	1	1														
26	Drain Valve Housing		323613-01	1	1	1														
27	Drain Valve Spring		322110-01	1	1	1														
28	Drain Valve Seat		433705-01	1	1	1														
29	Overflow Cap		325866-01	1	1	1														
30	Overflow Joint		323923-02	1	1	1														
31	Float Switch Connector		426799-04	1	1	1														
32	Float Switch		4A3624-01	1	1	1														
33	Overflow Joint O-Ring		7611-P018	1	1	1														
34	Drain Valve O-Ring		7611-G035	1	1	1														
35	Drain Hose		325869-01	1	1	1														
36	Drain Plug		309246-01	1	1	1														
37	Drain Plug O-Ring		7611-P015	1	1	1														

Title: B. Water Circuit Model: KMH-2000S_H/3											
Index No.	Description	Material or Model Number	Part Number	Required Number							
				V-0	V-1	A-0 to F-0					
38	Joint Hose		439309-01	1	1	1					
39	Bypass Hose		439237-02	1	1	1					
40	Cleaning Valve Ball Valve		439293-01	1	1	1					
41	Cleaning Valve Male Adaptor		325826-01	2	2	2					
42	Cleaning Valve O-Ring		7611-P018	2	2	Replaced with thread sealant tape					
43	Cleaning Valve Microswitch		4A2546-01	1	1	1					
44	Cleaning Valve Handle		215383-01	1	1	1					
45	Silicone Hose	L=190 mm	773013812	1	1	1					
46	Silicone Hose	L=430 mm	773013896	1	1	1					
47	Vinyl Hose	L=40 mm	7716-1216	1	1	1					
48	Vinyl Hose	L=550 mm	7716-2732	1	1	1					
49	Vinyl Hose	L=230 mm	7716-2732	1	1	1					
Hose Clamps											
	Hose Clamp	25 mm, SS	427443-03	9	9	9					
	Hose Clamp	13.5 mm, SS	427443-07	6	6	6					
	Hose Clamp	32 mm, SS	427443-09	6	6	6					

C. Control Box Assembly
KMH-2000S_H/3
 V-0 to F-0



Title: C. Control Box Assembly		Model: KMH-2000S_H/3		Required Number							
Index No.	Description	Material or Model Number	Part Number	V-0 to B-0 (C)	B-0 (D) to E-0	E-1 F-0					
1	Magnetic Contactor	KMH-2000SWH/3	4A0794-02	1	1	1					
		KMH-2000SRH/3	4A0794-01	1	1	1					
2	Pump Motor Capacitor	10MFD, 250VAC	443192-01	1	1	1					
3	Control Transformer		3A0172-01	1	1	1					
4	"E" Control Board		2A1410-01	1	1	-					
	"G" Control Board		2A3792-01			1					
4a	Control Board Support		4A0336-03	4	4	4					
5	Bin Control Thermostat		4A2879-02	1	1	1					
6	Control Switch		443119-01	1	1	1					
7	Fuse Holder	KMH-2000SWH/3	4A3449-01	1	-						
			4A5443-01		1	1					
		KMH-2000SRH/3	4A3449-01	1	-						
			4A5443-01		1	1					
8	Fuse	AGC-10A, 250VAC	4A0893-07	1	1	1					
9	Jumper Connector		4A4883G01			1					

D. Accesories & Labels

KMH-2000S_H/3

V-0 to F-0

Title: D. Accesories & Labels Model: KMH-2000S_H/3												
Index No.	Description	Material or Model Number	Part Number	Required Number								
				V-0 to F-0								
1	Universal Brace		4A0363-01	2								
1a	Hex Bolt	5x12, SS	7B02-0512	2								
2	Penguin Label		4A0526-01	1								