



# KMH-2000S\_H(3)


HIGH CAPACITY STACKABLE ICE CUBER






KMH-2000S\_H(3)  
02/14/18  
Item # 13264

Item #: \_\_\_\_\_  
Project: \_\_\_\_\_  
Qty: \_\_\_\_\_  
AIA#: \_\_\_\_\_

## Features

- ▶ Individual crescent cube
- ▶ Stainless steel evaporator
- ▶ CycleSaver™ design 

- 40" depth ice machine frame
- Up to 1944 lbs. of ice production per 24 hours
- Stackable for 7776 lbs. per 24 hours ice production in the same floor space
- Durable stainless steel exterior
- CycleSaver™ design 
- Protected by H-GUARD Plus® Antimicrobial Agent 
- EverCheck™ alert system 
- R-404A Refrigerant

### Warranty:

3 Year Parts & Labor on entire machine. 5 Year Parts & Labor on Evaporator. 5 Year Parts on Compressor; air-cooled condenser coil. Valid in United States, Canada, Puerto Rico and U.S. Territories. Contact factory for warranty in other countries.

**W x D x H**  
36" x 40" x 36<sup>7/16</sup>"

**KMH-2000SRH** ★  
Remote Air-Cooled 1 Phase

**KMH-2000SWH3**  
Water-Cooled 3 Phase

**KMH-2000SRH3** ★  
Remote Air-Cooled 3 Phase

Shown on a Kloppenberg 2115  
Double Upright Bin



Please allow for adequate lead time when placing orders



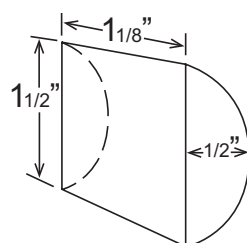
Condenser	Model	ICE PRODUCTION		WATER USAGE		ELECTRICAL								
		Air / Water Temp Lbs. per 24 hours 70°/ 50°F	90°/ 70°F	Potable Gal. per 100 lbs. 90°/ 70°F	Condenser Gal. per 100 lbs. 90°/ 70°F	kWh Used per 100 lbs. 90°/ 70°F	Max. Fuse Sz or HACR Circuit Bkr	Amperage	Voltage	Circuit Wires (including ground)	Heat Rejection BTU/hr.	Refrigerant Charge Amount	Net / Ship Weight (lbs.)	
1 Phase	Remote	KMH-2000SRH	1944	1694	18.1	N/A	3.8	30A	14.9A	208-230/60/1	4*	27,600	8 lbs. 6 oz. 16 lbs. 1.5 oz. <sup>1</sup>	390 / 415
	Water	KMH-2000SWH3	1843	1840	17.4	102	3.19	20A	7.7A	208-230/60/3	4	25,000	3 lbs. 1.4 oz.	390 / 415
3 Phase	Remote	KMH-2000SRH3	1929	1675	16.8	N/A	3.7	20A	9.9A	208-230/60/3	4	26,500	8 lb. 6 oz. 16 lbs. 1.5 oz. <sup>1</sup>	390 / 415

\*If neutral is not available transformer kit (HS-5030) is required. Refer to instruction manual for installation and electrical requirements.

<sup>1</sup>(with condenser)

Power cord not included

### KM Cube Dimensions\*



\* approximate size in inches, image not to scale

### Operating Limits

- Ambient Temp Range 45 - 100°F
- Water Temp Range 45 - 90°F
- Water Pressure 10 - 113 PSIG
- Voltage Range 187 - 253V

### Service

- Panels easily removed and all components accessible for service.
- Allow 6" (15 cm) clearance at rear, sides, and top for proper air circulation and ease of maintenance/service.

### Plumbing

- Icemaker Water Supply Line: Min. 3/8" Nominal ID Copper Water Tubing or Equivalent
- Icemaker Drain Line: Min. 3/4" Nominal ID Hard Pipe or Equivalent Water-Cooled Model (Lines Must Be Independent of Icemaker)
- Condenser Water Supply Line: Min. 3/8" Nominal ID Copper Water Tubing or Equivalent
- Condenser Drain/Return Line: Min. 3/8" Nominal ID Hard Pipe (open drain system) or Copper Water Tubing (closed loop system) or Equivalent

### Water Filter

Please refer to water filter spec sheet for recommended configurations.

Hoshizaki reserves the right to change specifications without notice.



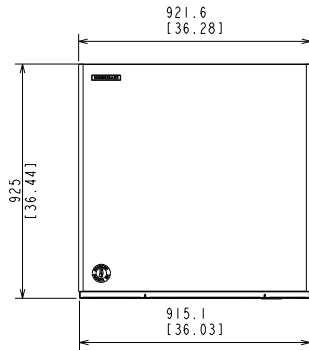
# KMH-2000S\_H(3)

## HIGH CAPACITY STACKABLE ICE CUBER

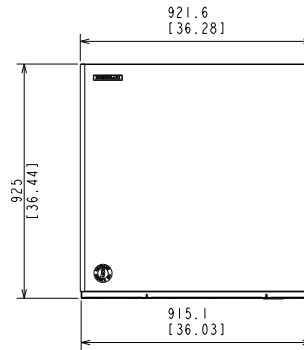


KMH-2000S\_H(3)  
02/14/18  
Item # 13264

FRONT VIEW

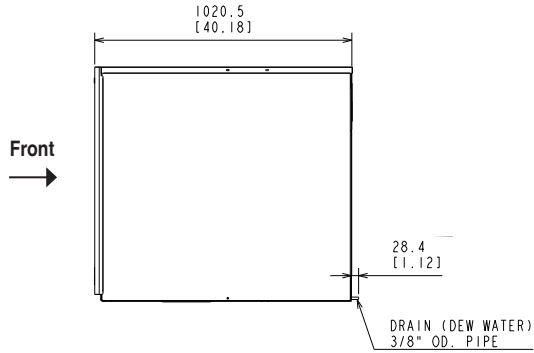


WATER-COOLED

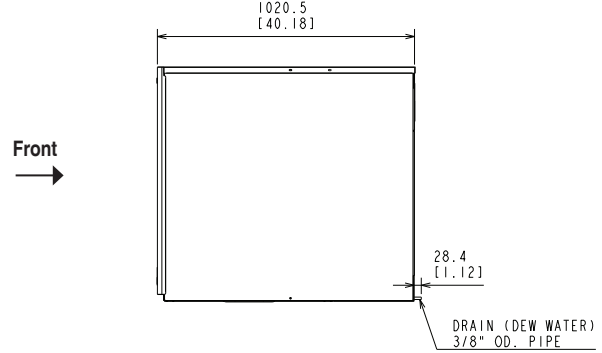


REMOTE AIR-COOLED

SIDE VIEW

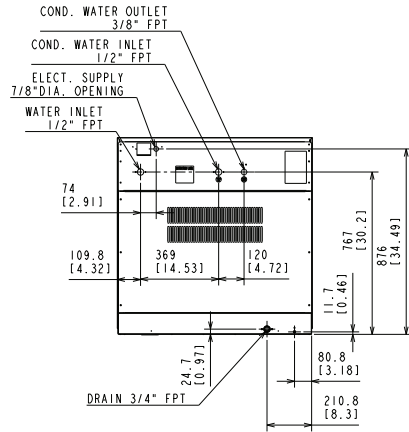


WATER-COOLED

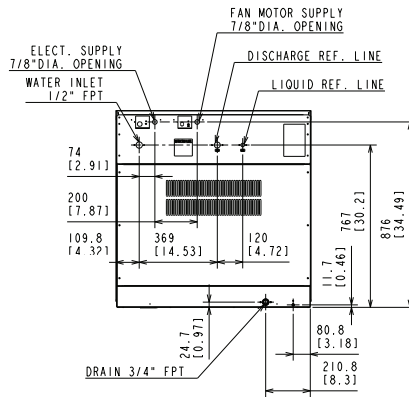


REMOTE AIR-COOLED

REAR VIEW

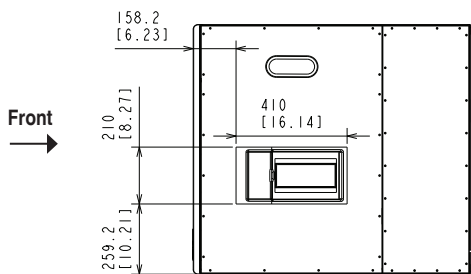


WATER-COOLED



REMOTE AIR-COOLED

BOTTOM VIEW



WATER-COOLED  
REMOTE AIR-COOLED

**URC-22F Remote Condenser (Sold Separately)**  
(W x D x H) 46 3/8 x 14 1/16 x 40 1/2  
For Use with KMH-2000SRH(3)



**Pre-Charged Tubing Kits**  
(Sold Separately)  
20' R404-20610  
35' R404-35610  
55' R404-55610

Voltage supply for the URC Remote Condenser is supplied from the Ice Maker. No additional circuit is required.

