



HOSHIZAKI

Parts List

Modular Crescent Cuber
Serenity Series

Model
KMS-1401MLJ



hoshizakiamerica.com

Number: 71342
Issued: 8-19-2011
Revised: 12-18-2018

CONTENTS

Auxiliary Codes.....	3
Note About Ordering Parts	3
A. Main Assembly & Refrigeration Circuit	4
B. Water Circuit	6
C. Control Box Assembly	9
D. Accessories & Labels	10

Auxiliary Codes

KMS-1401MLJ

A-0	October 2011
B-0	January 2012
C-0	January 2013
C-1	August 2013
D-0	January 2014
D-1	June 2014
E-0	January 2015
F-0	January 2016
G-0	January 2017

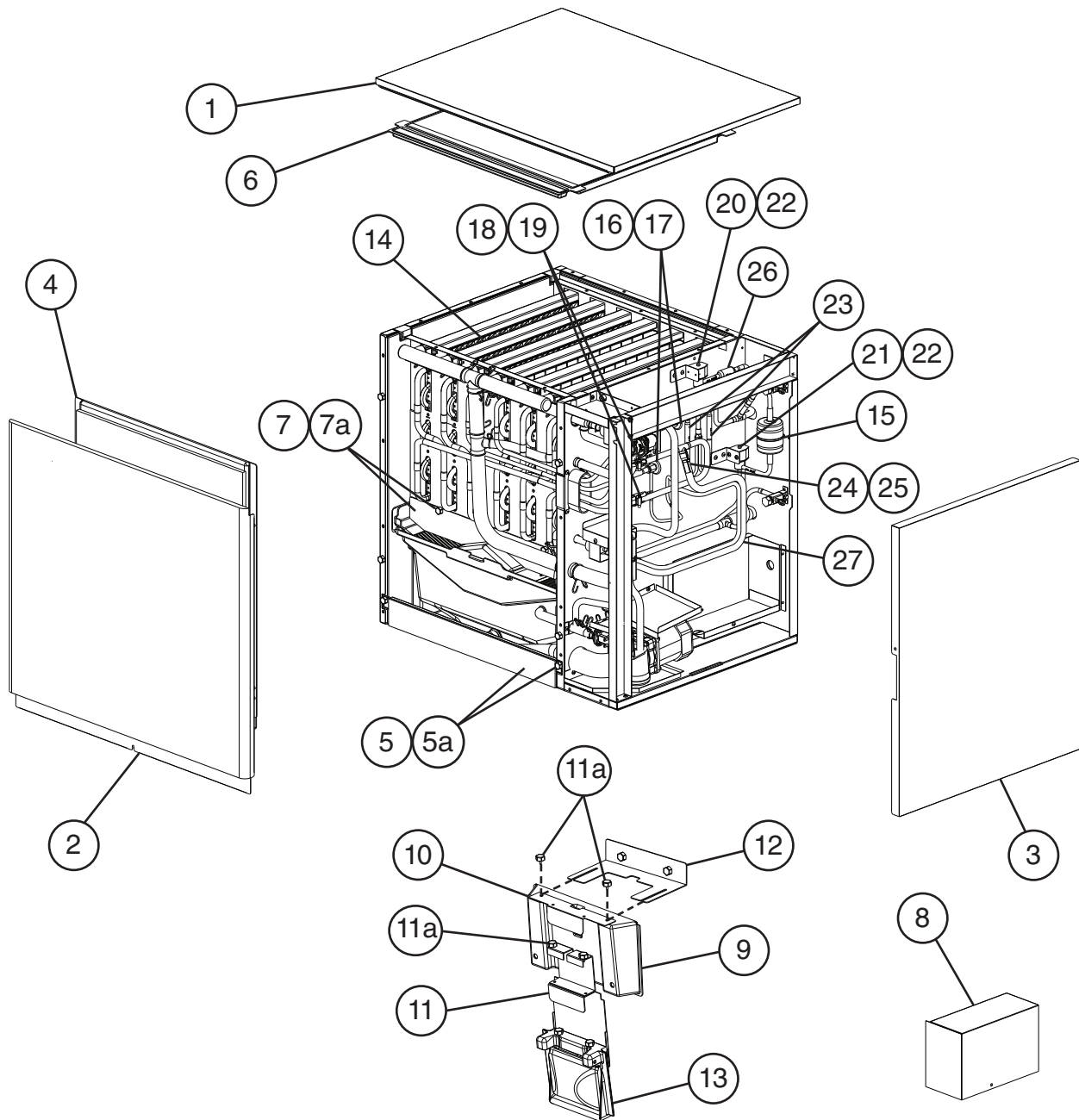
Auxiliary Code Breakdown

The auxiliary code is the first two characters in the serial number. The first character indicates the year. Years progress or regress in alphabetical order. The series runs from "A" through "V" and the letters "I" and "O" are skipped. The second character indicates significant part changes within a year. Base is "0" and this number advances for each change. In cases where there is a letter in parentheses, this designates the month. This is the last character in the serial number. The series runs from "(A)" through "(M)" and the letter "(I)" is skipped. This designation is only included when identifying a parts change within an auxiliary code.

Note About Ordering Parts

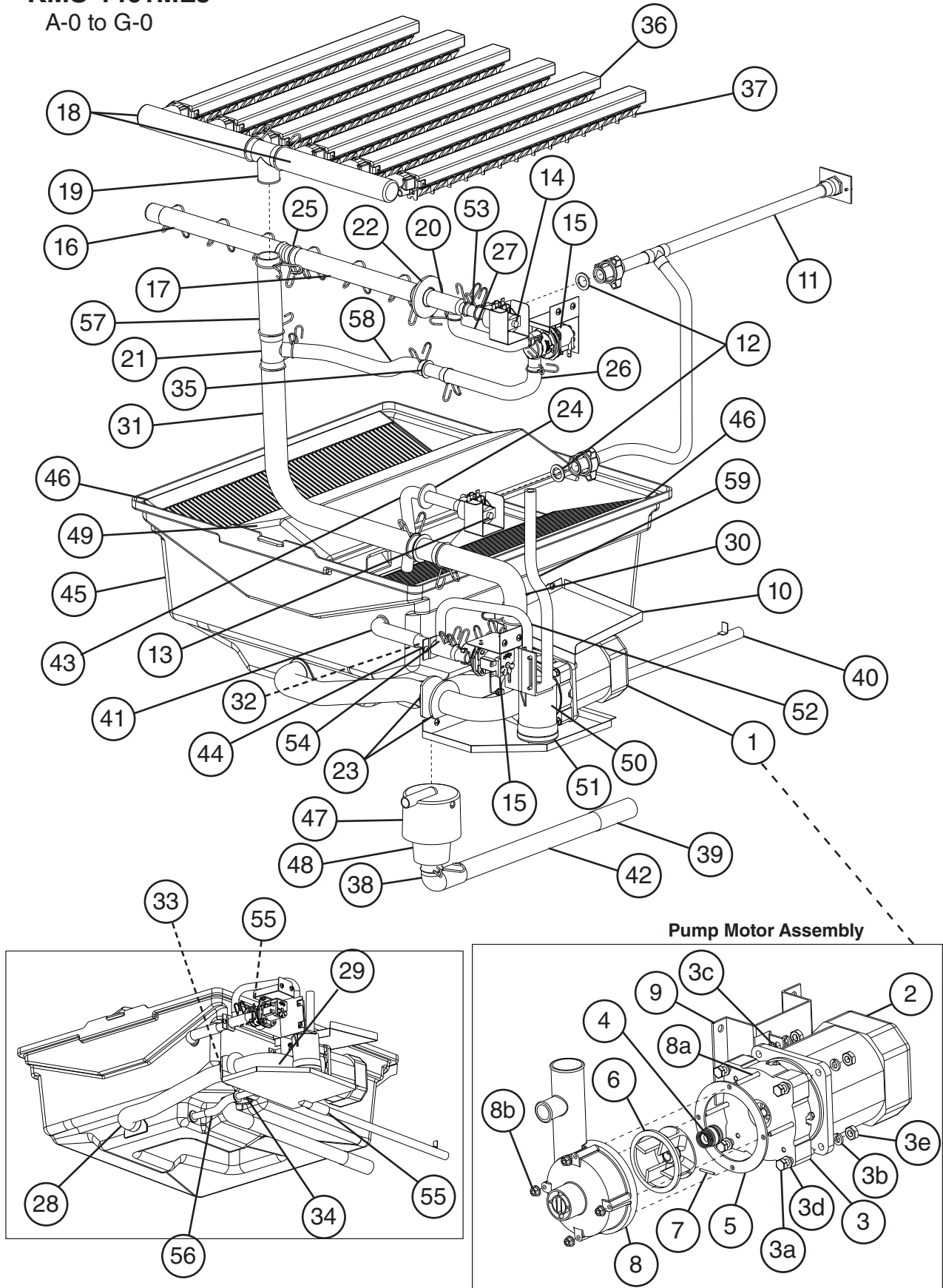
Most assemblies cannot be ordered as complete units; parts in the assemblies generally must be ordered separately.

A. Main Assembly & Refrigeration Circuit
KMS-1401MLJ
A-0 to G-0



Title: A. Main Assembly & Refrigeration Circuit Model: KMS-1401MLJ												
Index No.	Description	Material or Model Number	Part Number	Required Number								
				A-0 to G-0								
Main Assembly												
1	Top Panel		2A3226-01	1								
2	Front Panel		2A3236-01	1								
3	Right Side Panel		2A3225G01	1								
4	Front Insulation		3A3250G01	1								
5	Front Frame		4A3542G01	1								
5a	Thumbscrew		415949G10	2								
6	Top Insulation		3A3251G01	1								
7	Splash Curtain		3A6842-01	1								
8	Control Box Cover		3A3248-01	1								
9	Mechanical Bin Control Mount		3A3278G01	1								
10	Mechanical Bin Control Cover		4A3580-01	1								
11	Mechanical Bin Control Extension Bracket		4A4296G01	1								
11a	Thumbscrew		415949G08	2								
12	Mechanical Bin Control Bracket		4A4678-01	1								
12a	Thumbscrew		415949G08	2								
13	Mechanical Bin Control		2A4393G01	1								
Refrigeration Circuit												
14	Evaporator (includes item 14)		2A6657G01	1								
15	Drier		4A2663-01	1								
16	Thermostatic Expansion Valve		4A1482-01	2								
17	Thermostatic Expansion Valve Cover		3A0944-01	2								
18	Thermostatic Expansion Valve Bulb Holder		3A0107-01	2								
19	Clamp		443461-02	2								
20	Hot Gas Valve Body		4A3978-01	1								
21	Liquid Line Valve Body		4A3276-01	1								
22	Valve Coil		4A3277-01	2								
23	Check Valve		4A1373-01	2								
24	Thermistor		429006-05	1								
25	Thermistor Holder		438247-01	1								
26	Strainer		441569-02	1								
27	Heat Exchanger		3A3263G01	1								

B. Water Circuit
KMS-1401MLJ
 A-0 to G-0



Title: B. Water Circuit Model: KMS-1401MLJ

Index No.	Description	Material or Model Number	Part Number	Required Number										
				A-0 to D-0	D-1 to G-0									
1	Pump Motor Assembly (includes items 2 through 9)		2A3237A01	1	1									
2	Pump Motor		2U0106-01	1	1									
3	Pump Flange		215662-01	1	1									
3a	Hex Head Bolt	6x40, SS	7B02-0640	4	4									
3b	Split Lock Washer		7L22-0600	4	4									
3c	Tooth Washer		7R22-0600	2	2									
3d	Flat Washer		7W22-0600	4	4									
3e	Hex Nut		7N12-0600	4	4									
4	Mechanical Seal		4A3820-01	1	1									
5	Packing		428547-01	1	1									
6	Impeller		436584-01	1	1									
7	Pin		4A0648-01	1	1									
8	Pump Housing		2A3214-01	1	1									
8a	Hex Head Bolt	4x55, SS	7B02-0455	4	4									
8b	Hex Flange Nut		7J02-0400	4	4									
9	Pump Motor Bracket		3A3252-01	1	1									
10	Pump Motor Cover		4A3586-01	1	1									
11	Water Supply Pipe		3A5118G01	1	1									
12	Rubber Gasket		413854-03	2	2									
13	Fill/Refill Inlet Water Valve (WV1)		4A5251-05	1	1									
14	Harvest Inlet Water Valve (WV2)		4A5251-04	1	1									
15	Wash Valve/Drain Valve		4A3722-05	2	-									
			4A5745-05		2									
16	Distributor Hose A		325738-01	1	1									
17	Distributor Hose B		325738-02	1	1									
18	Distributor Hose C		325739-02	2	2									
19	Distributor A (Tee)		4A3528-01	1	1									
20	Distributor B (Tee)		3A3239-01	1	1									
21	Distributor C (Tee)		4A3530-01	1	1									
22	Flange		439267-02	1	1									
23	Flange		439267-03	2	2									
24	Flange		4A3573-01	1	1									
25	Joint Pipe		439297-02	1	1									
26	Upper Inlet Hose		3A3496-01	1	1									
27	Outlet Hose		3A3497-01	1	1									
28	Suction Hose A		3A3234-01	1	1									
29	Suction Hose B		4A3534-01	1	1									
30	Discharge Hose A		4A3532-01	1	1									
31	Discharge Hose B		4A3533-01	1	1									
32	Evaporator Case Pipe A (tee)		4A3524-01	1	1									
33	Evaporator Case Pipe C (tee)		4A3526-01	2	2									
34	Evaporator Case Pipe D		4A3527-01	1	1									
35	Evaporator Case Pipe E		4A3765-01	1	1									
36	Spray Tube		437049G04	6	6									
37	Spray Guide		2A4282-03	6	6									

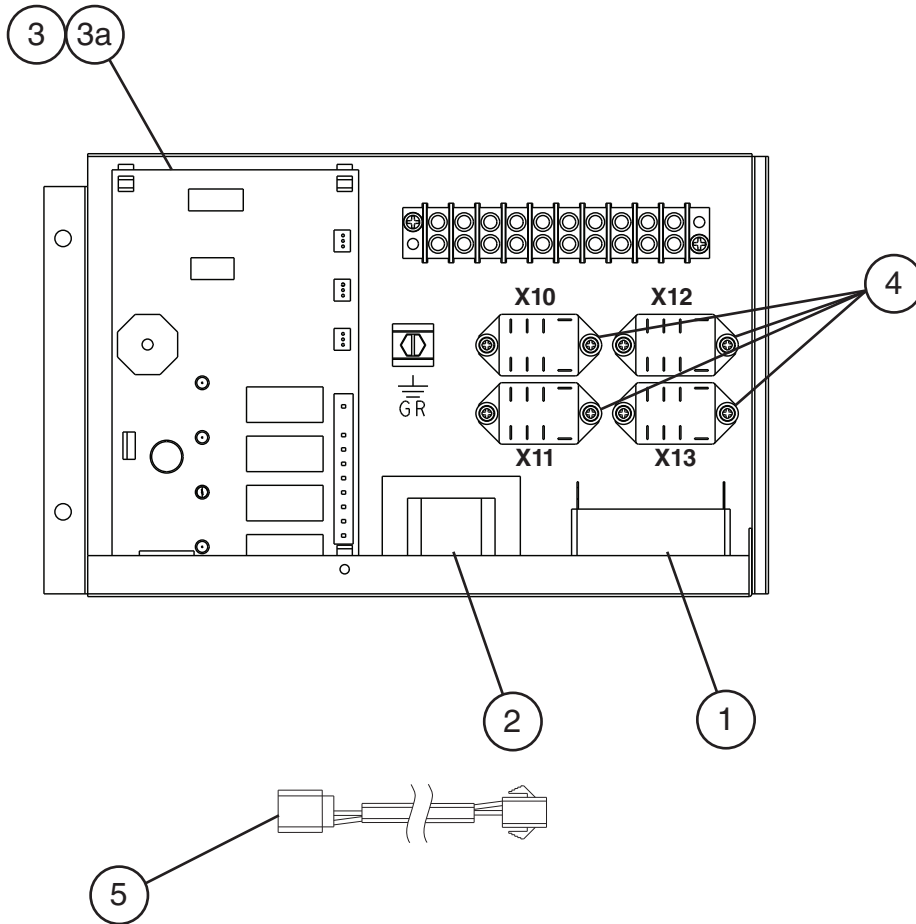
Title: B. Water Circuit Model: KMS-1401MLJ

Index No.	Description	Material or Model Number	Part Number	Required Number									
				A-0 to D-0	D-1 to G-0								
38	Drain Hose		4A3537-01	1	1								
39	Drain Hose B		434808-01	1	1								
40	Drain Pipe		4A3568G01	1	1								
41	Overflow Drain Hose		4A3536-01	1	1								
42	PVC Pipe		433509-03	1	1								
43	Inlet Hose		4A3535-01	1	1								
44	Pipe Stopper		4A3767-01	1	1								
45	Water Tank		1A2291G01	1	1								
46	Cube Guide		1A0966-01	2	2								
47	Overflow Cap		2A3215-01	1	1								
48	Overflow Pipe		4A3531-02	1	1								
49	Tank Separator		2A3220-01	1	1								
50	Float Switch		4A3624-01	1	1								
51	Float Switch Connector		3A4169-01	1	1								
52	Float Switch Hose		4A4851-01	1	1								
53	Vinyl Hose	L=40 mm	7716-1216	1	1								
54	Vinyl Hose	L=45 mm	7716-1519	1	1								
55	Silicone Hose	L=50 mm	7716-1519	2	2								
56	Vinyl Hose	L=80 mm	7716-1216	1	1								
57	Vinyl Hose	L=124 mm	7716-2732	1	1								
58	Vinyl Hose	L=320 mm	7716-1519	1	1								
59	Silicone Hose	L=320 mm	773013812	1	1								
Hose Clamps													
	Hose Clamp	25 mm	427443-03	3	3								
	Hose Clamp	16.5 mm	427443-04	1	1								
	Hose Clamp	18 mm	427443-05	7	7								
	Hose Clamp	20 mm	427443-06	4	4								
	Hose Clamp	13.5 mm	427443-07	6	6								
	Hose Clamp	27 mm	427443-08	1	1								
	Hose Clamp	32 mm	427443-09	8	8								

C. Control Box Assembly

KMS-1401MLJ

A-0 to G-0

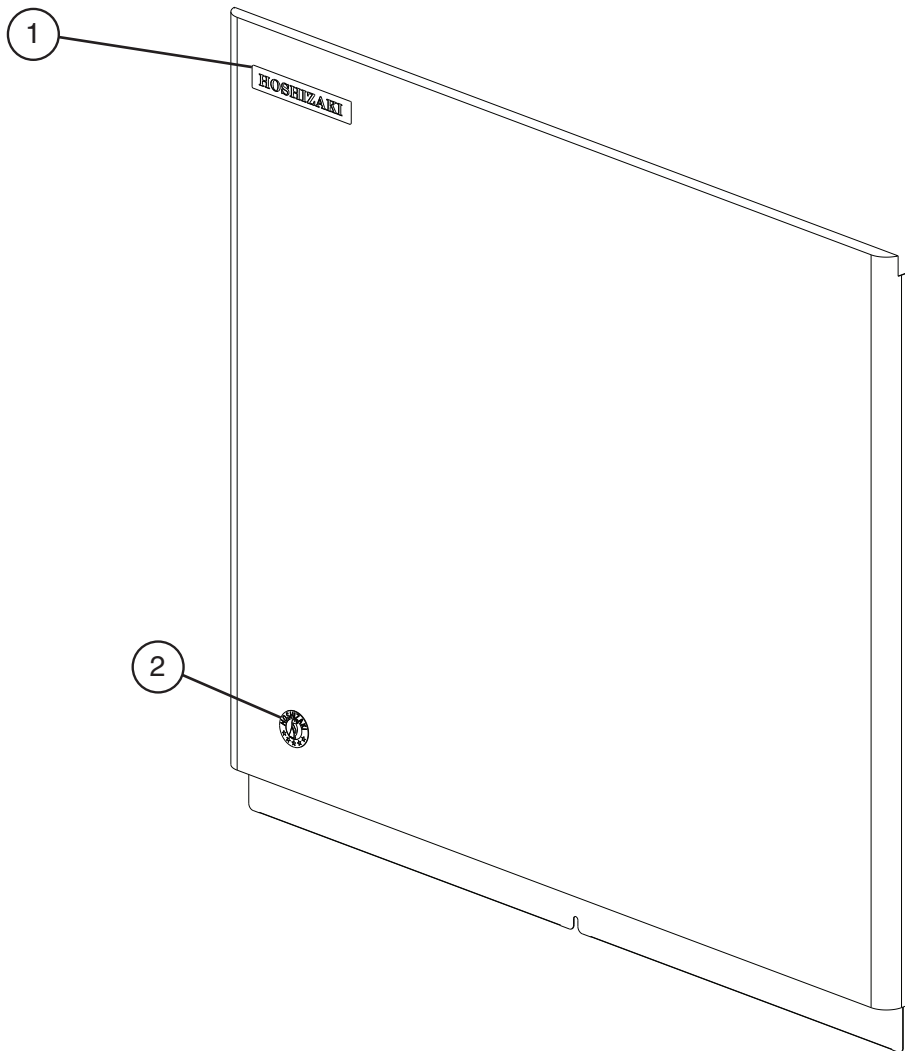


Title: C. Control Box Assembly Model: KMS-1401MLJ					Required Number											
Index No.	Description	Material or Model Number	Part Number	A-0 to G-0												
1	Pump Motor Capacitor	10MFD, 250VAC	443192-01	1												
2	Control Transformer		3A0172-01	1												
3	Control Board		2A3792-01	1												
3a	Control Board Support		4A0336-03	4												
4	Relay X10 = WV1 and WV2 Relay, X11 = Drain Valve/ Harvest Pump Timer Relay X12 = Drain Valve Lockout Relay 1 X13 = Drain Valve Lockout Relay 2		406132-07	4												
5	Wire Harness		4A2200G04	1												

D. Accessories & Labels

KMS-1401MLJ

A-0 to G-0



Title: D. Accessories & Labels		Model: KMS-1401MLJ		Required Number								
Index No.	Description	Material or Model Number	Part Number	A-0 to G-0								
				1	Hoshizaki Emblem Label		4A0560-01	1				
2	Penguin-HA-R Label		475552L02	1								
3	Universal Brace		4A0363-01	2								
3a	Hex Head Bolt	5x12, SS	7B02-0512	2								