



KMS-1401MLJ

SERENITY SERIES CUBER ICE MACHINE



KMS-1401MLJ
03/31/2017
Item # 13289

Item #: _____
Project: _____
Qty: _____
AIA#: _____

W x D x H
30" x 24" x 28"

Installation Dimension*
SRK-14J / SRK-14J3
52^{3/8}" x 19^{1/2}" x 43"

*Dimensions include legs

Actual Dimension
SRK-14J / SRK-14J3
50" x 17" x 28"

KMS-1401MLJ
Remote Air-Cooled
Shown on optional
Lancer 30" Dispenser



Features

- ▶ Individual crescent cube
- ▶ Stainless steel evaporator

▶ CycleSaver™ design

- Up to 1420 lbs. of ice production per 24 hours
- Durable stainless steel exterior
- Protected by H-GUARD Plus Antimicrobial Agent
- EverCheck™ alert system
- Less heat in the kitchen
- Minimized noise
- CFC / HFC Free Foam
- R-404A Refrigerant
- Not recommended for side-by-side application

Warranty:

3 Year Parts & Labor on entire machine. 5 Year Parts & Labor on Evaporator. 5 Year Parts on Compressor; air-cooled condenser coil. Valid in United States, Canada, Puerto Rico and U.S. Territories. Contact factory for warranty in other countries.



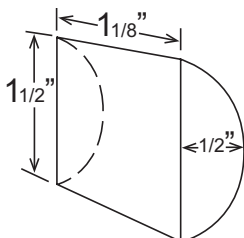
Condenser	Model	ICE PRODUCTION		WATER USAGE		ELECTRICAL			Heat Rejection BTU/hr.	Shipping Weight	ENERGY STAR®	
		Air / Water Temp Lbs. per 24 hours 70°/ 50°F 90°/ 70°F	Per Cycle Lbs. Cubes	Potable Gal. per 100 lbs. 90°/ 70°F	Condenser Gal. per 100 lbs. 90°/ 70°F	kWh Used per 100 lbs. 90°/ 70°F	Max. Fuse Size or HACR Circuit Breaker	Amperage				Voltage
Remote Air-Cooled	KMS-1401MLJ with SRK-14J	1420	1280 25.8 1248	19.5	N/A	4.7	20A	13.5A	115V/60/1 *	28,800	177 lbs.	
Remote Air-Cooled	KMS-1401MLJ with SRK-14J3	1400	1280 26.7 1248	20.0	N/A	4.7	20A	11.5A	115V/60/1 *	29,100	177 lbs.	

Condenser	Model	LINE SETS - Pre-Charged			TEMP RANGE Ambient (Outdoor Use)	Voltage Range	ELECTRICAL			Heat Rejection BTU/hr.	Shipping Weight	ENERGY STAR®
		20' Length	35' Length	55' Length			Max. Fuse Size or HACR Circuit Breaker	Amperage	Voltage			
Remote	SRK-14J	R404-20810**	R404-35810**	R404-55810**	-20 - 122°	187-253VAC	20A	13.5A	208-230V/60/1	28,800	275 lbs.	
Remote	SRK-14J3	R404-20810**	R404-35810**	R404-55810**	-20 - 122°	187-253VAC	20A	11.5A	208-230V/60/3	29,100	275 lbs.	

* Voltage supply for KMS Ice Maker is supplied from the SRK Remote Condenser

** line sets require refrigerant

KM Cube Dimensions*



* approximate size in inches, image not to scale

Operating Limits- KMS-1401MLJ

- Ambient Temp Range 45 - 100°F
- Water Temp Range 45 - 90°F
- Water Pressure 10 - 113 PSIG
- Voltage Range 187-253V*

* Voltage supply for KMS Ice Maker is supplied from the SRK Remote Condenser

Service- KMS-1401MLJ

- Panels easily removed and all components accessible for service.

Plumbing- KMS-1401MLJ

- Icemaker Water Supply Line: Minimum 3/8" Nominal ID Copper Water Tubing or Equivalent
- Icemaker Drain Line: Minimum 3/4" Nominal ID Hard Pipe or Equivalent

Service- SRK-14J(3)

- Allow 24" (61 cm) clearance in both front and rear for proper air circulation and ease of maintenance/service.
- For best performance the Remote Condenser should not be more than 33 feet above the icemaker or no more than 10 feet below it. These distances are measure from fitting to fitting.



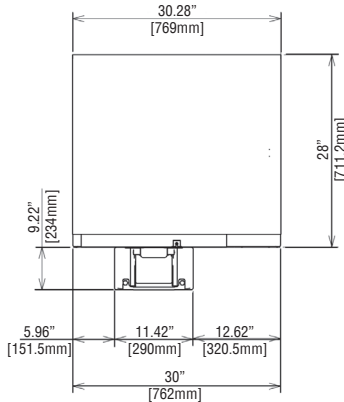
KMS-1401MLJ

SERENITY SERIES CUBER ICE MACHINE

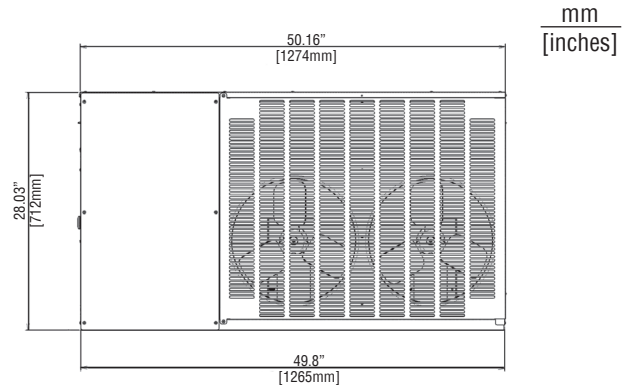


KMS-1401MLJ
03/31/2017
Item # 13289

FRONT VIEW

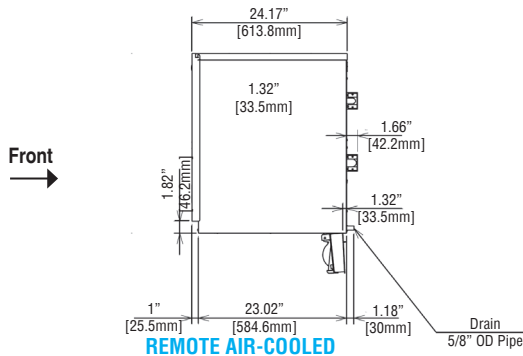


REMOTE AIR-COOLED

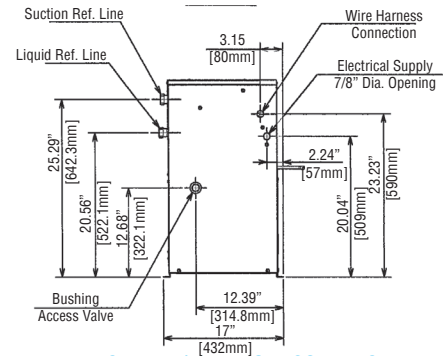


SRK-14J(3) REMOTE CONDENSER

SIDE VIEW

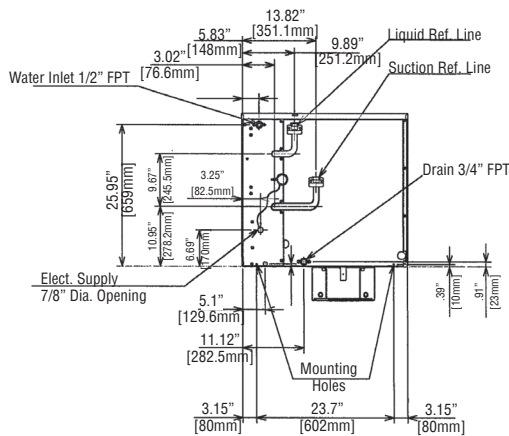


REMOTE AIR-COOLED



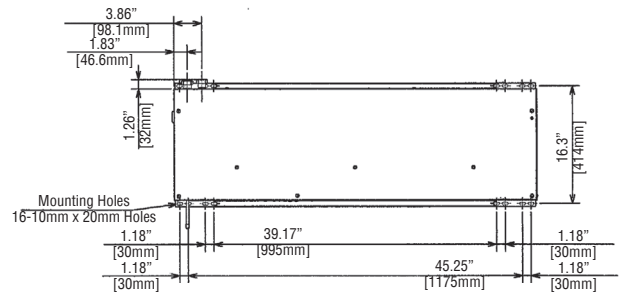
SRK-14J(3) REMOTE CONDENSER

REAR VIEW



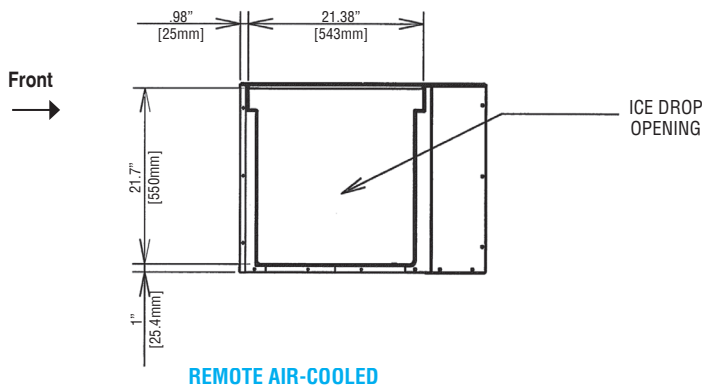
REMOTE AIR-COOLED

TOP VIEW



SRK-14J(3) REMOTE CONDENSER

BOTTOM VIEW



REMOTE AIR-COOLED



Pre-Charged Tubing Kits (Sold Separately)
20' R404-20810
35' R404-35810
55' R404-55810

Voltage supply for the KMS Ice Maker is supplied from the SRK Remote Condenser.

SRK-14J(3) Remote Condenser (Sold Separately)
(W x D x H) 52^{3/8} x 19^{1/2} x 43
For Use with KMS-1401MLJ(3)

