



HOSHIZAKI

Parts List

Modular Crescent Cuber
Serenity Series

Models
KMS-2000MLJ



hoshizakiamerica.com

Number: 71409
Issued: 5-3-2018
Revised: 1-7-2019

CONTENTS

Auxiliary Codes.....	3
Note About Ordering Parts	3
A. Main Assembly and Refrigeration Circuit.....	4
B. Water Circuit	6
C. Control Box Assembly	9
D. Accessories & Labels	10

Auxiliary Codes

KMS-2000MLJ

H-0 January 2018

J-0 January 2019

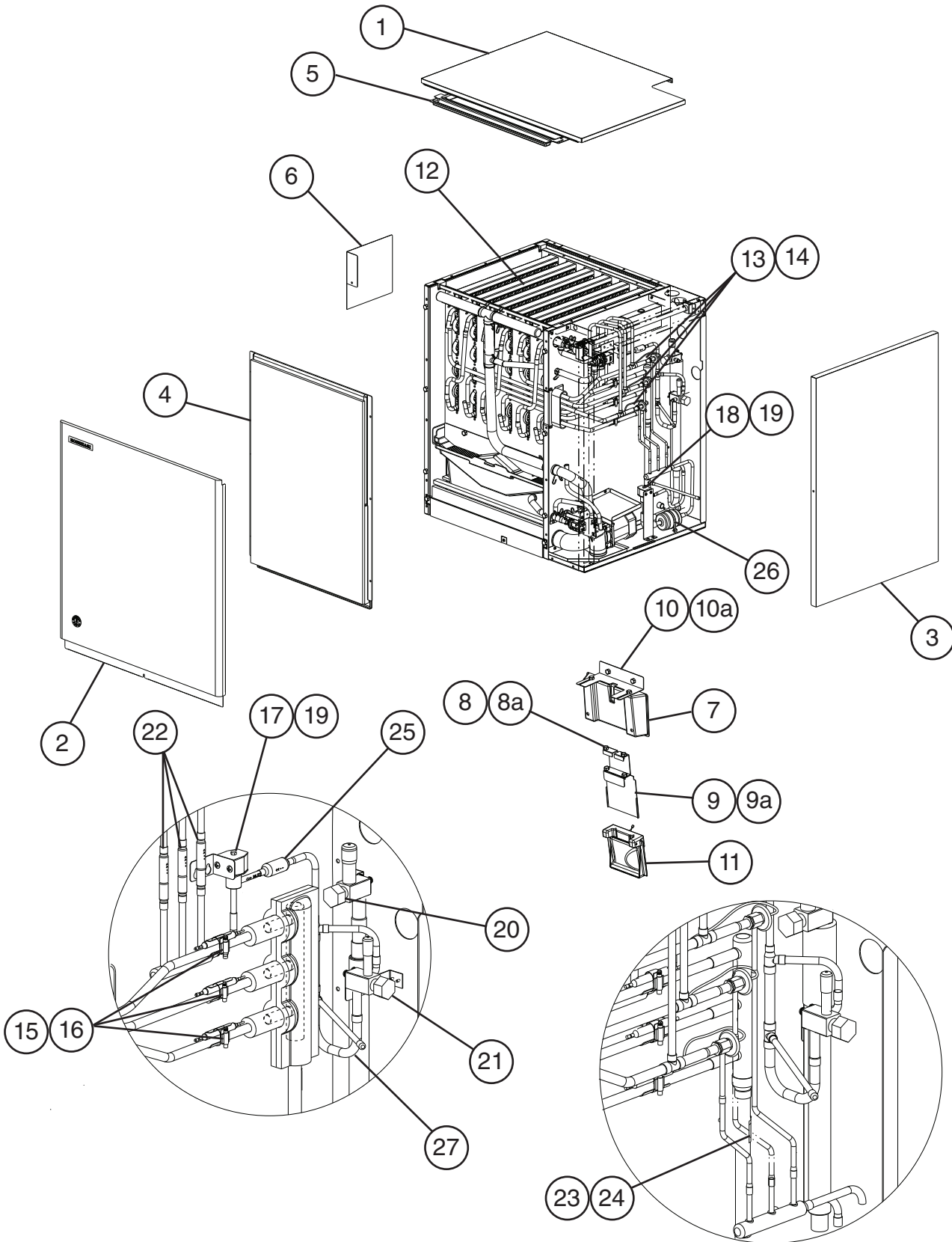
Auxiliary Code Breakdown

The auxiliary code is the first two characters in the serial number. The first character indicates the year. Years progress or regress in alphabetical order. The series runs from "A" through "V" and the letters "I" and "O" are skipped. The second character indicates significant part changes within a year. Base is "0" and this number advances for each change. In cases where there is a letter in parentheses, this designates the month. This is the last character in the serial number. The series runs from "(A)" through "(M)" and the letter "(I)" is skipped. This designation is only included when identifying a parts change within an auxiliary code.

Note About Ordering Parts

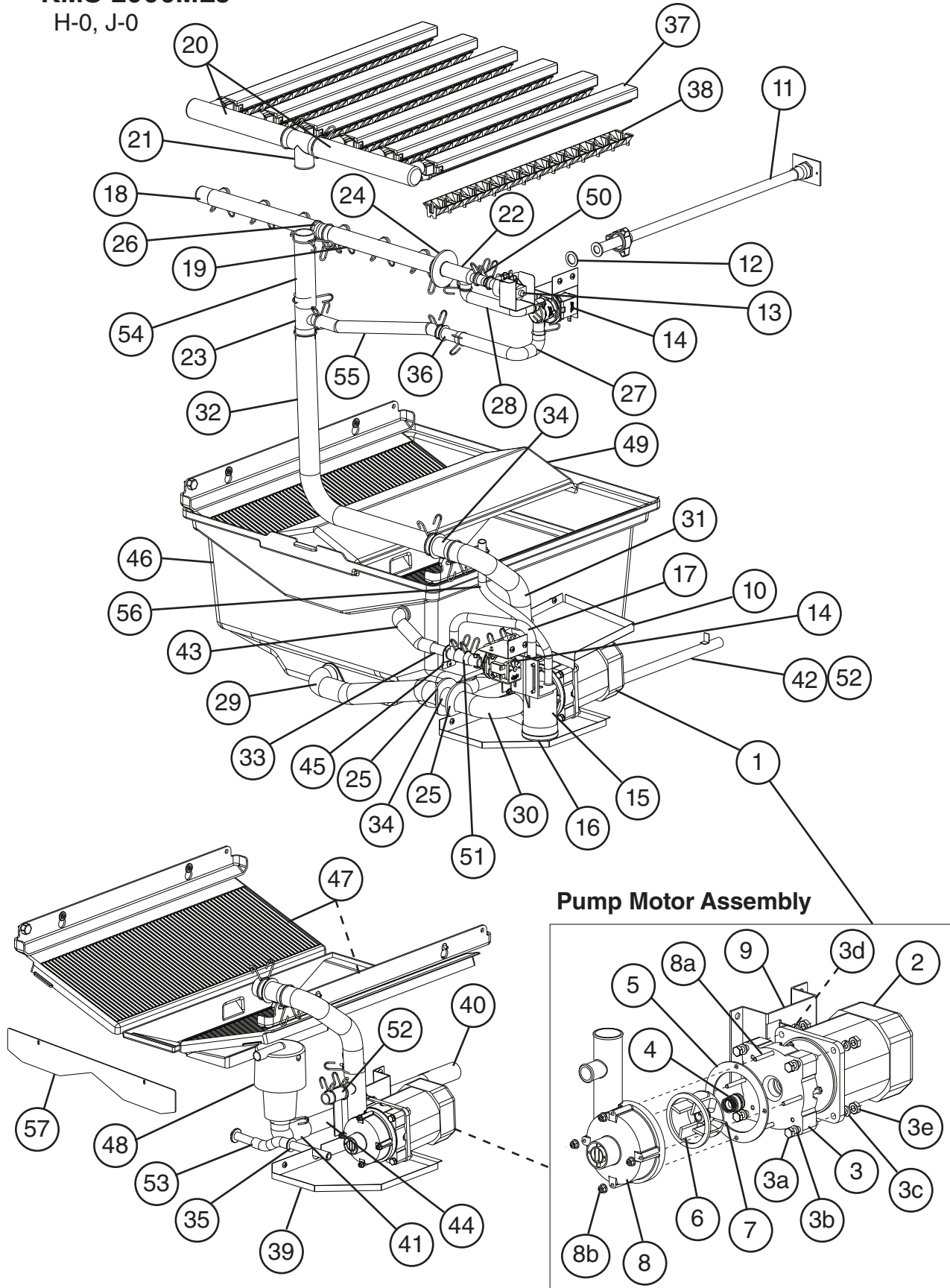
Most assemblies cannot be ordered as complete units; parts in the assemblies generally must be ordered separately.

A. Main Assembly and Refrigeration Circuit
KMS-2000MLJ
 H-0, J-0



Title: A. Main Assembly and Refrigeration Circuit Model: KMS-2000MLJ													
Index No.	Description	Material or Model Number	Part Number	Required Number									
				H-0	J-0								
Main Assembly													
1	Top Panel		2A5300-01	1									
2	Front Panel		2A5200-01	1									
3	Right Side Panel		2A5201G01	1									
4	Front Insulation		3A5484G01	1									
5	Top Insulation		3A3251G01	1									
6	Control Box Cover		3A5619-01	1									
7	Bin Control Mount		3A3278G01	1									
8	Bin Control Cover		4A3580-01	1									
8a	Thumbscrew		415949G10	2									
9	Bin Control Extension Bracket		4A4296G01	1									
9a	Thumbscrew		415949G10	2									
10	Bin Control Bracket		4A4678-01	1									
10a	Thumbscrew		415949G10	2									
11	Bin Control		2A4393G02	1									
Refrigeration Circuit													
12	Evaporator	SP-5372	2A8516G01	1									
13	Thermostatic Expansion Valve		4A4008-01	3									
14	Thermostatic Expansion Valve Cover		3A0944-01	3									
15	Thermostatic Expansion Valve Bulb Holder		3A0107-01	3									
16	Clamp		443461-02	3									
17	Hot Gas Valve Body		4A3978-01	1									
18	Liquid Line Valve Body		4A3276-01	1									
19	Valve Coil		4A3277-01	2									
20	Suction Line Shutoff Valve		4A4821-01	1									
21	Liquid Line Shutoff Valve		4A4822-01	1									
22	Check Valve		4A2054-01	3									
23	Thermistor		429006-03	1									
24	Thermistor Holder		4A4872-01	1									
25	Strainer		441569-02	1									
26	Drier		4A2663-01	1									
27	Heat Exchanger		4A4813-01	1									

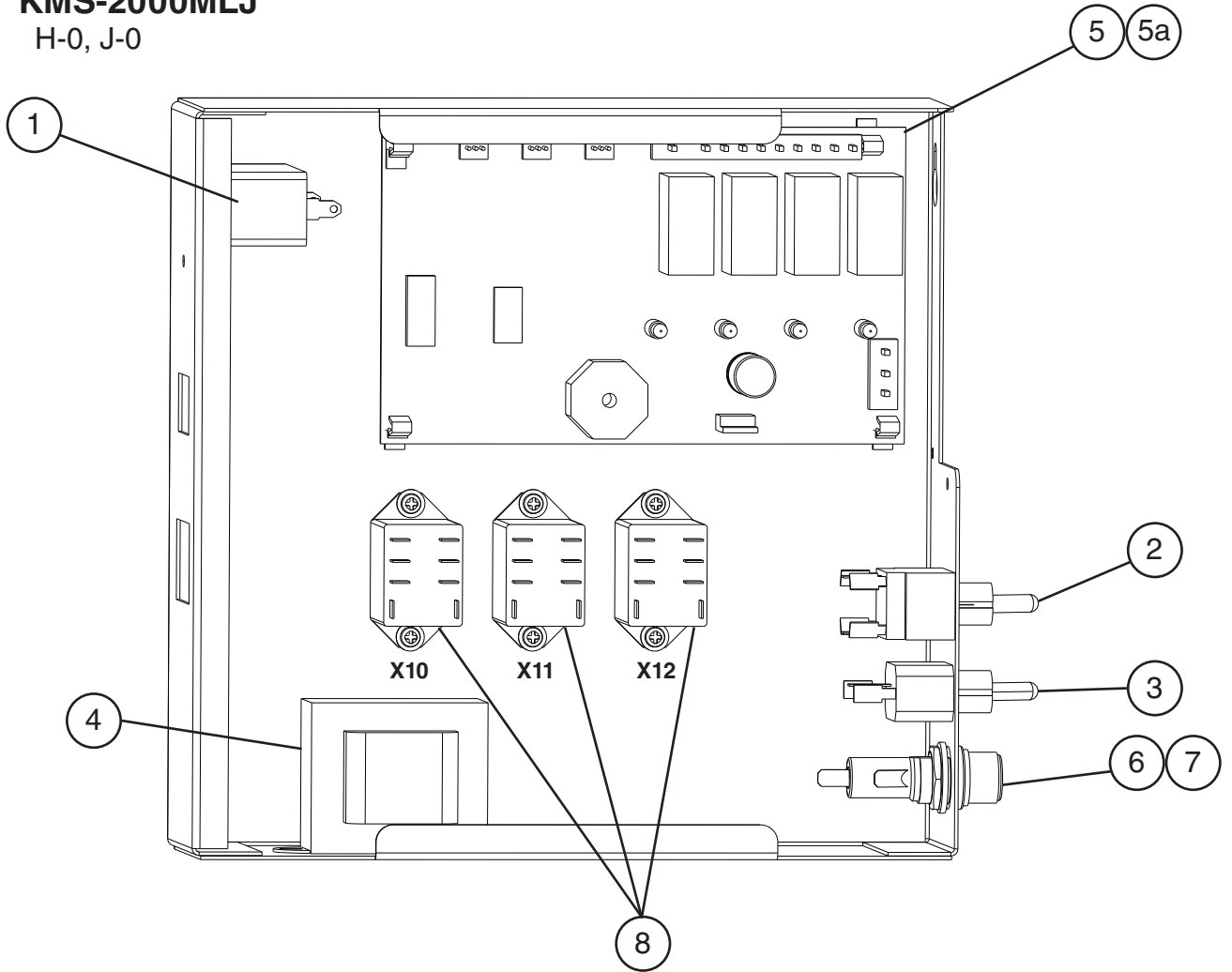
B. Water Circuit
KMS-2000MLJ
 H-0, J-0



Title: B. Water Circuit Model: KMS-2000MLJ												
Index No.	Description	Material or Model Number	Part Number	Required Number								
				H-0	J-0							
1	Pump Motor Assembly (includes items 2 through 9)	HS-0183	2A3237A01	1								
2	Pump Motor		2U0106-01	1								
3	Pump Flange		215662-01	1								
3a	Hex Bolt	6x40	7B02-0640	4								
3b	Flat Washer		7W22-0600	4								
3c	Split Lock Washer		7L22-0600	4								
3d	Tooth Washer		7R22-0600	4								
3e	Hex Nut		7N12-0600	4								
4	Mechanical Seal		4A3820-01	1								
5	Packing		428547-01	1								
6	Impeller		436584-01	1								
7	Pin		4A0648-01	1								
8	Pump Housing		2A3214-01	1								
8a	Hex Bolt	4x55	7B02-0455	4								
8b	Hex Flange Nut		7J02-0400	4								
9	Pump Motor Bracket		3A3252-01	1								
10	Pump Motor Cover		4A3586-01	1								
11	Water Supply Pipe		4A0768G08	1								
12	Rubber Gasket		413854-03	1								
13	Inlet Water Valve		4A5251-02	1								
14	Wash Valve/Drain Valve		4A5745-05	2								
15	Float Switch		4A3624-01	1								
16	Float Switch Connector		3A4169-01	1								
17	Float Switch Hose		4A4851-01	1								
18	Distributor Hose A		325738-01	1								
19	Distributor Hose B		325738-02	1								
20	Distributor Hose C		325739-02	2								
21	Distributor A (Tee)		4A3528-01	1								
22	Distributor B (Tee)		3A3239-01	1								
23	Distributor C (Tee)		4A3530-01	1								
24	Flange		439267-02	1								
25	Flange		439267-03	2								
26	Joint Pipe		439297-02	1								
27	Inlet Hose		3A3496-01	1								
28	Outlet Hose		3A3497-01	1								
29	Suction Hose A		3A3234-01	1								
30	Suction Hose B		4A4850-01	1								
31	Discharge Hose A		4A4847-01	1								
32	Discharge Hose B		4A4856-01	1								
33	Evaporator Case Pipe A		4A3524-01	1								
34	Evaporator Case Pipe C		4A3526-01	2								
35	Evaporator Case Pipe D		4A3527-01	1								
36	Evaporator Case Pipe E		4A3765-01	1								
37	Spray Tube		437049G04	6								
38	Spray Guide		2A4282-03	6								
39	Condensate Drain Pan		3A5841G01	1								

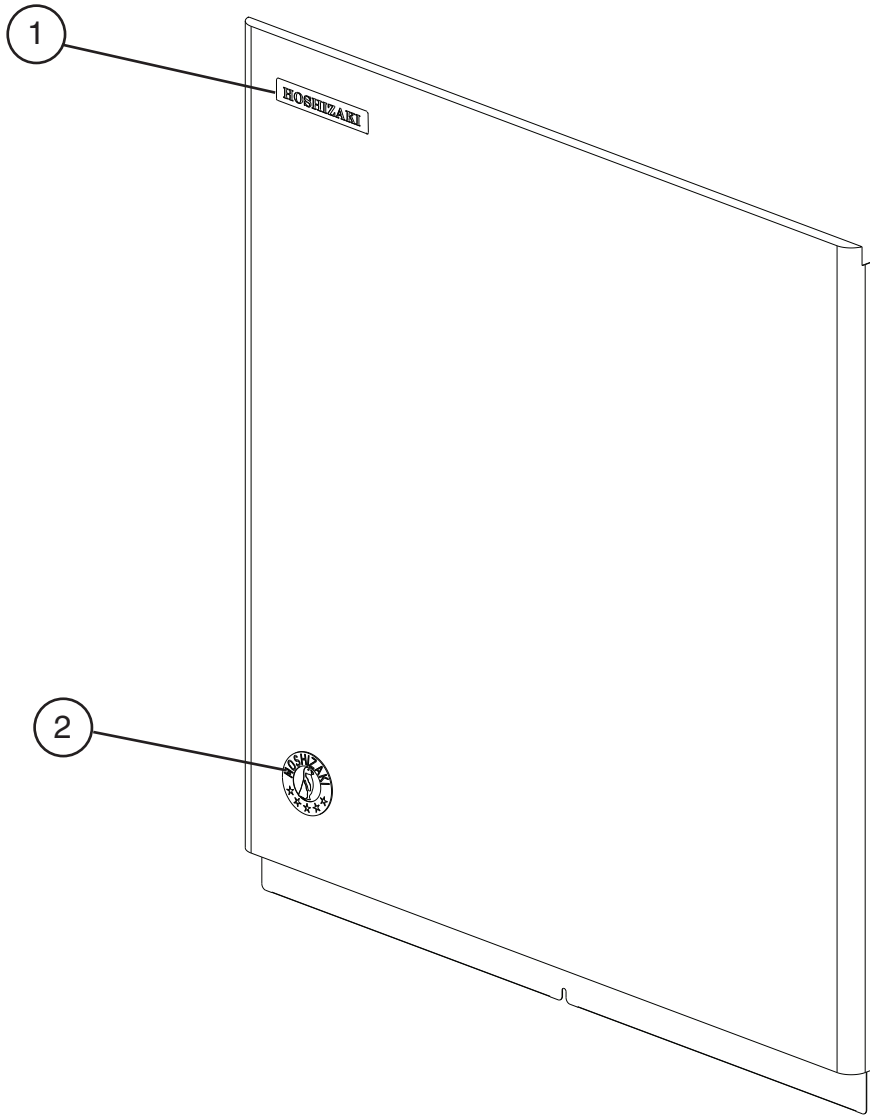
Title: B. Water Circuit Model: KMS-2000MLJ												
Index No.	Description	Material or Model Number	Part Number	Required Number								
				H-0	J-0							
40	Drain Hose A		434808-01	1								
41	Drain Hose B		4A3537-01	1								
42	Drain Pipe		4A3568G01	1								
43	Overflow Drain Hose		4A4848-01	1								
44	PVC Pipe		433509-03	1								
45	Pipe Stopper		4A3767-01	1								
46	Water Tank		1A1622G01	1								
47	Cube Guide		1A0966-01	2								
48	Over Flow Cap		2A3215-01	1								
49	Tank Separator		2A3220-01	1								
50	Vinyl Hose	L=40	7716-1216	1								
51	Vinyl Hose	L=45	7716-1519	1								
52	Vinyl Hose	L=50	7716-1519	2								
53	Vinyl Hose	L=80	7716-1216	1								
54	Vinyl Hose	L=124	7716-2732	1								
55	Vinyl Hose	L=255	7716-1519	1								
56	Silicone Hose	L=261	7730I3812	1								
57	Splash Guard		3A6842-01	1								
Hose Clamps												
	Hose Clamp	25 mm	427443-03	3								
	Hose Clamp	18 mm	427443-05	8								
	Hose Clamp	20 mm	427443-06	4								
	Hose Clamp	13.5 mm	427443-07	6								
	Hose Clamp	27 mm	427443-08	1								
	Hose Clamp	32 mm	427443-09	8								

C. Control Box Assembly
KMS-2000MLJ
H-0, J-0



Title: C. Control Box Assembly Model: KMS-2000MLJ																	
Index No.	Description	Material or Model Number	Part Number	Required Number													
				H-0	J-0												
1	Pump Motor Capacitor	10MFD, 250VAC	443192-01	1													
2	Control Switch		443119-01	1													
3	Service Switch		4A0985-01	1													
4	Control Transformer		3A0172-01	1													
5	Control Board		2A7664-04	1													
5a	Control Board Support		4A0336-03	4													
6	Fuse Holder		4A5443-01	1													
7	Fuse	ACG-10A, 250VAC	4A0893-07	1													
8	Relay X10 = Harvest Pump Relay X11 = X10 Control Relay X12 = Pump Out Relay		406132-07	3													

D. Accessories & Labels
KMS-2000MLJ
H-0, J-0



Title: D. Accessories & Labels Model: KMS-2000MLJ												
Index No.	Description	Material or Model Number	Part Number	Required Number								
				H-0	J-0							
1	Hoshizaki Emblem Label		4A0560-01	1								
2	Penguin-HA-R Label		475552L02	1								
3	Universal Brace		4A0363-01	2								
3a	Hex Bolt	5x12	7B02-0512	2								