



KMS-830MLJ

SERENITY SERIES CUBER ICE MACHINE



KMS-830MLJ
10/26/18
Item # 13453

Item #: _____
Project: _____
Qty: _____
AIA#: _____

Modular Head Unit
W x D x H
30" x 16 1/2" x 29"

Remote Unit Dimension
SRK-10J
35 3/4" x 23 1/2" x 22"

Installation Dimension*
SRK-10J
38" x 29" x 37"

*Dimensions include legs


KMS-830MLJ
Remote Air-Cooled
Shown on optional
Lancer 30" Dispenser





SRK-10J



Features

- ▶ Individual crescent cube
- ▶ Stainless steel evaporator
- ▶ CycleSaver™ design 

- Up to 885 lbs. of ice production per 24 hours
- Durable stainless steel exterior
- Protected by H-GUARD Plus Antimicrobial Agent 
- EverCheck™ alert system 
- No heat, less noise
- CFC / HFC Free Foam
- R-404A Refrigerant
- Not recommended for side-by-side application
- Remote unit includes both condenser and compressor

Warranty:

3 Year Parts & Labor on entire machine. 5 Year Parts & Labor on Evaporator. 5 Year Parts on Compressor; air-cooled condenser coil. Valid in United States, Canada, Puerto Rico and U.S. Territories. Contact factory for warranty in other countries.

Shipping: KMS-830MLJ (LxWxH) 35" x 23 1/4" X 35 1/4" Volume: 16.60ft³

Condenser	Model	ICE PRODUCTION		WATER USAGE		ELECTRICAL				Refrigerant Charge Amount	Net / Ship Weight (lbs.)
		Air / Water Temp Lbs. per 24 hours 70°/ 50°F 90°/ 70°F	885 810	Potable Gal. per 100 lbs. 90°/ 70°F	Condenser Gal. per 100 lbs. 90°/ 70°F	kWh Used per 100 lbs. 90°/ 70°F	Min. Circuit Amp. - Max. Fuse/Breaker	Amperage	Voltage		
Remote	KMS-830MLJ with SRK-10J	885 810	17.5	N/A	4.60	20A	10.6A	208-230V/60/1*	See remote condenser	7.1 oz.	112 /137

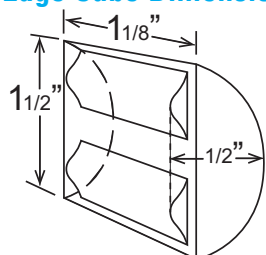
* Voltage supply for KMS Ice Maker is supplied from the SRK Remote Condenser

Condenser	Model	LINE SETS - Brazing Required			TEMP RANGE	ELECTRICAL							
		25' Length	35' Length	55' Length	Ambient (Outdoor Use)	Voltage Range	Min. Circuit Amp. - Max Fuse/Breaker	Amperage	Voltage	Circuit Wires (including ground)	Heat Rejection BTU/hr.	Refrigerant Charge Amount	Net / Ship Weight (lbs.)
Remote	SRK-10J	HS-0250 [†]	HS-0251 [†]	HS-0252 [†]	-20° - 122°F	187-253VAC	20A	11.9A	208-230V/60/1	4	14,700	13 lb. 10.7 oz.	196 /226

[†] Line sets require refrigerant.

Power cord not included. Must be hard-wired at site.

KM Edge Cube Dimensions[§]



[§] approximate size in inches, image not to scale

Operating Limits- KMS-830MLJ

- Ambient Temp Range 45 - 100°F
- Water Temp Range 45 - 90°F
- Water Pressure 10 - 113 PSIG
- Voltage Range 187-253V[‡]

[‡] Voltage supply for KMS Ice Maker is supplied from the SRK Remote Condenser

Service- KMS-830MLJ

- Allow 6" (15 cm) clearance at rear, sides, and top for proper air circulation and ease of maintenance and/or service should they be required.
- Panels easily removed and all components accessible for service.

Plumbing- KMS-830MLJ

- Icemaker Water Supply Line: Minimum 1/4" Nominal ID Copper Water Tubing or Equivalent
- Icemaker Drain Line: Minimum 3/4" Nominal ID Hard Pipe or Equivalent

Service- SRK-10J

- Allow 24" (61 cm) clearance in both front and rear for proper air circulation and ease of maintenance/service.
- For best performance the Remote Condenser should not be more than 33 feet above the icemaker or no more than 10 feet below it. These distances are measure from fitting to fitting.



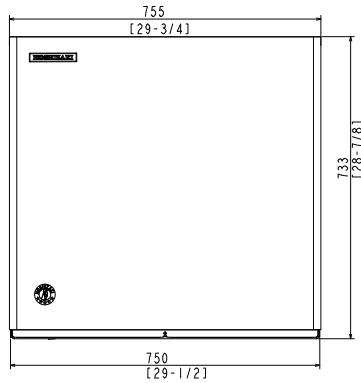
KMS-830MLJ

SERENITY SERIES CUBER ICE MACHINE

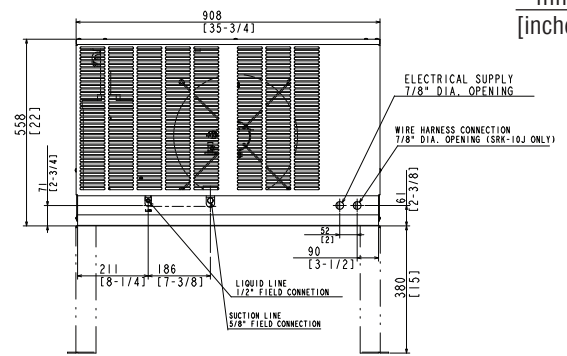


KMS-830MLJ
10/26/18
Item # 13453

FRONT VIEW

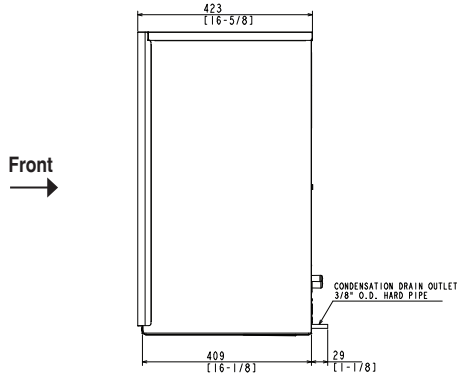


REMOTE AIR-COOLED

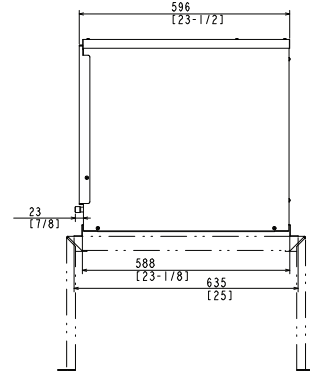


SRK-10J REMOTE CONDENSER

SIDE VIEW

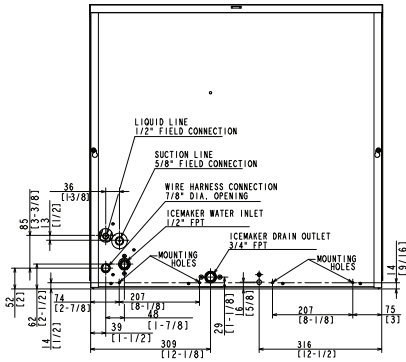


REMOTE AIR-COOLED



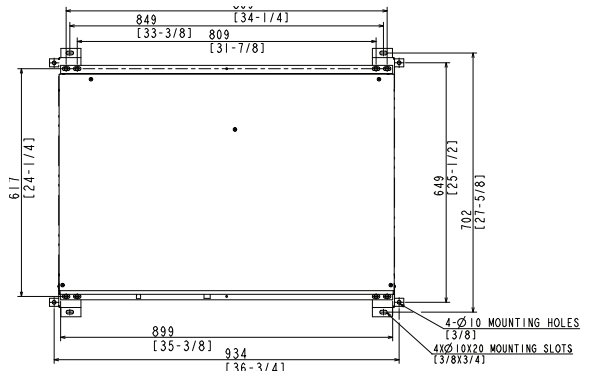
SRK-10J REMOTE CONDENSER

REAR VIEW



REMOTE AIR-COOLED

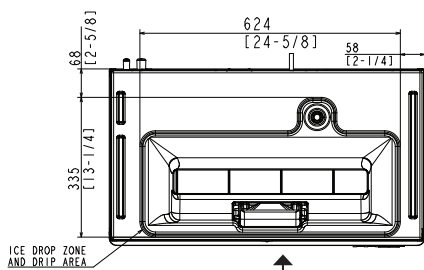
TOP VIEW



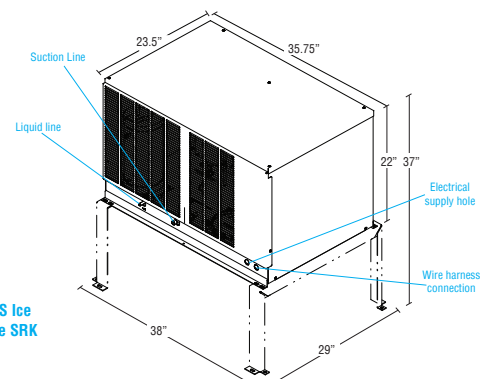
SRK-10J Remote Condenser (Sold Separately)
35 3/4" x 23 1/2" x 37" (W x D x H with legs)

For Use with KMS-830MLJ

BOTTOM VIEW



REMOTE AIR-COOLED



Brazed Line Sets
(Sold Separately)

25' HS-0250

35' HS-0251

55' HS-0252

Voltage supply for the KMS Ice Maker is supplied from the SRK Remote Condenser.