



S-Series 3300 Ice Cube Machine

Model

- SD-3303W3
 SD-3303W3HP
 SY-3305W3
 SY-3305W3HP



S-3300 Ice Machine on F-1325 Bin

Standard Features

- Quadzilla™ Evaporator System– places four high-output individual evaporators in a compact 48" (121.92 cm) wide ice maker for up to 3,380 lbs. (1,533 kgs.) daily ice production.
- Ice machine is 48" W x 31" D x 36" H (121.92 x 78.74 x 91.44 cm).
- Select components made with AlphaSan® antimicrobial.
- Patented ice harvest technology reduces energy requirements.
- R404A CFC-free refrigerant.

Warranty

- 5-year parts and 5-year labor coverage on ice machine evaporator.
- 5-year parts and 3-year labor coverage on ice machine compressor.
- 3-year parts-and-labor coverage on all other components.

Specifications

BTU Per Hour:

45,000 (average) 51,000 (peak)

Compressor:

Nominal rating: 5.0 HP

Cupra-Nickel Condenser:

Adds protection from corrosive water elements.

Operating Limits:

- Ambient Temperature Range: 35° to 110°F (1.67° to 43.3°C)
- Water Temperature Range: Potable Water: 35° to 90°F (1.67° to 32.2°C)
- Condenser: 35° to 110°F (1.67° to 43.3°C)
- Water Pressure Ice Maker Water In: Min. 20 psi (137.9 kPA) Max. 80 psi (551.1 kPA)
- Condenser Inlet Water In: Min. 20 psi (137.9 kPA) Max. 250 psi (1,034.2 kPA)

If water system is over 250 PSIG order the high pressure valve option (add "HP" to end of item number). Maximum pressure allowance is 350 PSIG.

Ice Machine Electric

208-230/60/3 phase (460/60/3 Marine also available.)

Minimum circuit ampacity:

30 amps

Maximum fuse size:

30 amps

HACR-type circuit breakers can be used in place of fuses.

Ice Shape



Half Dice
 $\frac{3}{8}$ " x $1\frac{1}{8}$ " x $\frac{7}{8}$ "
 (.95 x 2.86 x 2.22 cm)



Dice
 $\frac{7}{8}$ " x $\frac{7}{8}$ " x $\frac{7}{8}$ "
 (2.22 x 2.22 x 2.22 cm)

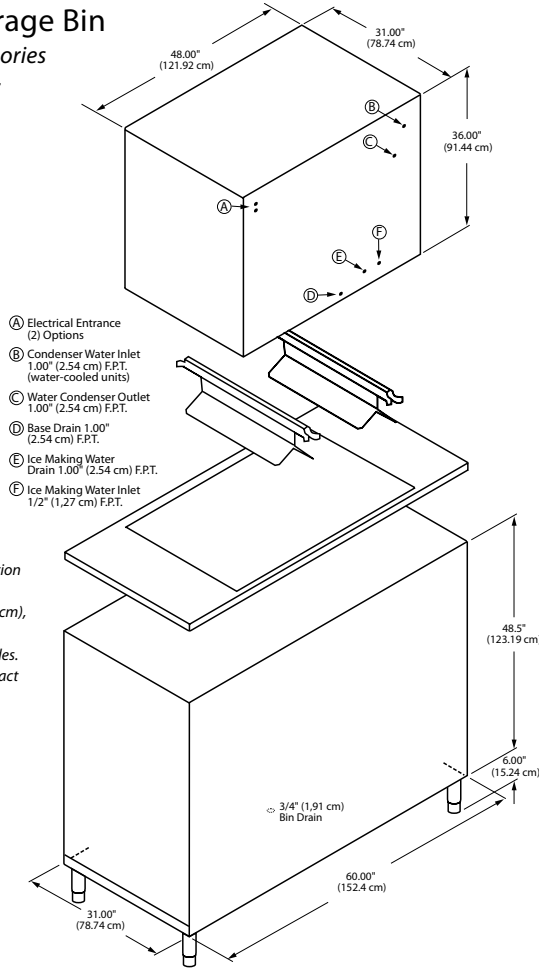




S-Series 3300 Ice Cube Machine

S-3300 on F-1325 Storage Bin Ice Bin & Accessories Sold Separately

ICE MACHINE + DEFLECTOR + ADAPTER + ICE BIN = PACKAGE



Installation Note
Recommended installation clearance— Top/sides 8" (20.3 cm), back: 24" (61 cm), although 24" (61 cm) is recommended on all sides. Bin drain— located in exact center of bin.

Space-Saving Designs



	S-3300C F-1300	S-3300 F-1325**
Height	99.50" 252.73 cm	99.50" 229.87 cm
Width	48.00" 121.92 cm	60.00" 152.40 cm
Depth*	31.00" 78.74 cm	31.00" 78.74 cm
Bin Storage	1,320 lbs. 599 kgs.	1,325 lbs. 601 kgs.

Height includes adjustable bin legs 6.00" to 7.50", (15.24 to 20.32 cm) set at 6.00" (15.24 cm).
*Depth at bin base, 39" including bin door.
**Requires K-604800 bin adapter.

- Accessories**
K-00391 Ice Deflectors (Set of 2)
K-00395 Bin Thermostat
NOTE: S-3300 not for use on B-970 Bin.
K-604800 Bin Adapter for F-1325 / F-1650 Bins
K-614800 Bin Adapter for FC-1350 Bin & Cart System

Model	Ice Shape	Ice Production 24 Hours		Power kWh/100 lbs @ 90° Air/70°F	Water Usage/100 lbs. 45.4 kgs. of Ice	
		70° Air/50°F Water	90° Air/70°F Water		Potable Water Usage	Water-Cooled Condenser
SD-3303W3	dice	3,320 lbs.	2,619 lbs.	3.91	18.4 gal.	174 gal.
SD-3303W3HP*		1,506 kgs.	1,188 kgs.		70 L.	659 L.
SY-3305W3	half-dice	3,380 lbs.	2,784 lbs.	3.67	19.7 gal.	174 gal.
SY-3305W3HP*		1,533 kgs.	1,263 kgs.		75 L.	659 L.

*High pressure water regulation valve model. Order ice storage bin separately.

Condenser Water Temperature	50°F 10°C	70°F 21°C	90°F 32°C
Water Temp. Out F°	100° to 110°		
Water Temp. Out C°	37.8° to 43.3°		

2110 South 26th Street
PO Box 1720
Manitowoc, WI 54221-1720 USA

Tel: 1.920.682.0161
Fax: 1.920.683.7589
www.manitowocice.com



4306B ©2011 Manitowoc /111 Continuing product improvement may necessitate change of specifications without notice.