



# HOSHIZAKI

## Parts List

### Cabinet Stand

#### Models

SD-200

SD-270

SD-271

SD-450

SD-500

SD-700

SD-750



## CONTENTS

|  |    |
|--|----|
| Auxiliary Codes.....                         | 3  |
| Note About Ordering Parts .....              | 5  |
| A. Cabinet Stand Assembly .....              | 6  |
| SD-200, SD-450, SD-500, SD-700, SD-750 ..... | 6  |
| SD-270, SD-271 .....                         | 7  |
| B. Door Assemblies .....                     | 9  |
| SD-200, SD-500, SD-750.....                  | 9  |
| SD-270, SD-271 .....                         | 10 |
| C. Accessories .....                         | 12 |

## Auxiliary Codes

### SD-200

R-5 January 2006  
R-6 December 2006  
S-5 January 2007  
T-5 February 2008  
U-5 February 2009  
V-5 January 2010  
A-5 January 2011  
B-5 January 2012  
C-5 January 2013  
D-5 February 2014  
E-5 January 2015  
F-5 August 2017  
G-5 January 2017  
H-5 January 2018  
J-5 January 2019  
K-5 January 2020  
L-5 January 2021  
M-5 January 2022

### SD-270

R-5 January 2006  
R-6 November 2006  
S-5 January 2007  
T-5 January 2008  
U-5 January 2009  
V-5 January 2010  
A-5 January 2011  
B-5 January 2012  
C-5 January 2013  
D-5 February 2014  
E-5 January 2015  
F-5 July 2017  
G-5 January 2017  
H-5 January 2018  
J-5 January 2019  
K-5 January 2020

### SD-271

K-5 December 2020  
L-5 January 2021  
M-5 January 2022

### SD-450

R-5 January 2006  
R-6 November 2006  
S-5 January 2007  
T-5 January 2008  
U-5 January 2009  
V-5 January 2010  
A-5 January 2011  
B-5 January 2012  
C-5 January 2013  
D-5 March 2014  
E-5 January 2015  
F-5 February 2016  
G-5 January 2017

### SD-500

R-5 January 2006  
R-6 November 2006  
S-5 January 2007  
T-5 January 2008  
U-5 February 2009  
V-5 January 2010  
A-5 January 2011  
B-5 January 2012  
C-5 January 2013  
D-5 January 2014  
E-5 January 2015  
F-5 July 2016  
G-5 January 2017  
H-5 January 2018  
J-5 January 2019  
K-5 January 2020  
L-5 January 2021  
M-5 January 2022

## **Auxiliary Codes continued**

### **SD-700**

R-5 January 2006  
S-5 March 2007  
T-5 April 2008  
U-5 March 2009  
V-5 February 2010  
A-5 March 2011  
B-5 March 2012  
C-5 January 2013  
D-5 July 2014  
E-5 January 2015  
F-5 February 2016  
G-5 February 2017

### **SD-750**

R-5 January 2006  
R-6 December 2006  
S-5 February 2007  
T-5 January 2008  
U-5 January 2009  
V-5 March 2010  
A-5 February 2011  
B-5 January 2012  
C-5 January 2013  
D-5 January 2014  
E-5 February 2015  
F-5 July 2016  
G-5 January 2017  
H-5 January 2018  
J-5 January 2019  
K-5 January 2020  
L-5 January 2021  
M-5 January 2022

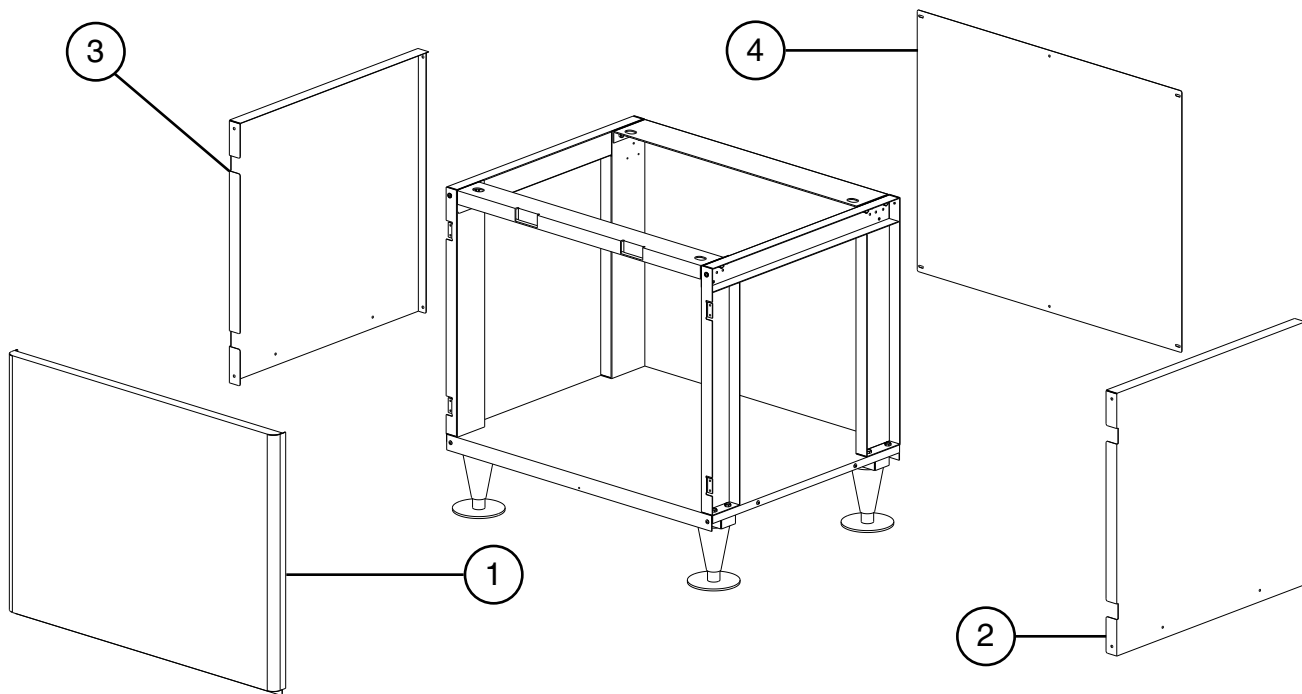
## **Auxiliary Code Breakdown**

The auxiliary code is the first two characters in the serial number. The first character indicates the year. Years progress or regress in alphabetical order. The series runs from "A" through "V" and the letters "I" and "O" are skipped. The second character indicates significant part changes within a year. Base is "5" and this number advances for each change. In cases where there is a letter in parentheses, this designates the month. This is the last character in the serial number. The series runs from "(A)" through "(M)" and the letter "(I)" is skipped. This designation is only included when identifying a parts change within an auxiliary code.

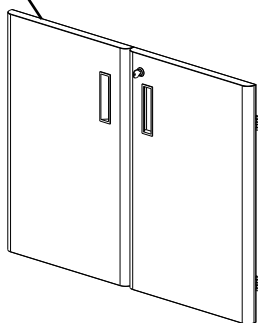
## **Note About Ordering Parts**

Most assemblies cannot be ordered as complete units; parts in the assemblies generally must be ordered separately.

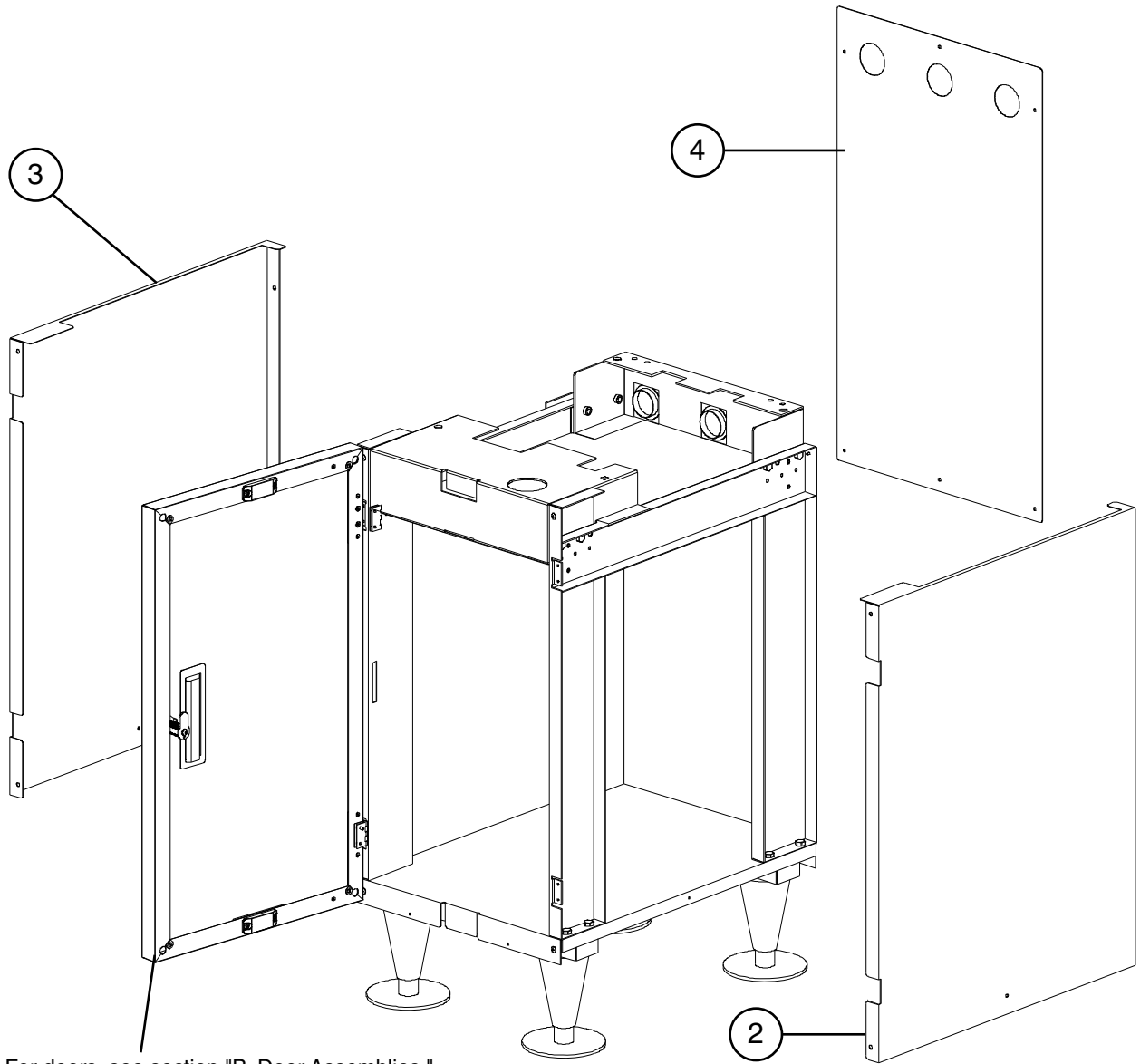
**A. Cabinet Stand Assembly**  
**SD-200, SD-450, SD-500, SD-700, SD-750**  
1/2  
R-5 to M-5



For doors, see section "B. Door Assemblies."



**A. Cabinet Stand Assembly**  
**SD-270, SD-271**  
2/2  
R-5 to M-5

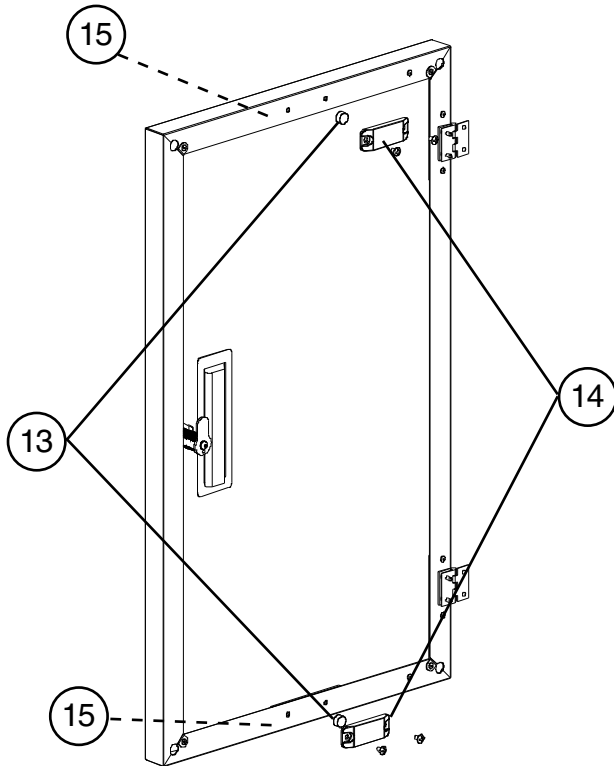
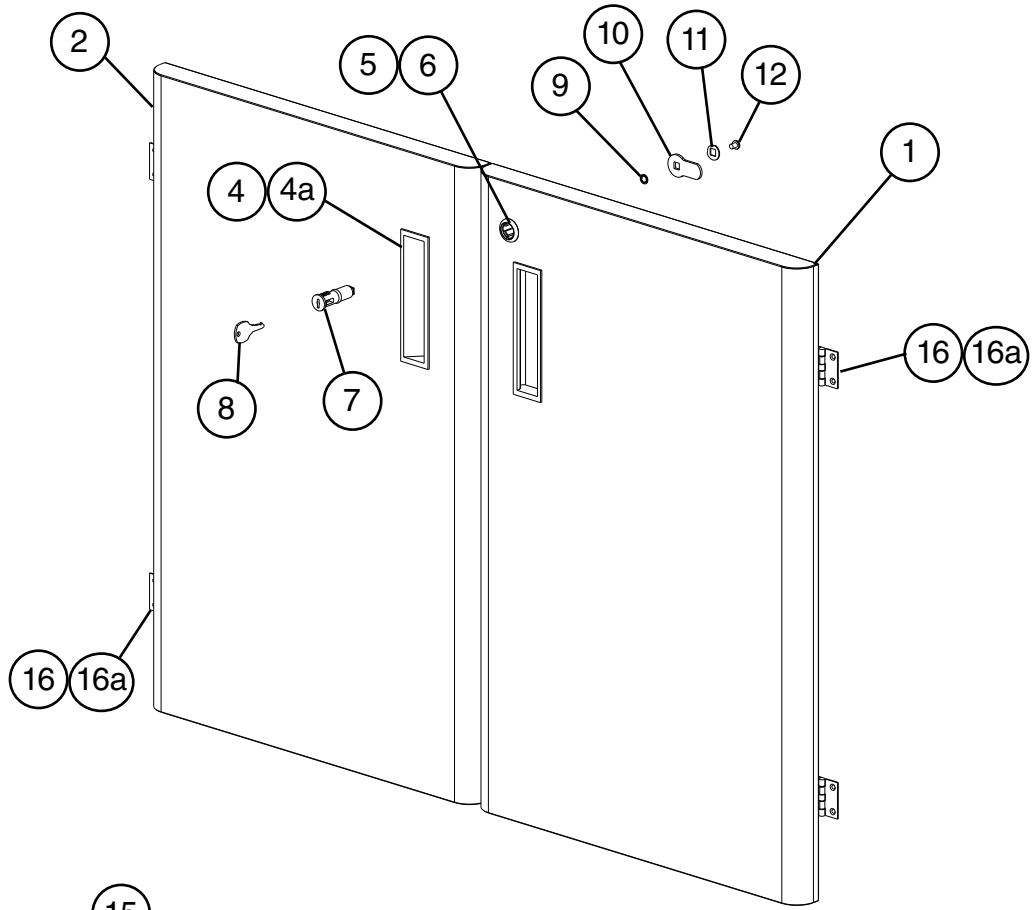


For doors, see section "B. Door Assemblies."

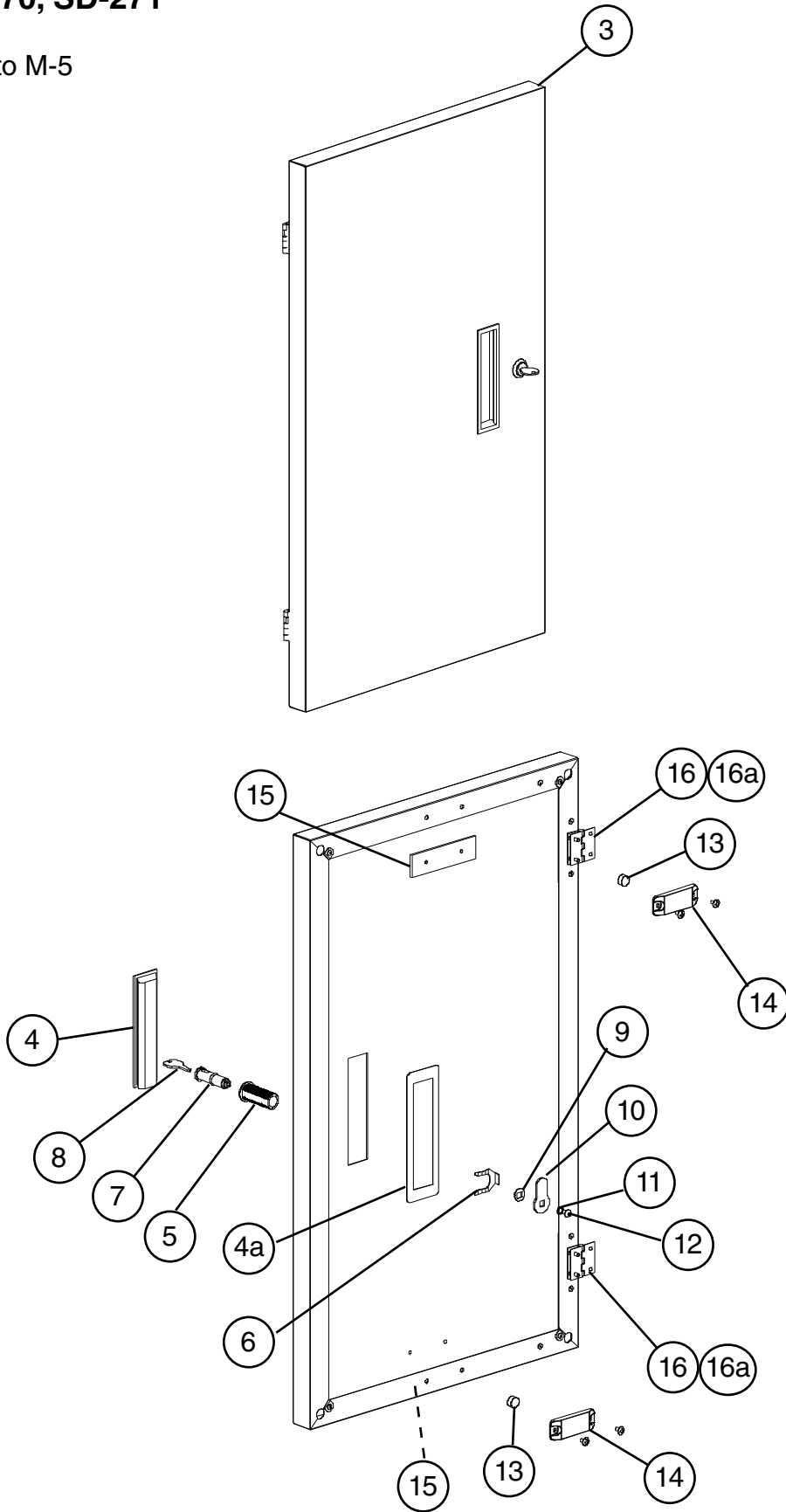
| <b>Title: A. Cabinet Stand Assembly    Model: SD-200, SD-270, SD-271, SD-450, SD-500, SD-700, SD-750</b> |                  |                          |             |            |                 |  |  |  |  |  |  |  |
|--|------------------|--------------------------|-------------|------------|-----------------|--|--|--|--|--|--|--|
| Index No.  | Description      | Material or Model Number | Part Number | R-5 to M-5 | Required Number |  |  |  |  |  |  |  |
|  |                  |                          |             |            |                 |  |  |  |  |  |  |  |
| 1  | Front Panel      | <b>SD-450</b>            | 2A8363G01   | 1          |                 |  |  |  |  |  |  |  |
|  |                  | <b>SD-700</b>            | 2A4003-01   | 1          |                 |  |  |  |  |  |  |  |
| 2  | Right Side Panel | <b>SD-200</b>            | 3A4244-01   | 1          |                 |  |  |  |  |  |  |  |
|  |                  | <b>SD-270, SD-271</b>    | 3A3765-01   | 1          |                 |  |  |  |  |  |  |  |
|  |                  | <b>SD-450 SD-500</b>     | 3A3700-01   | 1          |                 |  |  |  |  |  |  |  |
|  |                  | <b>SD-700</b>            | 3A3677-01   | 1          |                 |  |  |  |  |  |  |  |
|  |                  | <b>SD-750</b>            | 3A4244-01   | 1          |                 |  |  |  |  |  |  |  |
| 3  | Left Side Panel  | <b>SD-200</b>            | 3A4243-01   | 1          |                 |  |  |  |  |  |  |  |
|  |                  | <b>SD-270, SD-271</b>    | 3A3766-01   | 1          |                 |  |  |  |  |  |  |  |
|  |                  | <b>SD-450 SD-500</b>     | 3A3701-01   | 1          |                 |  |  |  |  |  |  |  |
|  |                  | <b>SD-700</b>            | 3A3678-01   | 1          |                 |  |  |  |  |  |  |  |
|  |                  | <b>SD-750</b>            | 3A4243-01   | 1          |                 |  |  |  |  |  |  |  |
| 4  | Rear Panel       | <b>SD-200</b>            | 3A3802-01   | 1          |                 |  |  |  |  |  |  |  |
|  |                  | <b>SD-270, SD-271</b>    | 3A3767-01   | 1          |                 |  |  |  |  |  |  |  |
|  |                  | <b>SD-450 SD-500</b>     | 3A3702-01   | 1          |                 |  |  |  |  |  |  |  |
|  |                  | <b>SD-700 SD-750</b>     | 3A3679-01   | 1          |                 |  |  |  |  |  |  |  |



**B. Door Assemblies**  
**SD-200, SD-500, SD-750**  
1/2  
R-5 to M-5



**B. Door Assemblies**  
**SD-270, SD-271**  
2/2  
R-5 to M-5



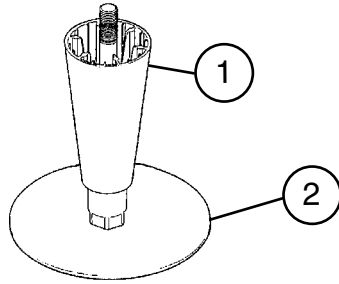
**Title: B. Door Assemblies Model: SD-200, SD-270, SD-271, SD-500, SD-750**

| Index No. | Description  | Material or Model Number     | Part Number | Required Number |            |  |  |  |  |  |  |  |  |
|-----------|--|------------------------------|-------------|-----------------|------------|--|--|--|--|--|--|--|--|
|           |  |                              |             | R-5 to J-5      | K-5 to M-5 |  |  |  |  |  |  |  |  |
| 1         | Right Door Assembly<br>(includes items 4 through 15) | SD-200                       | 3A3805A01   | 1               | 1          |  |  |  |  |  |  |  |  |
|           |  | SD-500                       | 3A3705A01   | 1               | 1          |  |  |  |  |  |  |  |  |
|           |  | SD-750                       | 3A3688A01   | 1               | 1          |  |  |  |  |  |  |  |  |
| 2         | Left Door Assembly<br>(includes items 4 through 15)  | SD-200                       | 3A3806A01   | 1               | 1          |  |  |  |  |  |  |  |  |
|           |  | SD-500                       | 3A3706A01   | 1               | 1          |  |  |  |  |  |  |  |  |
|           |  | SD-750                       | 3A3689A01   | 1               | 1          |  |  |  |  |  |  |  |  |
| 3         | Door Assembly<br>(includes items 4 through 15)       | SD-270                       | 3A3770A01   | 1               | 1          |  |  |  |  |  |  |  |  |
|           |  | SD-271                       | 3B0163A01   |                 | 1          |  |  |  |  |  |  |  |  |
| 4         | Door Handle  |                              | 4a1327-01   | 1               | 1          |  |  |  |  |  |  |  |  |
| 4a        | Door Handle Plate                                    |                              | 4A3877-01   | 1               | 1          |  |  |  |  |  |  |  |  |
| 5         | Lock Cylinder  |                              | 4A0456-01   | 1               | 1          |  |  |  |  |  |  |  |  |
| 6         | Lock Cylinder Clip                                   |                              | 4A0457-01   | 1               | 1          |  |  |  |  |  |  |  |  |
| 7         | Lock Tumbler (includes item 5)                       |                              | 4A0462-01   | 1               | 1          |  |  |  |  |  |  |  |  |
| 8         | Lock Key   |                              | 4A0460-01   | 1               | 1          |  |  |  |  |  |  |  |  |
| 9         | Lock Washer  |                              | 4A0459-01   | 1               | 1          |  |  |  |  |  |  |  |  |
| 10        | Lock Stop Washer                                     |                              | 4A0458-01   | 1               | 1          |  |  |  |  |  |  |  |  |
| 11        | Door Lock Cam  |                              | 4A0228-01   | 1               | 1          |  |  |  |  |  |  |  |  |
| 12        | Lock Screw   |                              | 4A0461-01   | 1               | 1          |  |  |  |  |  |  |  |  |
| 13        | Magnet   |                              | 4A4686-01   | 2               | 2          |  |  |  |  |  |  |  |  |
| 14        | Magnet Holder  |                              | 4Y0203-01   | 2               | 2          |  |  |  |  |  |  |  |  |
| 15        | Bracket B  |                              | 4A3899-01   | 2               | 2          |  |  |  |  |  |  |  |  |
| 16        | Door Hinge   | SD-200,<br>SD-500,<br>SD-750 | 4A3879-01   | 4               | 4          |  |  |  |  |  |  |  |  |
|           |  | SD-270,<br>SD-271            |             | 2               | 2          |  |  |  |  |  |  |  |  |
| 16a       | Flat Head Screw 4x8                                  | SD-200,<br>SD-500,<br>SD-750 | 7C22-0408   | 8               | 8          |  |  |  |  |  |  |  |  |
|           |  | SD-270,<br>SD-271            |             | 4               | 4          |  |  |  |  |  |  |  |  |

**C. Accessories**

**SD-200, SD-270, SD-271, SD-450, SD-500, SD-700, SD-750**

R-5 to M-5



| Title: C. Accessories    Model: SD-200, SD-270, SD-271, SD-500, SD-700, SD-750 |                |                          |             |                 |  |  |  |  |  |  |  |  |
|--|----------------|--------------------------|-------------|-----------------|--|--|--|--|--|--|--|--|
| Index No.  | Description    | Material or Model Number | Part Number | Required Number |  |  |  |  |  |  |  |  |
|  |                |                          |             | R-5 to M-5      |  |  |  |  |  |  |  |  |
| 1  | Adjustable Leg |                          | 4A2526-01   | 4               |  |  |  |  |  |  |  |  |
| 2  | Leg Protector  |                          | 3A0134-01   | 4               |  |  |  |  |  |  |  |  |