



# KM-1601S\_J(3)

STACKABLE CRESCENT CUBER



KM-1601S\_J(3)  
01/31/20  
Item # 13104

Item #: \_\_\_\_\_  
Project: \_\_\_\_\_  
Qty: \_\_\_\_\_  
AIA#: \_\_\_\_\_

**W x D x H**  
48" x 27<sup>3/8</sup>" x 27<sup>3/8</sup>"

Shipping Dimensions  
51<sup>3/4</sup>" x 33" x 33.5"

**KM Edge  
DESIGN**

**KM-1601SAJ**

Air-Cooled 1 Phase  
Shown on optional bin: B-900

**KM-1601SWJ**

Water-Cooled 1 Phase

**KM-1601SRJ** ★

Remote Air-Cooled 1 Phase

**KM-1601SAJ3**

Air-Cooled 3 Phase

**KM-1601SWJ3**

Water-Cooled 3 Phase

**KM-1601SRJ3**

Remote Air-Cooled 3 Phase



## Features

▶ Individual crescent cube

▶ Stainless steel evaporator

▶ CycleSaver™ design

- Up to 1671 lbs. of ice production per 24 hours
- Stackable for 3342 lbs. per 24 hours ice production in the same floor space
- Durable stainless steel exterior
- Protected by H-Guard Plus Antimicrobial Agent
- EverCheck™ alert system
- R-404A Refrigerant

Available on Bins:

**B-800**    **B-1150SS**    **B-1500SS**    *Top kit may be required.*  
**B-900**    **B-1300SS**    **B-1650SS**    *See Bin Spec Sheets.*

Warranty:

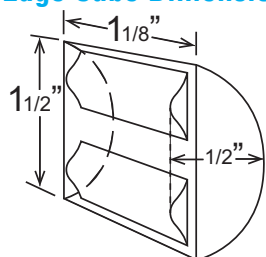
Valid in United States, Canada, Puerto Rico and U.S. Territories.  
Contact factory for warranty in other countries.

| Condenser | Model  | ICE PRODUCTION               |          | WATER USAGE                              |  |                                      | ELECTRICAL                                   |          |         |  |                              |                              |  |           |
|-----------|--------|------------------------------|----------|--|--|--------------------------------------|--|----------|---------|--|------------------------------|------------------------------|--|-----------|
|           |        | Air / Water Temp<br>70°/50°F | 90°/70°F | Potable<br>Gal. per 100 lbs.<br>90°/70°F | Condenser<br>Gal. per 100 lbs.<br>90°/70°F | kWh Used<br>per 100 lbs.<br>90°/70°F | Max. Fuse Size<br>or HACR<br>Circuit Breaker | Amperage | Voltage | Circuit<br>Wires<br>(including ground) | Heat<br>Rejection<br>BTU/hr. | Refrigerant<br>Charge Amount | Net / Ship<br>Weight (lbs.)                      |           |
| 1 Phase   | Air    | KM-1601SAJ                   | 1513     | 1433                                     | 21.0                                       | N/A                                  | 4.24   | 20A      | 15.9A   | 208-230V/60/1                          | 4*                           | 18,500                       | 5 lbs. 1.1 oz.                                   | 275 / 345 |
|           | Water  | KM-1601SWJ                   | 1660     | 1650                                     | 19.7                                       | 100                                  | 3.30   | 20A      | 13.6A   | 208-230V/60/1                          | 4*                           | 21,300                       | 2 lbs. 10.3 oz.                                  | 310 / 335 |
|           | Remote | KM-1601SRJ                   | 1640     | 1600                                     | 17.6                                       | N/A                                  | 3.96   | 20A      | 15.9A   | 208-230V/60/1                          | 4*                           | 21,200                       | 15 lbs. 3.4 oz.<br>22 lbs. 14.8 oz. <sup>1</sup> | 300 / 315 |
| 3 Phase   | Air    | KM-1601SAJ3                  | 1513     | 1414                                     | 21.0                                       | N/A                                  | 4.40   | 20A      | 12.9A   | 208-230V/60/3                          | 4                            | 16,400                       | 5 lbs. 1.1 oz.                                   | 275 / 350 |
|           | Water  | KM-1601SWJ3                  | 1671     | 1660                                     | 18.5                                       | 90                                   | 3.32   | 20A      | 8.8A    | 208-230V/60/3                          | 4                            | 19,900                       | 2 lbs. 10.3 oz.                                  | 310 / 345 |
|           | Remote | KM-1601SRJ3                  | 1635     | 1600                                     | 18.0                                       | N/A                                  | 4.14   | 20A      | 12.8A   | 208-230V/60/3                          | 4                            | 20,000                       | 15 lbs. 3.4 oz.<br>22 lbs. 14.8 oz. <sup>1</sup> | 300 / 355 |

\*If neutral is not available, transformer kit (HS-5030) is required. Refer to Instruction Manual for installation and electrical requirements.

<sup>1</sup>with condenser  
Power cord not included

### KM Edge Cube Dimensions\*



\* approximate size in inches, image not to scale

### Operating Limits

- Ambient Temp Range 45 - 100°F
- Water Temp Range 45 - 90°F
- Water Pressure 10 - 113 PSIG
- Voltage Range 187 - 253V

### Service

- Panels easily removed and all components accessible for service.
- Allow 9" (23 cm) clearance at rear, sides, and top for proper air circulation and ease of maintenance/service.

### Plumbing

- Icemaker Water Supply Line: Min. 3/8" Nominal ID Copper Water Tubing or Equivalent
- Icemaker Drain Line: Min. 3/4" Nominal ID Hard Pipe or Equivalent **Water-Cooled Model (Lines Must Be Independent of Icemaker)**
- Condenser Water Supply Line: Min. 3/8" Nominal ID Copper Water Tubing or Equivalent
- Condenser Drain/Return Line: Min. 3/8" Nominal ID Hard Pipe (open drain system) or Copper Water Tubing (closed loop system) or Equivalent

### Water Filter

Please refer to water filter spec sheet for recommended configurations.

Hoshizaki reserves the right to change specifications without notice.



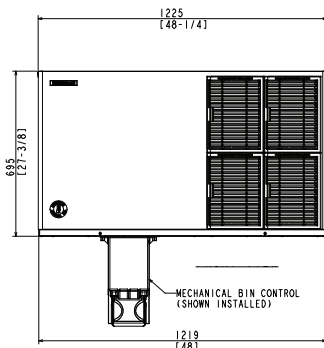
# KM-1601S\_J(3)

## STACKABLE CRESCENT CUBER

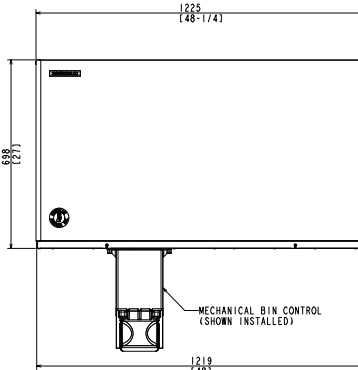


KM-1601S\_J  
01/31/20  
Item # 13104

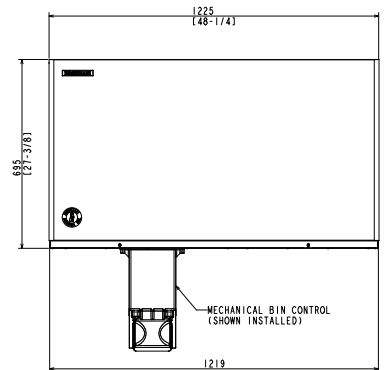
FRONT VIEW



AIR-COOLED

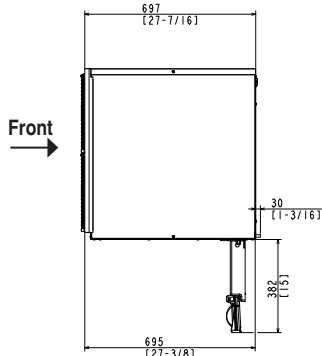


WATER-COOLED

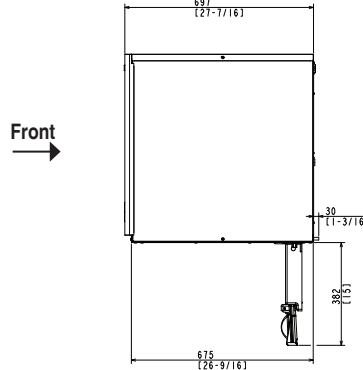


REMOTE AIR-COOLED

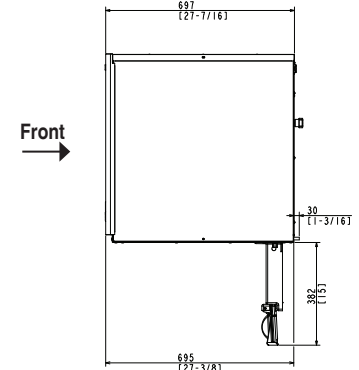
SIDE VIEW



AIR-COOLED

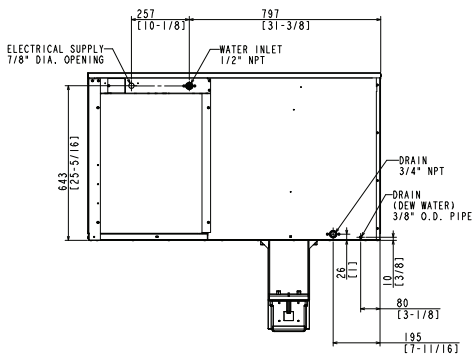


WATER-COOLED

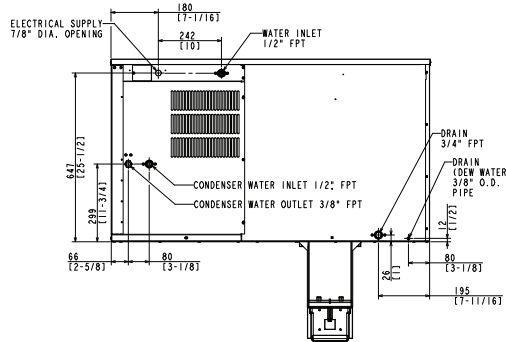


REMOTE AIR-COOLED

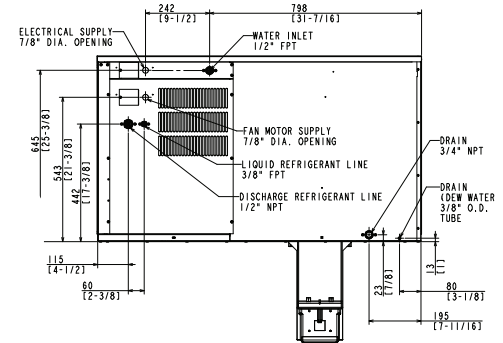
REAR VIEW



AIR-COOLED

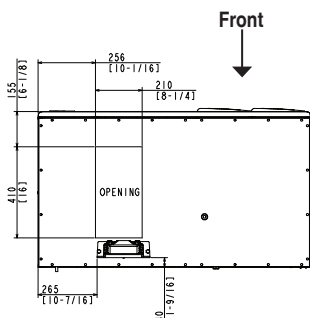


WATER-COOLED

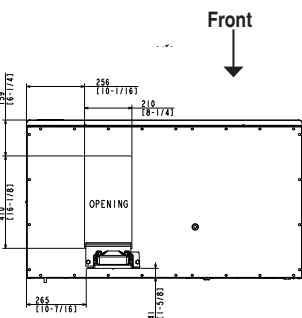


REMOTE AIR-COOLED

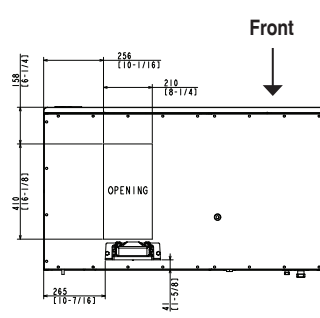
BOTTOM VIEW



AIR-COOLED

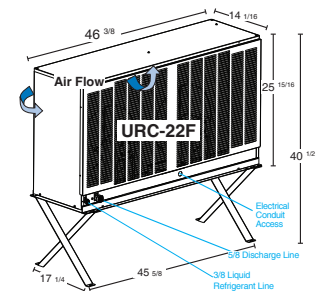


WATER-COOLED



REMOTE AIR-COOLED

**URC-22F Remote Condenser (Sold Separately)**  
(W x D x H) 46 3/8 X 14 1/16 X 40 1/2  
For Use with KM-1601SRJ3)



**Pre-Charged Tubing Kits (Sold Separately)**  
20' R404-20610  
35' R404-35610  
55' R404-55610



Voltage supply for the URC Remote Condenser is supplied from the Ice Maker. No additional circuit is required.