

# NEO® 310 Undercounter Ice Machines

NEO® 310 Undercounter Ice Machines

## Models

- URF-0310A       UDF-0310W       UYF-0310W  
 UDF-0310A       UYF-0310A



U-310

- Up to 295 lbs (134 kg) of daily ice production
  - 30" (76.20 cm) wide, 28.50" (72.4 cm) deep, and 38.50" (97.8 cm) high on 6" (15.24 cm) legs
  - Cabinet volume 3.99 ft<sup>3</sup> (0.113 m<sup>3</sup>)
  - 119 lb. (54 Kg) ice storage capacity\*
- \* Application capacity based on: 90% volume x 33lbs/ft<sup>3</sup> average density of ice.

NEO undercounter ice machines are designed to provide ice right where you need it – within reach. Improvements in **Performance, Intelligence** and **Convenience** make your ice machine easy to own and less expensive to operate.

**Performance** – NEO produces more ice than ever before while using less water and energy. The storage bin provides industry leading capacity.

**Intelligence** – NEO provides feedback with full bin and service indicators. Delay function allows you to pause your machine for slow periods or days when you're closed.

**Convenience** – NEO offers a forward-sliding storage bin for easy access to refrigeration components without having to move the entire ice machine. Smooth, sealed food-zone with removable water trough, distribution tube, and damper door for faster cleaning. AlphaSan added to key internal components.

Available **LuminIce® Virus and Bacteria Inhibitor** controls viruses, bacteria, mold and yeast within the food zone to keep the machine clean longer.

## Specifications

<b>BTU Per Hour:</b> 4,600 (average) 5,450 (peak)	<b>Operating Limits:</b> • Ambient Temperature Range: 40° to 110°F (4.4° to 43.3°C) • Water Temperature Range: 45° to 90°F (4.4° to 32.2°C) • Water Pressure Ice Maker Water In: Min. 20 psi (137.9 kPa) Max. 80 psi (551.1 kPa) • Condenser Inlet Water In: (Water-cooled only) Min. 20 psi (137.9 kPa) Max. 150 psi (1,034.2 kPa)
<b>Compressor:</b> Nominal rating: .75 HP <b>Cupra-Nickel Condenser:</b> (Water-cooled models) Adds protection from corrosive water elements.	
<b>Refrigerant:</b> R-404A	



## Ice Shape



**Half Dice**  
 $\frac{3}{8}$ " x  $1\frac{1}{8}$ " x  $\frac{7}{8}$ "  
 (.95 x 2.86 x 2.22 cm)



**Dice**  
 $\frac{7}{8}$ " x  $\frac{7}{8}$ " x  $\frac{7}{8}$ "  
 (2.22 x 2.22 x 2.22 cm)



**Regular**  
 $1\frac{1}{8}$ " x  $1\frac{1}{8}$ " x  $\frac{7}{8}$ "  
 (2.86 x 2.86 x 2.22 cm)

## Ice Machine Electric

115/60/1. (208-230/60/1 and 230/50/1 available.) 115/60/1 ice machines are factory pre-wired with a 6' (180 cm) power cord and NEMA 5-15P-plug configuration. 208-230/60/1 ice machines are factory pre-wired with a 6' (180 cm) power cord only, no plug is supplied.

**Total Amps:**  
 115/60/1 Air-cooled and Water-cooled: 10 amps  
 208-230/60/1 Air-cooled: 4.5 amps

**Maximum fuse size:**  
 Air and Water-cooled: 15 amps  
 HACR-type circuit breakers can be used in place of fuses.



UL STD 563  
 CAN/CSA-C22.2 No. 120

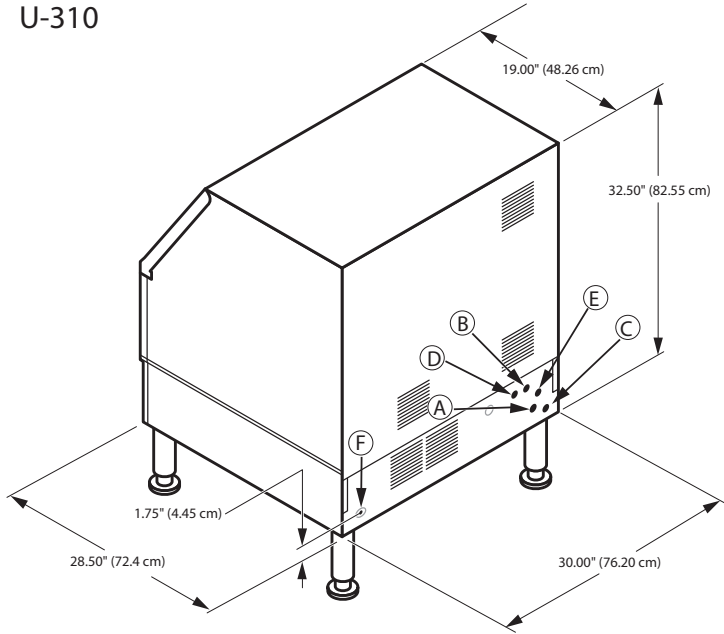


SANITATION  
 NSF/ANSI STD 12



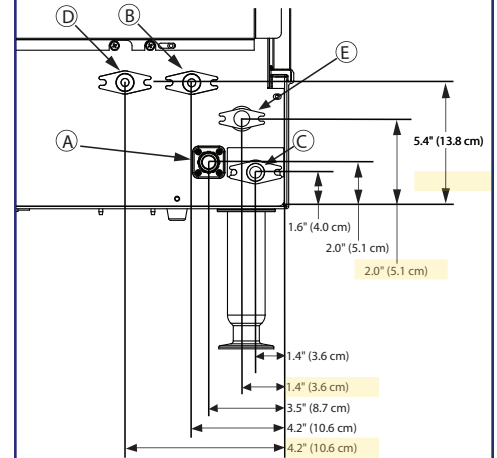


## U-310



**Installation Note** Recommended clearance for top, sides, and back is 5" (12.7 cm) however, there is no minimum clearance required.

- Ⓐ 3/8" (0.95 cm) F.P.T. Ice Making Water Inlet
- Ⓑ 1/2" (1.27 cm) F.P.T. Ice Making Water Drain
- Ⓒ 1/2" (1.27 cm) F.P.T. Bin Drain
- Ⓓ 3/8" (0.95 cm) F.P.T. Condenser Water Inlet
- Ⓔ 1/2" (1.27 cm) F.P.T. Condenser Water Drain
- Ⓕ Electrical Entrance



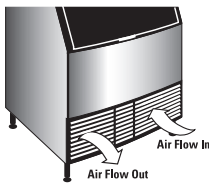
## Specifications

Model	Ice Shape	Ice Production 24 Hours				Power kWh/ 100 lbs. @ 90°/70°F 32°/21°C	Potable water usage gal/100 lbs. ice @90/70°F
		70°Air/50°F Water 21°Air/10°C Water		90°Air/70°F Water 32°Air/21°C Water			
URF-0310A	regular	278 lbs	126 kg	221 lbs	100 kg	7	15.5
UDF-0310A	dice	286 lbs	130 kg	233 lbs	106 kg	7	15.5
UDF-0310W	dice	295 lbs	134 kg	252 lbs	114 kg	5.6	15.5
UYF-0310A	half-dice	290 lbs	132 kg	235 lbs	107 kg	7.2	15.5
UYF-0310W	half-dice	293 lbs	133 kg	267 lbs	121 kg	5.5	15.5

Water-cooled condensers Water Usage / 100 lbs/45.4 kgs. of Ice: 183 gal./693 liters

Standard 6" / 15.24 cm adjustable flange foot - gray painted legs included.  
Standard plastic NEO ice scoop included.

### Air Flow



Air in right, air out left, no side vents. Great for installation under countertops and next to other equipment.

### Removable Bin



### Air Filter



Simple, tool-free removal for quick access during routine cleaning and maintenance.